



FHSCP-UNV-10W-L-SD



Emergency LED Driver

- Universal Voltage: 120-277VAC, 50/60Hz
- Output Voltage Range: 15-55V $\overline{\text{---}}$
- Output Current: 181-666mA
- Output Wattage: 10W
- Output Type: LED Class 2
- Number of Output Channels: 1 Channel
- Dry and Damp

General Specifications

Input Voltage / Frequency	120-277VAC , 50/60Hz
Input Current	0.1A
Input Power	5W Typical
Maintain Power	<0.85W
Input Power Pass-Through Rating (AC Driver Line)	5A
Max Output Rating (LED+ LED- Terminal)	3A Max
	55V Max
White/Black Lead	2A Max
Output Power	Typical 10W
Output Current Rated	181-666mA
Output Voltage Range	15 - 55V $\overline{\text{---}}$
Number of Output Channels	1 Channel
Test Switch	Bi-Color
Input Surge Protection	3KV/6KV Ring wave, 1KV/2KV Combine surge
Protections	Output Open Protection Output Overload Protection Output Short Circuit Protection
RFI/EMI	FCC Part15A
Ambient Operating Temperature Rang	0°C To 55°C (32°F To 131°F°)
Tc	62°C (143. 6°F)
Sound Rating	A
Battery Type	Lithium-ion
Battery Voltage	10.95V
Pack Capacity	2600mAh
Battery Rating	28.47Wh
Battery Count	3 Cells
Battery Recharge Time	24 Hours
Battery Discharge Time	1.5 Hours Min.
IP Rating	IP20
Test Switch Remote Mounting Distance	20' (6m) Max.
Service Life	50,000 hours @62°C (143. 6°F)
Warranty	@62°C (143. 6°F) 5 Years From the date of manufacture when properly installed
Safety Standard	UL 924, UL 1310, CSA C22.2 No.141

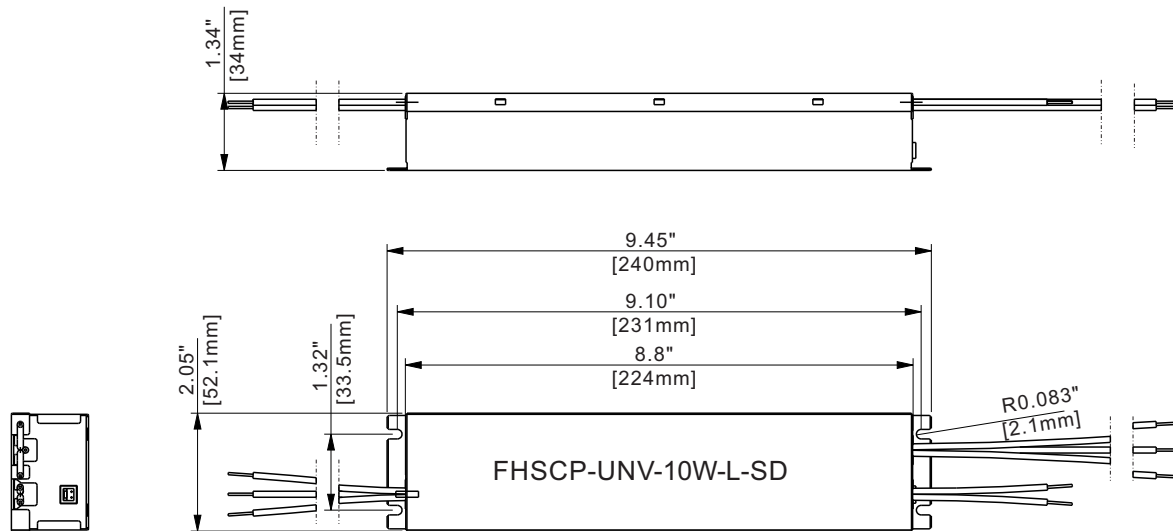


FHSCP-UNV-10W-L-SD



Mechanical Data

Overall Dimensions	
Length	9.45" (240mm)
Width	2.05" (52.1mm)
Height	1.34" (34mm)



Tolerance=0.02"

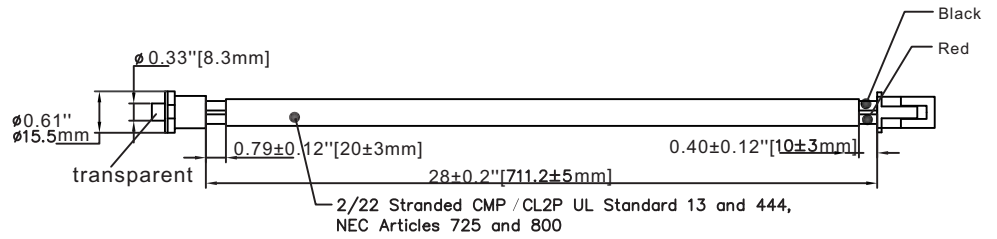


FHSCP-UNV-10W-L-SD



Accessories

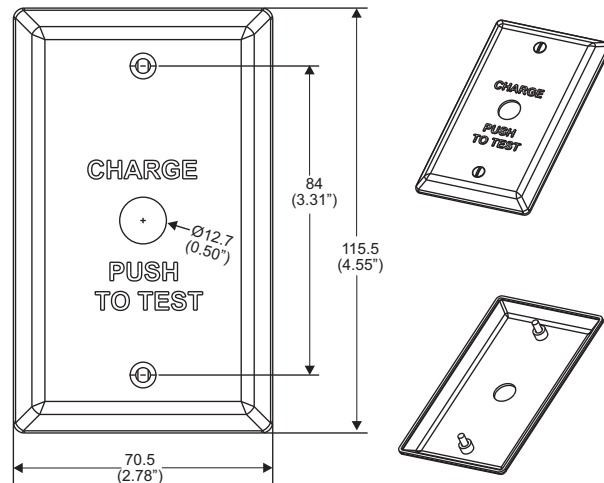
Test switch wire



Wall Plate: FHSWLPWH



Wall plate and screw color:
white with black lettering



Wall Plate: FHSWLPPWH(Pure White Wall Plate)



Wall plate and screw color:
Pure white with black lettering

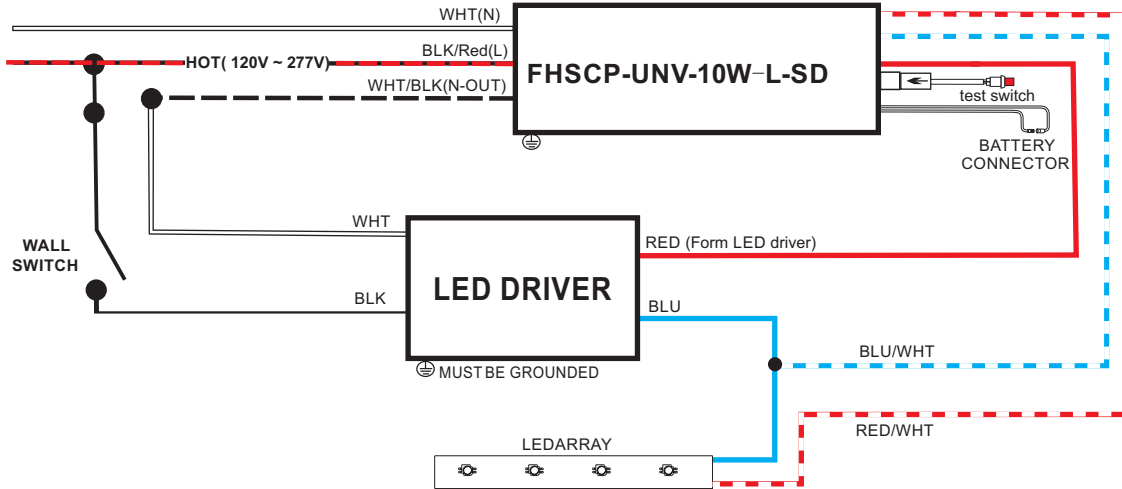
1. "Charge push to Test" plate
2. (2) 6-32 x 1/2" LG mounting screws



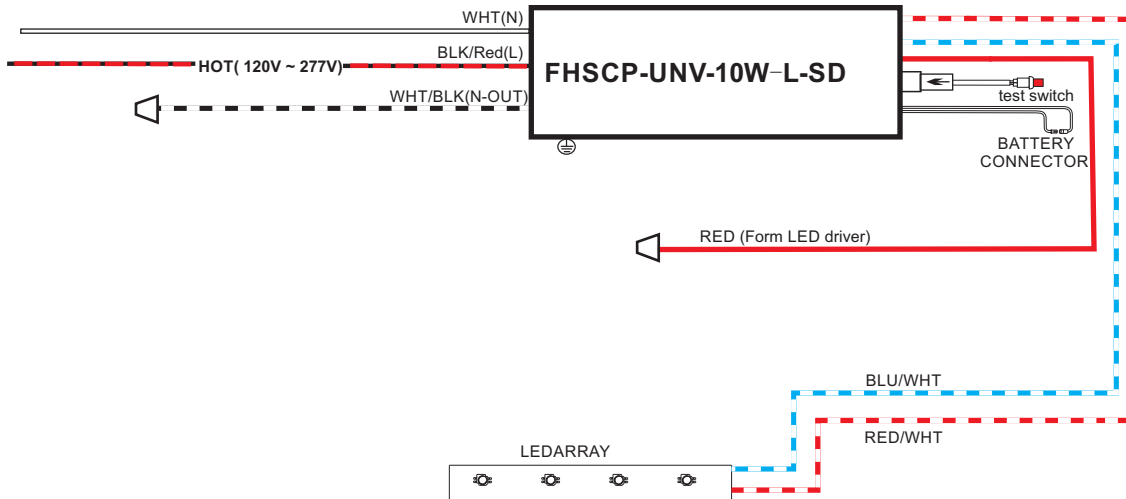
FHSCP-UNV-10W-L-SD



Wiring Diagram



Wiring Diagram (Emergency Only)





FHSCP-UNV-10W-L-SD



SELF-DIAGNOSTIC INSTRUCTIONS / OPERATION:

If the self-diagnostic feature is enabled:







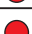
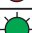


The emergency LED driver will conduct a self-check for sixty(60) seconds every thirty(30) days; and a ninety(90) minutes self-check every 12 months. After every self-check the LED indicator light will indicate a status signal. Check indicator status chart below to diagnose the status signal.

If the self-diagnostic feature is disabled:

User must conduct a manual test every thirty (30) days to ensure the emergency LED light source illuminates as intended. A full discharge test shall be conducted once a year; the LED light source shall illuminate for a minimum of ninety (90) minutes.

***Self-Diagnostic feature is factory enabled**

TEST SWITCH INDICATOR STATUS:

LED Indicators Status	EM Driver Status / Mode
 Solid Green	System OK / AC OK (Self-Diagnostic Enabled or Disabled)
 Slow Flashing Red, 4s on / 1s off	Battery NOT detected, check battery switch or connection
 Flashing Red, 1s on / 1s off	Battery Failure, replace battery
 Flashing Green, 1s on / 1s off	Self-Diagnostic test underway
 Slow Flashing Green, 0.1s on / 3s off	Normal working in EM mode
 Solid Red	No load or output over voltage protection triggered , Check LED connection
 Solid Red	Over Current Protection
 Flashing Green, 2s on / 0.5s off	Enables Self-diagnosis
 Flashing Green, 0.5s on / 2s off	Cancel Self-diagnosis
 Flashing Red, 0.5s on / 3s off	Abnormal Power-on Under Self-diagnosis / Battery Voltage abnormal

TEST SWITCH OPERATIONS

EM Test:

Press and hold the test button (>1s) to enter EM mode in normal AC powered.

Manual Self-Diagnostic:

After charging twelve (12) hours at least, quickly press the test button three(3) times to force the controller to enter Self-Diagnostic cycle. To quit the Self-Diagnostic cycle after engaged, press and hold the test button for three (3) seconds.

Query Self-Diagnostic Status:

Fast click 2 times within 2s to query the Self-Diagnostic status. The indicator would blink for current status for 3 cycles. 2s ON / 0.5s OFF stands for Enabled. 0.5s ON / 2s OFF stands for Disabled.

How to Enable and Disable Self-Diagnostic Status:

Press and hold the test button for one second, then release, and press and hold the test button for 2 seconds.

Cancel reporting error:

In standby, press and hold the button for about 5s to cancel the error indication.

Emergency Battery Disconnect:

Press and hold the test switch for 5 seconds during EM output condition to turn off EM output. This is useful for production environment to turn off the EM output once a luminaire has completed functionality testing.



FHSCP-UNV-10W-L-SD

Guidelines

Grounding

- Driver must be grounded by means of the Driver case.

LED Load

- Fulham's Hotspot Constant Power Emergency LED drivers are designed to drive passive LED's, COB's and LED assemblies. Proper function is not guaranteed when (LED) loads with active components are used.

Mounting and cooling

- Above an output power of 10W, the driver need to be mounted on a heat conductive surface of at least 100cm². Always test if the surface is sufficient enough before installing the LED driver.

Short Circuit Protection

- In case of a short circuit the LED driver switches to protection mode. After removal of the short-circuit the LED driver will recover automatically.

No Load Operation

- In no-load operation the output voltage will not exceed the specific open circuit output voltage.

Hot Swapping

- This driver does not support the hot swapping og the LED's.

Remote Mounting

- up to 20ft with 18AWG wire. Contact Fulham for higher remote distance.

Warranty

- Reference Fulham's limited Warranty: <https://cdn.fulham.com/PDFs/Limited-Warranty.pdf>



FHSCP-UNV-10W-L-SD



Part Number Matrix

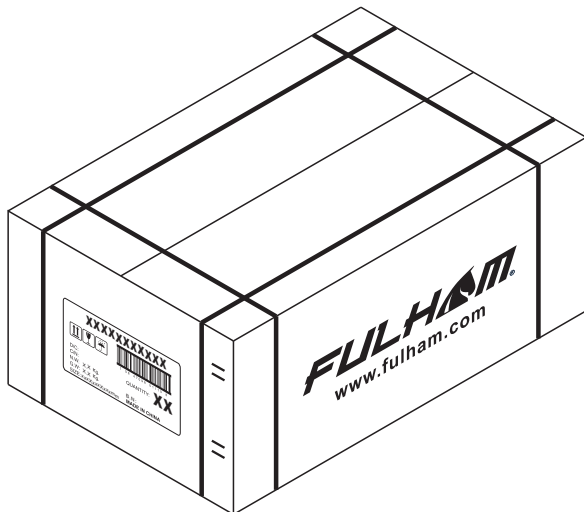
FHS	CP	UNV	10W	L	SD
<u>LED Driver</u>	<u>Driver Type</u>	<u>Input Voltage</u>	<u>Max Output Power</u>	<u>Case Type</u>	<u>Special Features</u>
FHS = FireHorse HotSpot Driver	CP = Constant Power	UNV = 120V-277V	10W = 10 Watts	L = Long Case	SD = Self Diagnostic

Product Image: FHSCP-UNV-10W-L-SD



Packaging

Master Carton



OUTER DIMENSION		
L	W	H
464mm (18.27")	364mm (14.33")	193mm (7.60")
Net Weight	Gross Weight	QUANTITY
9.8KG 21.60lbs	11.5KG 25.35lbs	20