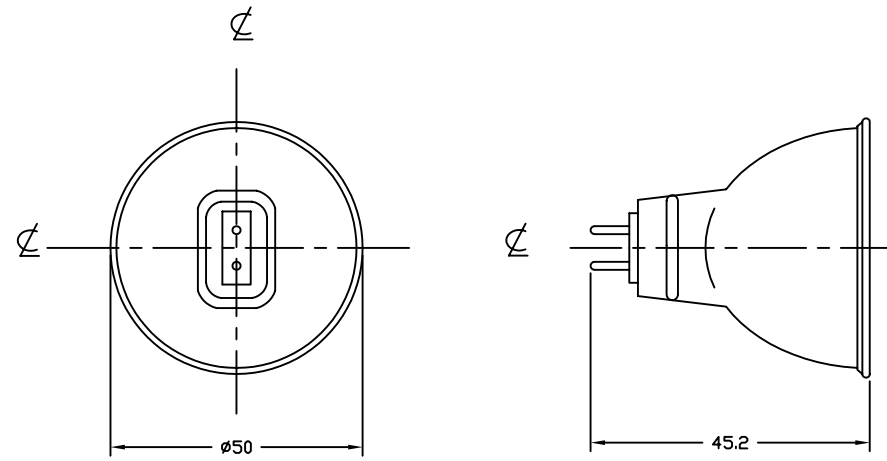


REVISIONS			
REV	DESCRIPTION	DATE	APPROVED



NOTES:

1. ALL DIMENSIONS ARE IN MM.
2. SEAL TEMP: SHOULD BE MAINTAINED BELOW 350°C
3. THE DIMENSIONS AND SPECIFICATIONS OF PRODUCT LISTED IN THIS SHEET ARE SUBJECT TO CHANGE WITHOUT NOTICE FOR IMPROVEMENT.

CHARACTERISTICS	
VOLTAGE	12 V
WATTAGE	50W
COLOR TEMP	N/A
AVERAGE LIFE	4000 HRS
BASE TYPE	GU5.3
MAX CP	5500 cd
FILAMENT TYPE	C-8
BURN POSITION	Any

ITEM	QTY	DESCRIPTION	CODE IDENT	PART NUMBER	REMARKS
LIST OF MATERIALS					
UNLESS OTHERWISE SPECIFIED DIMENSIONS ARE IN INCHES		CONTRACT NO.		USHIO AMERICA, INC. 5440 Cerritos Avenue Cypress, CA 90630	
DECIMALS .X ± - .XX ± - .XXX ± - ANGLES ± - DRILLED HOLES PER AND 10387 REMOVE BURRS AND SHARP EDGES ALL DIMENSIONS AFTER PLATING		APPROVALS			
MATERIAL		DATE		TITLE FNE/FG JR12V-50W/FG	
COMPOSITE		DRAWN R.AMPARO 09/07/99 CHKD D.GILCZYNSKI 09/07/99 ENGR MFG			
FINISH		QUAL		SIZE B CODE IDENT NO. FNE DWG NO. 1000584	
APPLICATION		DSGN ACTVY		SCALE NONE WEIGHT SHEET 1 OF 1	
		GOV'T ACTVY			