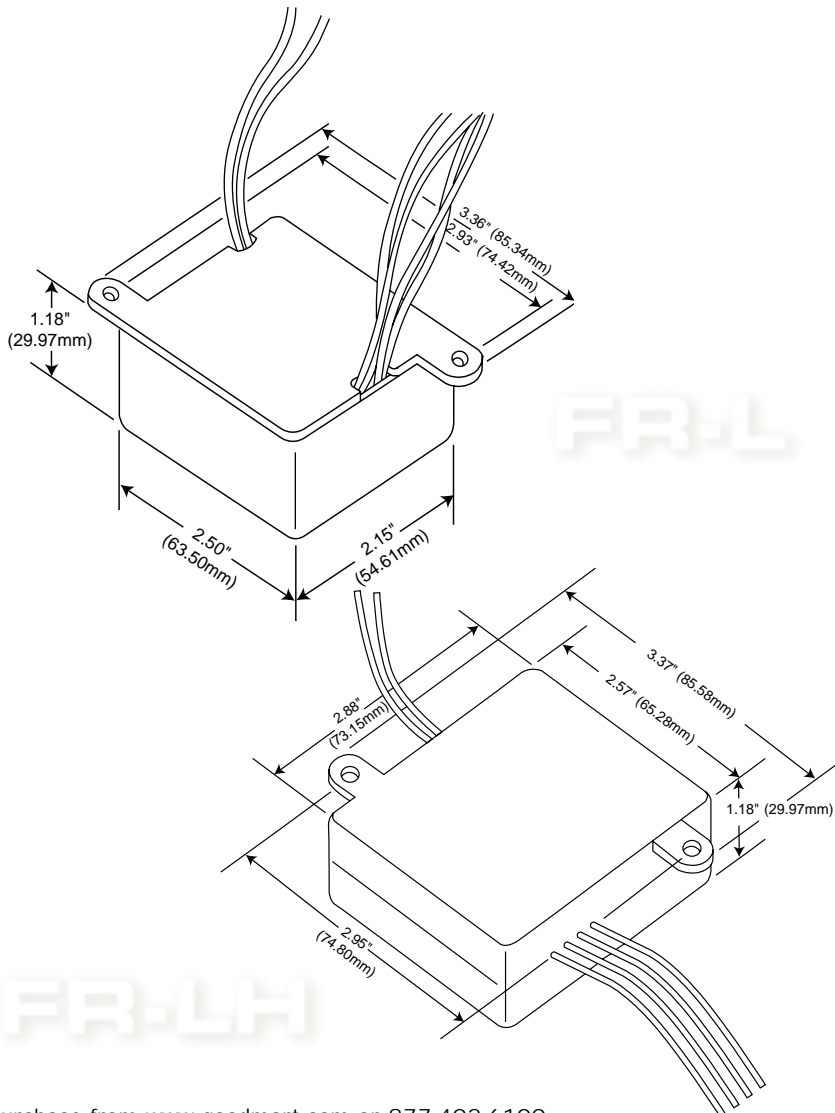


HATCH


10 TO 38 WATT 1-LAMP "FR" SERIES COMPACT FLUORESCENT BALLAST




Compact Fluorescent Hardwire Ballast Features:

- Auto Restart After Hot Relamp
- Deactive Lamp Protection Circuit
- Flicker Free Operation
- High Power Factor
- Low THD
- 100% Factory Tested
- High Reliability
- No Audible Noise
- True Preheat Starting
- No Starting Aid Required
- Energy Efficient
- High Frequency Operation
- Solid State
- Moisture and Shock Resistant
- No PCBs

Environmental Specifications

Maximum Case Temperature	70°C at "T" point
Minimum Starting Temperature	-25°C
Sound Rating	A+
Operating Humidity	95% relative humidity, non-condensating
Environmental Protection	Epoxy Sealed for moisture resistance and shock vibration resistance
Safety Listing	 Class P Type 1 outdoor

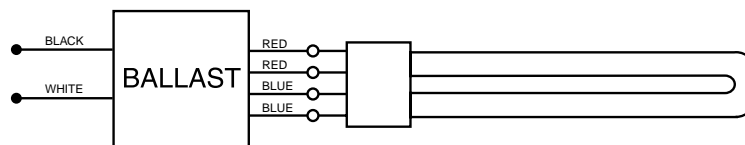
Electrical/Mechanical Specifications

Input Voltage	120V 50/60 Hz
.....	230V 50 Hz (special order)
.....	277V 60 Hz
Color	White
Weight	FRL-5.0 oz./ FRLH-6.0 oz.
Operating Frequency	50 KHz +
Power Factor	≥ 0.99
Total Harmonic Distortion	5-13% depending on lamp/ballast combination
Deactive Lamp Protection	Yes
Auto Restart After Hot Relamp	Yes
Current Crest Factor	≤ 1.7
Open Circuit Protected	Yes
RFI Suppression	Yes
Input Leads	10 ⁵ / ₈ " 18 AWG solid 105 degree C stripped ³ / ₈ "
Output Leads	10 ⁵ / ₈ " 18 AWG solid 105 degree C stripped ³ / ₈ "
Meets ANSI 15 C62.41, ANSI C82.1 CLASS P	
Safety Agency	 US LISTED

HATCH

1-LAMP "FR" SERIES 10 TO 38 WATT

Watts	GE2D	GE BIAx	OSRAM	PHILIPS	No. Lamps	Input Volts	Input Amps	Case Style	Hatch Item Number
10	F10/2D/4P	F10DBX	CF10DD/E DULUX D/E 10		1	120	0.11	FR-LH FR-L	FR1000LH FR1000L
						230	0.06	FR-LH	FR1000-230
						277	0.05	FR-LH FR-L	FR1000-277 FR1000-277L
13		F13DBX F13TBX	CF13DD/E DULUX D/E 13	PL-C 13W/4P	1	120	0.13	FR-LH FR-L	FR1300LH FR1300L
						230	0.07	FR-LH	FR1300-230
						277	0.06	FR-LH FR-L	FR1300-277 FR1300-277L
18	F16/2D/4P	F18DBX F18TBX	CF18DD/E CF18DT/E/IN DULUX D/E 18 DULUX T/E/IN18	PL-C 18W/4P PL-T 18W/4P	1	120	0.15	FR-LH FR-L	FR1800LH FR1800L
						230	0.08	FR-LH	FR1800-230
						277	0.07	FR-LH FR-L	FR1800-277 FR1800-277L
21	F21/2D/4P				1	120	0.17	FR-LH FR-L	FR2100LH FR2100L
						230	0.10	FR-LH	FR2100-230
						277	0.08	FR-LH FR-L	FR2100-277 FR2100-277L
26	F28/2D/4P	F26DBX F26TBX	CF26DD/E CF26DT/E/IN DULUX D/E 26 DULUX T/E/IN 26	PL-C 26W/4P PL-T 26W/4P	1	120	0.21	FR-LH FR-L	FR2600LH FR2600L
						230	0.11	FR-LH	FR2600-230
						277	0.10	FR-LH FR-L	FR2600-277 FR2600-277L
32		F32TBX	CF32DT/E/IN DULUX T/E/IN 32	PL-T 32W/4P	1	120	0.26	FR-LH FR-L	FR3200LH FR3200L
						230	0.14	FR-LH	FR3200-230
						277	0.12	FR-LH FR-L	FR3200-277 FR3200-277L
38	F38/2D/4P		FT36 DL		1	120	0.31	FR-LH FR-L	FR3800LH FR3800L
						230	0.16	FR-LH	FR3800-230
						277	0.14	FR-LH FR-L	FR3800-277 FR3800-277L



WIRING DIAGRAM

Purchase from www.goodmart.com or 877-402-6100

Specifications subject to
change without notice.
305