

**CONTRACTOR XP**



(Images are shown for illustration purposes only)

Project:  
Product #:  
Type:

### KEY FEATURES

- Power & CCT selectable, high efficiency flood light.
- Selectable distribution - 55°, 75°, and 90°.
- 5 year warranty.
- Preinstalled photocell.
- 0-10V dimming.



### SPECIFICATIONS

**Housing**

Die cast aluminum.

**Ambient Temperature**

Suitable for use in -40° C to 40° C (-40° F to 104° F).

**Finish**

Dark bronze and white.

**Mounting**

1/2" Knuckle, Slipfitter, and Trunnion.  
NOTE: 2 mounting options are included in the box (See ordering guide for details).

**Efficacy**

Up to 171 lumens per watt.

**Distribution**

Field Selectable: 55°, 75°, and 90°.

**CCT and CRI**

Field selectable - 3000K, 4000K, 5000K - 80 CRI

**Lumen Output**

Field Selectable: 1,990 - 21,960 Lumens, 12 - 150 W.

**Lifespan**

L70 > 100,000 hours @ 25°C.

**Electrical**

Standard 120-277Vac. PF > 90%. THD <20%. 0-10V dimming, 100 - 10% dimming.

**Warranty**

5-year limited warranty. Comprehensive warranty terms can be located on www.slgus.com.

**Certifications**

UL Listed for wet locations. FCC compliant. Design Lights Consortium® (DLC) 5.1 Premium qualified product pending.

### ORDERING GUIDE

Example: FSS LS45 SD G2 FSK

Fixture Type	Selectable Lumen Output	Distribution	Generation	Voltage	CCT	Finish	Mount*	Photocell
• FSS LED Flood Light	<ul style="list-style-type: none"> <li>• <b>LS45</b> 1,990 Lm / 12 W 2,860 Lm / 18 W 3,720 Lm / 24 W 4,500 Lm / 30 W</li> <li>• <b>LS130</b> 5,930 Lm / 36 W 8,520 Lm / 54 W 11,030 Lm / 72 W 13,280 Lm / 90 W</li> </ul>	• <b>SD</b> Selectable Distribution - 55°, 75°, 90°	• <b>G2</b> Second Generation	• <b>BLANK</b> 120-277V	• <b>FSK</b> 3000K 4000K 5000K - CRI 80	• <b>BLANK</b> Dark Bronze • <b>W</b> White	• <b>BLANK</b> 1/2" Knuckle & Trunnion Mount	• <b>BLANK</b> Preinstalled photocell
	<ul style="list-style-type: none"> <li>• <b>LS220</b> 9,770 Lm / 60 W 14,270 Lm / 90 W 18,410 Lm / 120 W 21,960 Lm / 150 W</li> </ul>						• <b>BLANK</b> Trunnion & Slipfitter Mount	

\*Please note: 2 mounting options are included with every flood light.

For stocking opportunities please reach out to your local SLG Lighting rep or contact sales@slgus.com.

Leadtimes may vary based on current inventory levels - always consult your local SLG Lighting rep for leadtimes and project needs.

### ACCESSORIES

Tenon Adaptors
<ul style="list-style-type: none"> <li>• <b>4S0-SP-D</b> Mount for 4" square pole, vertical tenon.</li> <li>• <b>5S0-SP-D</b> Mount for 5" square pole, vertical tenon.</li> <li>• <b>SP-TR-D</b> 2-3/8" OD Tenon Mount adaptor for Trunnion.</li> <li>• <b>3SOR-SP-D</b> Vertical tenon for non-tapered round poles, 3".</li> <li>• <b>4SOR-SP-D</b> Vertical tenon for non-tapered round poles, 4".</li> <li>• <b>5SOR-SP-D</b> Vertical tenon for non-tapered round poles, 5".</li> <li>• <b>S0-SP-D</b> Mid-pole bracket, one fixture.</li> <li>• <b>WM-SP-D</b> Wall Mount bracket, 90°, one fixture.</li> </ul>

Accessories shown are generally stocked items, for additional accessories questions and options please contact your local SLG Lighting rep or email sales@slgus.com.

Options for spec needs available through special request - please contact sales@slgus.com with spec needs and project size.

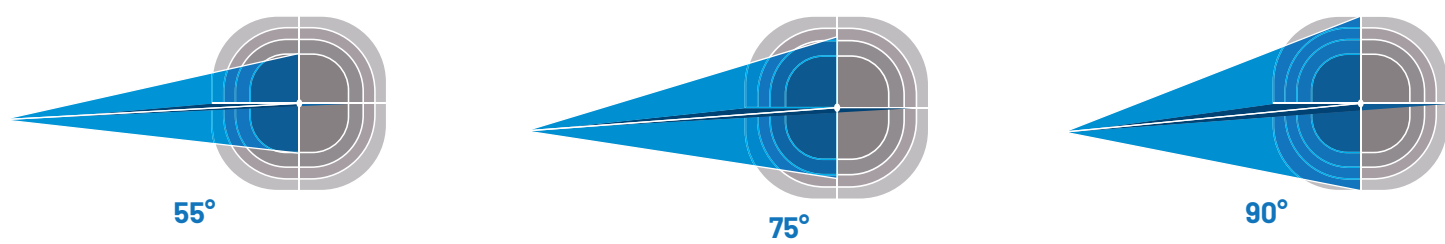
Due to continuous product improvements, specification and/or equipment updates may change without notice.

## PERFORMANCE INFORMATION

Series Number	Power Level	Wattage	Lumens (3000K, 90°)	LPW	Lumens (3000K, 75°)	LPW	Lumens (3000K, 55°)	LPW	Lumens (4000K, 90°)	LPW	Lumens (4000K, 75°)	LPW	Lumens (4000K, 55°)	LPW	Lumens (5000K, 90°)	LPW	Lumens (5000K, 75°)	LPW	Lumens (5000K, 55°)	LPW
FSS LS45	100%	30 W	4,080 Lm	136	3,870 Lm	129	3,720 Lm	124	4,500 Lm	150	4,260 Lm	142	4,140 Lm	138	4,200 Lm	140	4,020 Lm	134	3,870 Lm	129
	80%	24 W	3,400 Lm	142	3,210 Lm	134	3,070 Lm	128	3,720 Lm	155	3,520 Lm	147	3,400 Lm	142	3,480 Lm	145	3,280 Lm	137	3,210 Lm	134
	60%	18 W	2,640 Lm	147	2,460 Lm	137	2,370 Lm	132	2,860 Lm	159	2,710 Lm	151	2,620 Lm	146	2,680 Lm	149	2,550 Lm	142	2,460 Lm	137
	40%	12 W	1,800 Lm	150	1,710 Lm	143	1,640 Lm	137	1,990 Lm	166	1,870 Lm	156	1,820 Lm	152	1,870 Lm	156	1,770 Lm	148	1,710 Lm	143
FSS LS130	100%	90 W	12,000 Lm	133	11,620 Lm	129	11,150 Lm	124	13,280 Lm	148	12,750 Lm	142	12,380 Lm	138	12,460 Lm	134	12,090 Lm	134	11,620 Lm	129
	80%	72 W	9,960 Lm	138	9,650 Lm	134	9,260 Lm	129	11,030 Lm	153	10,590 Lm	147	10,280 Lm	143	10,340 Lm	144	10,040 Lm	140	9,650 Lm	134
	60%	54 W	7,690 Lm	143	7,450 Lm	138	7,150 Lm	132	8,520 Lm	158	8,180 Lm	152	7,940 Lm	147	7,990 Lm	148	7,750 Lm	144	7,450 Lm	138
	40%	36 W	5,350 Lm	149	5,180 Lm	144	4,970 Lm	138	5,930 Lm	165	5,690 Lm	158	5,520 Lm	154	5,560 Lm	155	5,400 Lm	150	5,180 Lm	144
FSS LS220	100%	150 W	19,840 Lm	132	19,530 Lm	130	18,420 Lm	120	21,960 Lm	146	21,430 Lm	143	20,450 Lm	136	20,600 Lm	137	20,320 Lm	135	19,200 Lm	128
	80%	120 W	16,640 Lm	139	16,370 Lm	136	15,450 Lm	129	18,410 Lm	153	17,970 Lm	150	17,150 Lm	143	17,270 Lm	144	17,040 Lm	142	16,100 Lm	134
	60%	90 W	12,890 Lm	143	12,680 Lm	141	11,970 Lm	133	14,270 Lm	159	13,920 Lm	155	13,380 Lm	148	13,380 Lm	149	13,200 Lm	147	12,470 Lm	139
	40%	60 W	8,830 Lm	147	8,680 Lm	145	8,200 Lm	137	9,770 Lm	163	9,530 Lm	159	9,100 Lm	152	9,160 Lm	153	9,040 Lm	151	8,540 Lm	142

Performance data based on vigorous, industry standard testing and has been verified by lab results.

## PHOTOMETRIC



## MOUNTING



1/2" Knuckle Mount



Slipfitter Mount



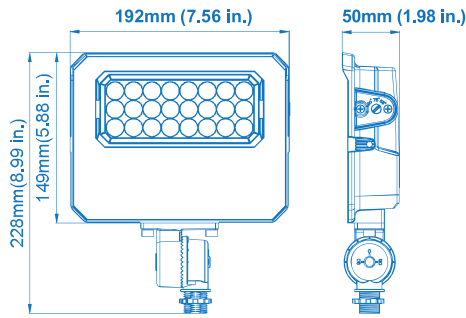
Trunnion Mount

Due to continuous product improvements, specification and/or equipment updates may change without notice.

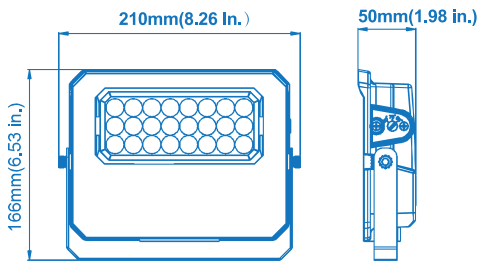
## DIMENSIONS

### FSS LS45 - Flood Light (2 Mounting Types)

#### 1/2" Knuckle Mount

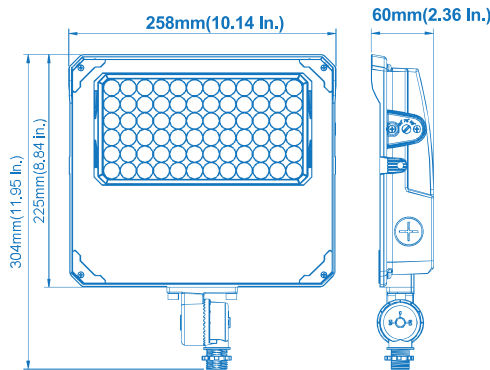


#### Trunnion Mount

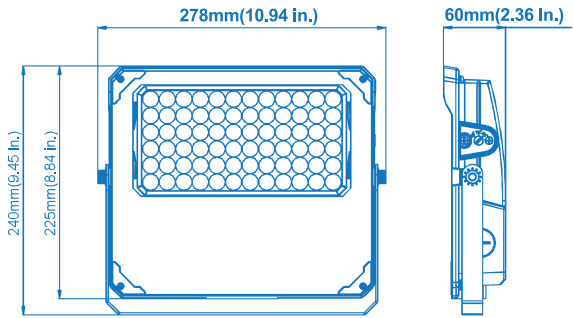


### FSS LS130 - Flood Light (2 Mounting Types)

#### 1/2" Knuckle Mount

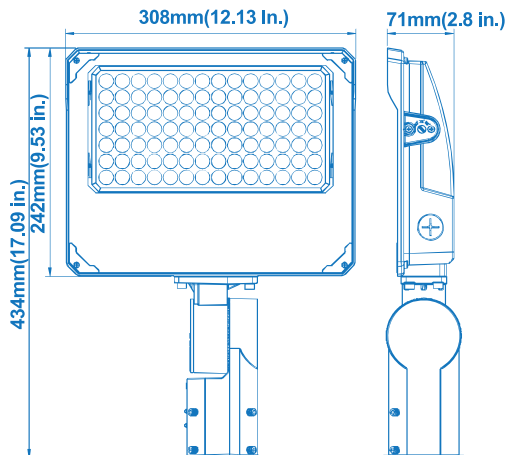


#### Trunnion Mount

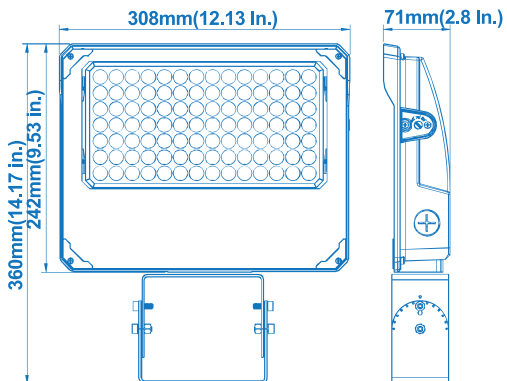


### FSS LS220 - Flood Light (2 Mounting Types)

#### Slipfitter Mount



#### Trunnion Mount



Due to continuous product improvements, specification and/or equipment updates may change without notice.

## ELECTRICAL LOAD

Series Number	Power	Wattage	120V	208V	240V	277V
<b>FSS LS45</b>	100%	30 W	0.25	0.14	0.13	0.108
	80%	24 W	0.20	0.12	0.10	0.09
	60%	18 W	0.15	0.09	0.08	0.06
	40%	12 W	0.1	0.06	0.05	0.04
<b>FSS LS130</b>	100%	90 W	0.75	0.43	0.38	0.32
	80%	72 W	0.60	0.35	0.30	0.26
	60%	54 W	0.45	0.26	0.23	0.19
	40%	36 W	0.30	0.17	0.15	0.13
<b>FSS LS220</b>	100%	150 W	1.25	0.72	0.63	0.54
	80%	120 W	1.00	0.58	0.50	0.43
	60%	90 W	0.75	0.43	0.38	0.33
	40%	60 W	0.50	0.29	0.25	0.22

## SHIPPING INFORMATION

Product number	Individual box size	Master Carton Size	QTY Per Carton
<b>FSS LS45 SD G2 FSK</b>	10.03" X 7.76" X 2.17"	16.34" X 10.63" X 14.17"	12
<b>FSS LS130 SD G3 FSK</b>	12.60" X 10.32" X 2.56"	21.26" X 12.99" X 8.86"	6
<b>FSS LS220 SD G3 FSK</b>	18.11" X 13.58" X 3.94"	N/A	N/A

Fixtures ship 1 per box and specific dimensions may change without notice due to improvements.

Due to continuous product improvements, specification and/or equipment updates may change without notice.