

Connected Industrial Driver

GED100HCC/CR1P480

Description: 100W CInD Class1 PSU

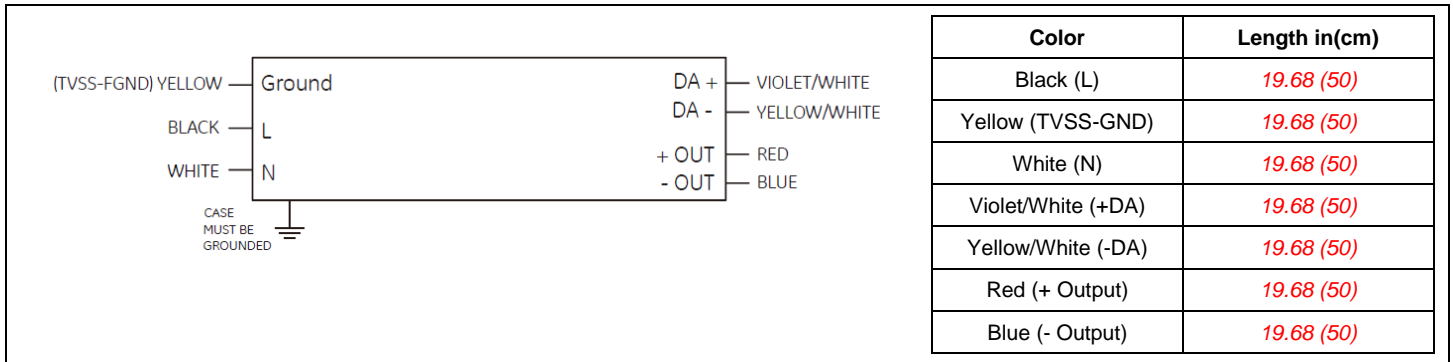
Input Voltage: 347V/480V

Input Frequency: 60Hz

ROHS Compliant: Yes



Max Output Power (W)	Output Current (A)	Output Voltage (V)	Efficiency Full load	Max Input Current (A)	Max THD @40W Output	Min PF @40W Output	Max Inrush Current (A/mS)	Surge Protection (kV/kA)	Isolated Control			Weight (lbs/kg)	IP Rating	
									Control	Output	Dimming Range @full load			
100	0.25 ± 5%	170-240	89%	0.37@347V	20%	0.9	See Page below	6/3	DALI Power Bus	22.5V DC Max	100mA Max	100%-5%	-	IP66
	0.48 ± 5%	170-210							DALI Power Bus	22.5V DC Max	100mA Max	100%-5%	-	IP66



Product Features

Physical

- Unit must be installed within an electrical enclosure.
- Enclosure wiring must be rated to 600V & 105°C or higher.
- Use with Grounded 480V Systems Only

Performance

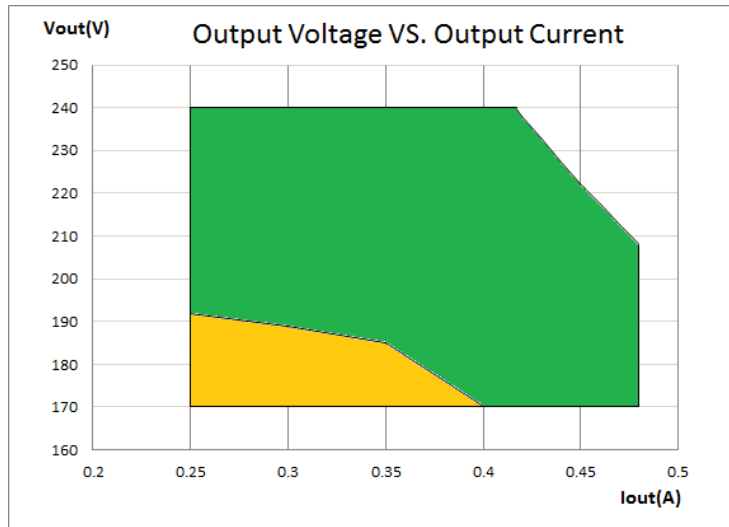
- The unit is classified as Class 1 as stipulated in UL8750.
- DALI Power Bus circuit is classified as Class 2 as stipulated in UL1310.
- Minimum ambient operating temperature: -40°C.
- Maximum allowable case temperature: 85°C.
- For reliability and failure rate information, contact GE Technical Sales Representative.
- The unit is UL certified for operation in dry/damp locations.
- The unit is tolerant of extended open circuit and short circuit conditions.
- The unit is compliant to FCC Title 47 Part 15 Class A, The unit is resistant to surges as per IEEE/ANSI C136.2-2015 C LOW (6kV/3kA)
- The unit cannot be hot plug-in at output side.

UL Conditions of Acceptability – E340135

- The unit has been examined to comply with Class 1 Output Criteria
- The unit is only to be used in dry or damp locations
- The metal casing must be connected to EARTH.
- TVSS-GND (Yellow wire) shall be connected to fixture ground after hi-pot test using closest tab screw. THIS IS NOT A SAFETY GROUND!

Technical Information

GED100HCC/CR1P480

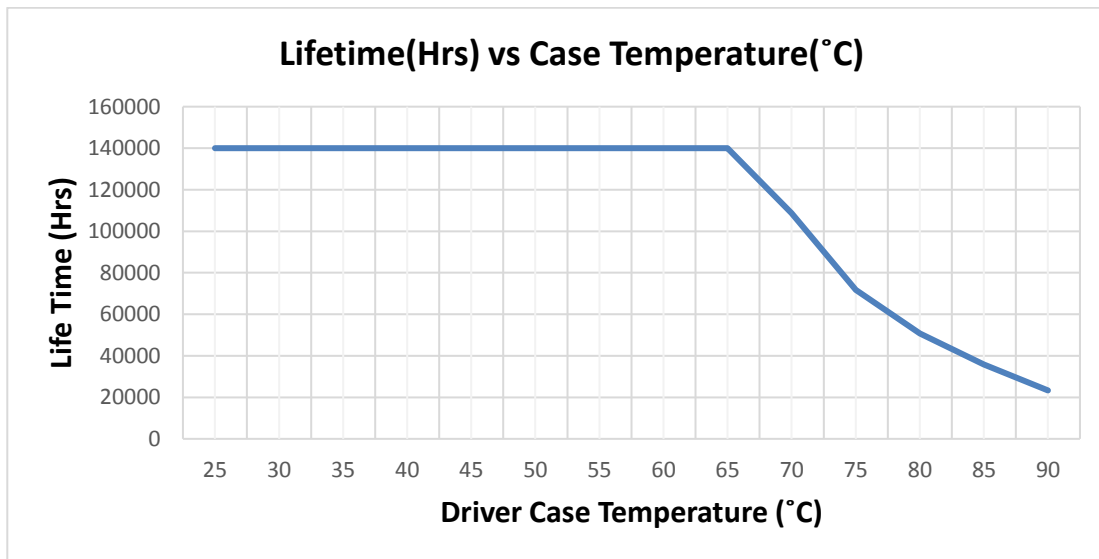


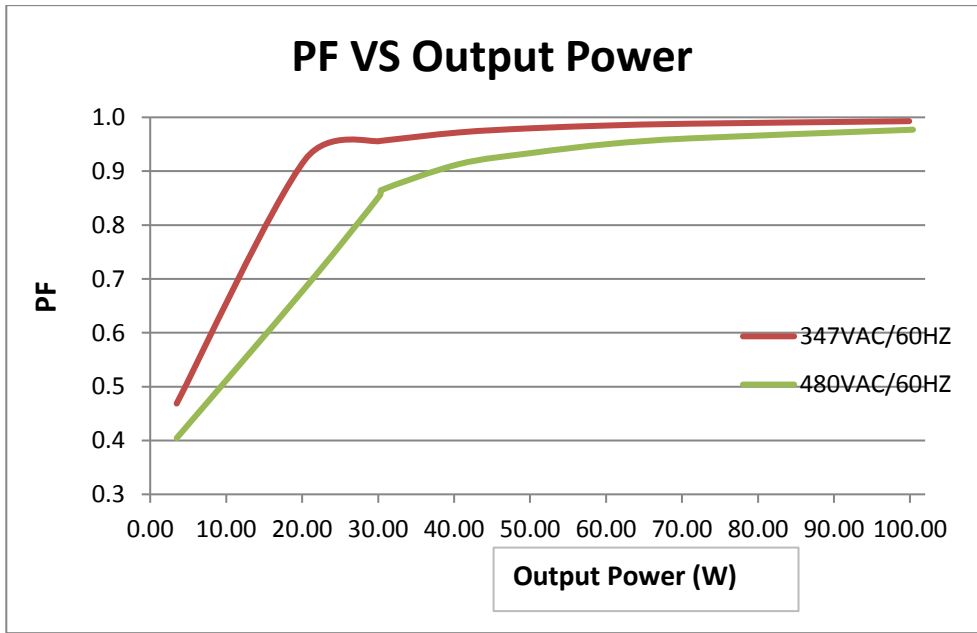
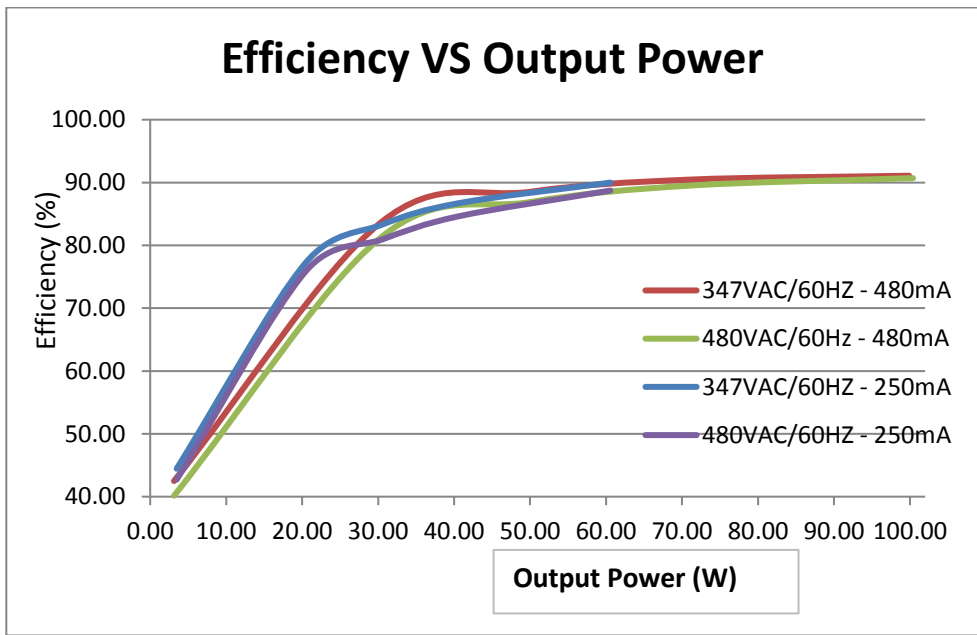
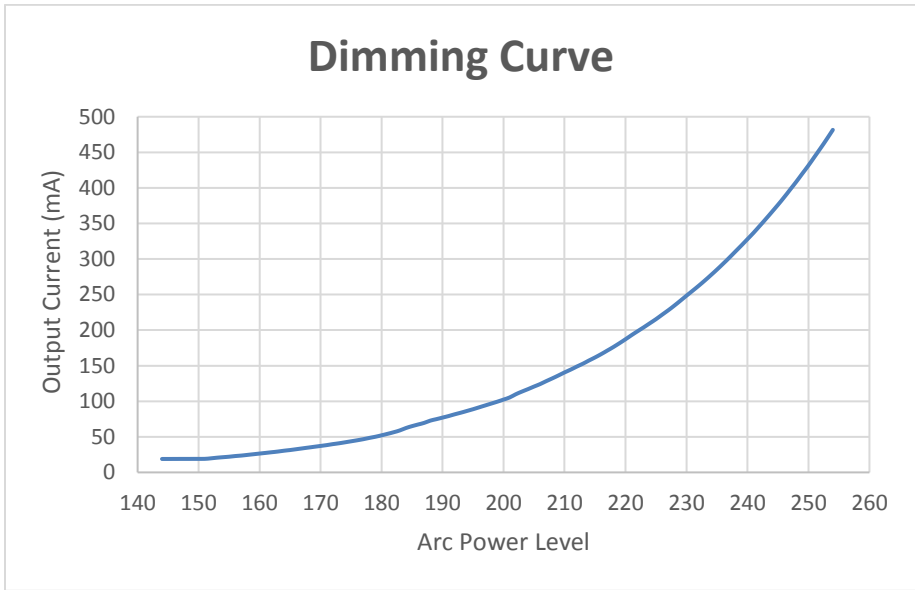
Green: Operation Window

Orange: Driver can work within this window, but not ensure 5% dimming depth

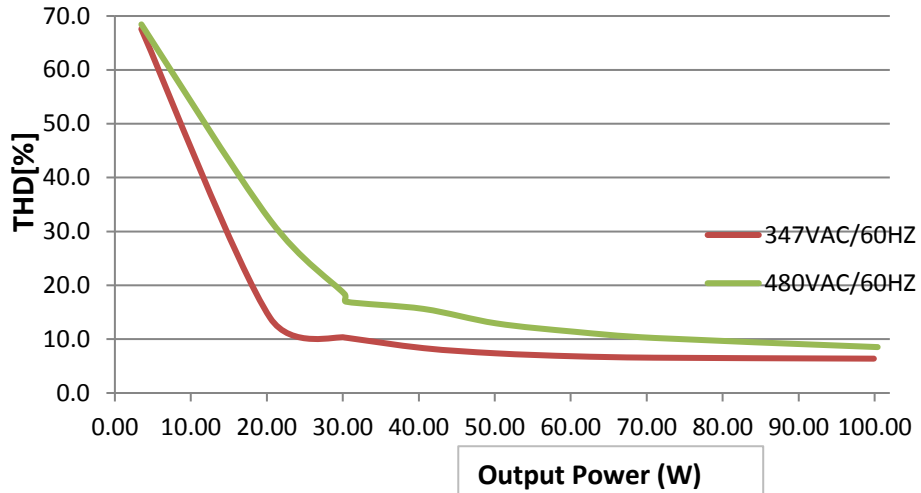
Note1: The operation window is tested at room temperature 25degC.

Note2: For different fixtures with different output voltage, EMI should be retested by each fixture.



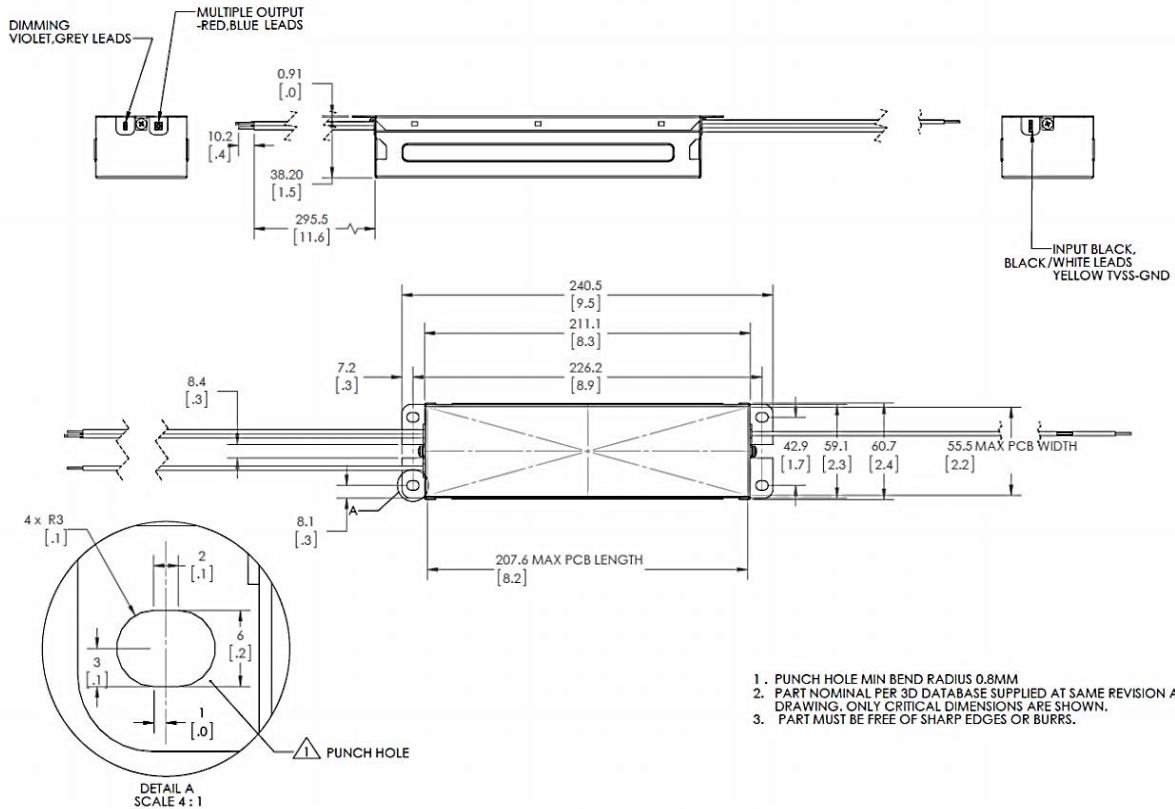


THD VS Output Power



SKU	Input Voltage(V)	Inrush Current(Apk)-Max	Inrush Current(A)-50% peak pulse time(us)
100W/480mA	347	30.9	23.64
	480	40.8	20.88


Product Dimensions



Product Label


←
→

203.0 mm



**UltraMax™
Connected
LED Driver**

GED100HCC/CR1P480
PC:504195
SAP:



504195

INPUT
Voltage 347-480 VAC 60 HZ per UL
Current 0.57A Max

OUTPUT
170-240 VDC Max
480mA Max Output
100 Watts

DA OUTPUT
22.5 VDC Max
100mA Max

THRESHOLD YELLOW

BLACK

WHITE

GROUND

300mA

MAXIMUM

Ground

L

N

DA+

DA-

+ OUT

- OUT

VOLT/SEVER

YELLOW/WHITE

RED


BLACK

SEE WIRE CONNECTIONS

347-480V

347-480V
CLASS P LED Driver
LED Class 1
Class 2 control wires
GE UltraMax Digital Power Bus
SM dimmable at programmed output.
High Power Factor
Min Start Temp -40°C
Tc = 85°C max
FCC Part 15 Class A
CAN ICES-005 (A) / NMB-005 (A)
For Connections Use Wire Rated
for at Least 90°C (194°F)
Install and ground per National Electric
Code
For Dry or Damp Locations

*Made in China, Designed &
Distributed by General Electric Co.
GE Lighting
Nela Park, Cleveland, Ohio 44112*



**LISTED
LED DRIVER
E340135**

**Date
Firmware**

For assistance call:
1-888-MYGELED

↑
↓

50.0 mm

←
→

REV 1

←
→

4 inch

GED100HCC/CR1P480
SAP:
PC: 504195

100W LED Driver. 347-480V input,
programmable to 0.48 A output. GE UltraMax
LED Driver with digital bus.
Country of Origin: China

Date
Firmware



504195



**UltraMax™
Connected
LED Driver**

QTY: 10



**LISTED
LED DRIVER
E340135**

↑
↓

3 inch

←
→

REV 1