

GE  
Lighting Solutions

Technical Guide

# IMMERSION™

## LED Refrigerated Display Lighting

Vertical Cases  
RV40 Series

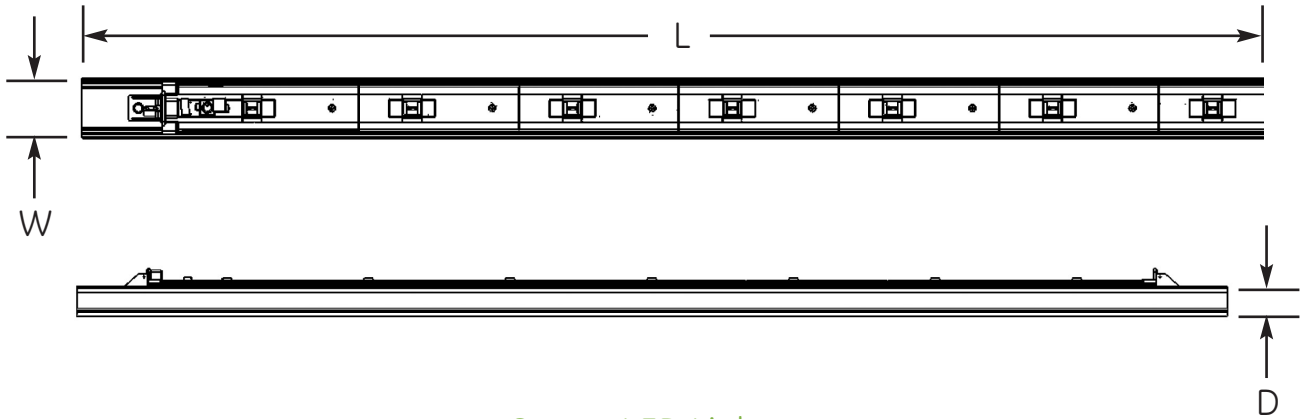


a product of  
**ecomagination**™

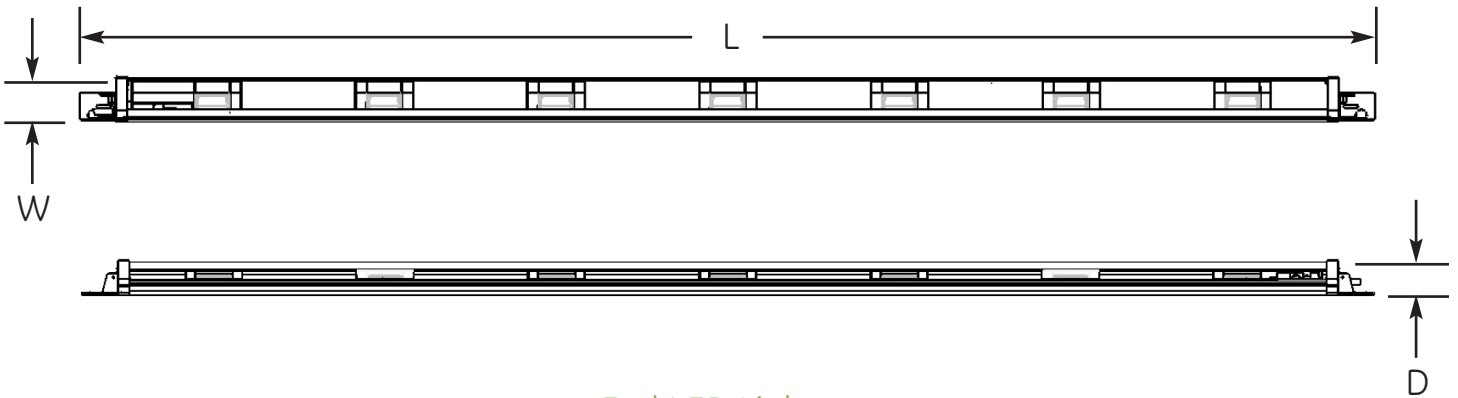


imagination at work

# LED Lights

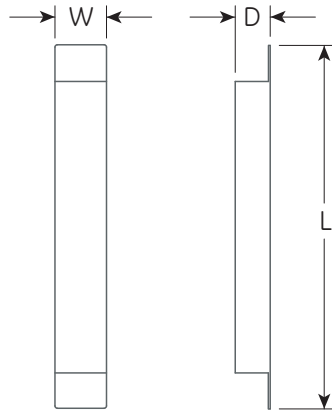


Center LED Lights

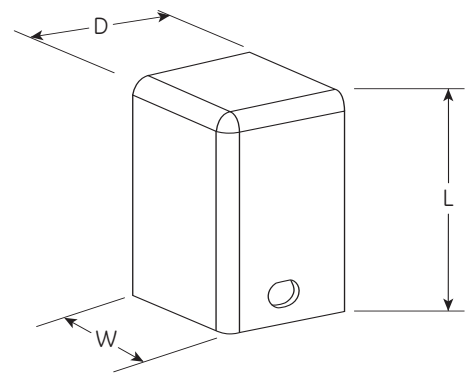


End LED Lights

# Accessories



LED Driver



Wire Cover

Product Code (Single)	Description	Item	DIMENSIONAL DATA		
			Length (L)	Width (W)	Depth (D)
79813	GEPS4000NCMUL-SY	LED Driver	(inch) 10.75 (mm) 273	1.65 42	1.05 26.7
79814	GE-CV-4060CTR	Wire Cover	(inch) 1.77 (mm) 45.01	1.42 36	1.19 30.23

	Product Code (Single)	Product Code (10-Pack)	Description	Item	PERFORMANCE DATA							DIMENSIONAL DATA			
					Color Temp (K)*	Lumens**	LPW	Lumens Per ft (m)	Life (Hours)	CRI (Typical)	Power (Watts)***	Length (L)	Width (W)	Depth (D)	
5000K	79777	79780	GELT403050CTR-SY, -SB	30" LED Light - Center	5000	644	71.6	258 846	50,000	75	9	(inch) (mm)	29.30 744.2	2.58 65.5	1.28 32.5
	79778	79781	GELT403050EDR-SY, -SB	30" LED Light - Right End	5000	379	79	152 500	50,000	75	4.8	(inch) (mm)	29.30 744.2	2.06 52.4	1.59 40.4
	79779	79782	GELT403050EDL-SY, -SB	30" LED Light - Left End	5000	379	79	152 500	50,000	75	4.8	(inch) (mm)	29.30 744.2	2.06 52.4	1.59 40.4
	79795	79798	GELT403650CTR-SY, -SB	36" LED Light - Center	5000	652	68.6	217 712	50,000	75	9.5	(inch) (mm)	35.16 893.1	2.58 65.5	1.28 32.5
	79796	79799	GELT403650EDR-SY, -SB	36" LED Light - Right End	5000	395	79	132 433	50,000	75	5	(inch) (mm)	35.16 893.1	2.06 52.4	1.59 40.4
	79797	79800	GELT403650EDL-SY, -SB	36" LED Light - Left End	5000	395	79	132 433	50,000	75	5	(inch) (mm)	35.16 893.1	2.06 52.4	1.59 40.4
	65602	65605	GELT404850CTR-SY, -SB	48" LED Light - Center	5000	872	74.5	218 715	50,000	75	11.7	(inch) (mm)	48.50 1232.4	2.60 65.5	1.30 32.5
	65603	65606	GELT404850EDR-SY, -SB	48" LED Light - Right End	5000	477	78.2	119 390	50,000	75	6.1	(inch) (mm)	48.50 1232.4	2.10 52.3	1.60 40.4
	65604	65607	GELT404850EDL-SY, -SB	48" LED Light - Left End	5000	477	78.2	119 390	50,000	75	6.1	(inch) (mm)	48.50 1232.4	2.10 52.3	1.60 40.4
	79741	79744	GELT406050CTR-SY, -SB	60" LED Light - Center	5000	1070	66.9	214 702	50,000	75	16	(inch) (mm)	60.3 1532	2.58 65.5	1.28 32.5
	79742	79745	GELT406050EDR-SY, -SB	60" LED Light - Right End	5000	650	81.3	130 427	50,000	75	8	(inch) (mm)	60.3 1532	2.06 52.4	1.59 40.4
	79743	79746	GELT406050EDL-SY, -SB	60" LED Light - Left End	5000	650	81.3	130 427	50,000	75	8	(inch) (mm)	60.3 1532	2.06 52.4	1.59 40.4
	79759	79762	GELT407050CTR-SY, -SB	70" LED Light - Center	5000	1268	65.7	227 744	50,000	75	19.3	(inch) (mm)	70.75 1797.1	2.58 65.5	1.28 32.5
	79760	79763	GELT407050EDR-SY, -SB	70" LED Light - Right End	5000	739	78.9	132 434	50,000	75	10	(inch) (mm)	70.75 1797.1	2.06 52.4	1.59 40.4
	79761	79764	GELT407050EDL-SY, -SB	70" LED Light - Left End	5000	739	78.9	132 434	50,000	75	10	(inch) (mm)	70.75 1797.1	2.06 52.4	1.59 40.4
	4000K	79783	79786	GELT403040CTR-SY, -SB	30" LED Light - Center	4000	606	67.3	242 794	50,000	80	9	(inch) (mm)	29.30 744.2	2.58 65.5
79784		79787	GELT403040EDR-SY, -SB	30" LED Light - Right End	4000	335	69.8	134 440	50,000	80	4.8	(inch) (mm)	29.30 744.2	2.06 52.4	1.59 40.4
79785		79788	GELT403040EDL-SY, -SB	30" LED Light - Left End	4000	335	69.8	134 440	50,000	80	4.8	(inch) (mm)	29.30 744.2	2.06 52.4	1.59 40.4
79801		79804	GELT403640CTR-SY, -SB	36" LED Light - Center	4000	638	67.2	213 699	50,000	80	9.5	(inch) (mm)	35.16 893.1	2.58 65.5	1.28 32.5
79802		79805	GELT403640EDR-SY, -SB	36" LED Light - Right End	4000	331	66.2	110 361	50,000	80	5	(inch) (mm)	35.16 893.1	2.06 52.4	1.59 40.4
79803		79806	GELT403640EDL-SY, -SB	36" LED Light - Left End	4000	331	66.2	110 361	50,000	80	5	(inch) (mm)	35.16 893.1	2.06 52.4	1.59 40.4
65608		65611	GELT404840CTR-SY, -SB	48" LED Light - Center	4000	806	68.9	202 663	50,000	80	11.7	(inch) (mm)	48.50 1232.4	2.60 65.5	1.30 32.5
65609		65612	GELT404840EDR-SY, -SB	48" LED Light - Right End	4000	441	72.3	110 361	50,000	80	6.1	(inch) (mm)	48.50 1232.4	2.10 52.3	1.60 40.4
65610		65613	GELT404840EDL-SY, -SB	48" LED Light - Left End	4000	441	72.3	110 361	50,000	80	6.1	(inch) (mm)	48.50 1232.4	2.10 52.3	1.60 40.4
79747		79750	GELT406040CTR-SY, -SB	60" LED Light - Center	4000	1070	59	213 698	50,000	80	18	(inch) (mm)	60.3 1532	2.58 65.5	1.28 32.5
79748		79751	GELT406040EDR-SY, -SB	60" LED Light - Right End	4000	650	72	129 424	50,000	80	9	(inch) (mm)	60.3 1532	2.06 52.4	1.59 40.4
79749		79752	GELT406040EDL-SY, -SB	60" LED Light - Left End	4000	650	72	129 424	50,000	80	9	(inch) (mm)	60.3 1532	2.06 52.4	1.59 40.4
79765		79768	GELT407040CTR-SY, -SB	70" LED Light - Center	4000	1213	62.8	217 712	50,000	80	19.3	(inch) (mm)	70.75 1797.1	2.58 65.5	1.28 32.5
79766		79769	GELT407040EDR-SY, -SB	70" LED Light - Right End	4000	695	69.5	124 408	50,000	80	10	(inch) (mm)	70.75 1797.1	2.06 52.4	1.59 40.4
79767		79770	GELT407040EDL-SY, -SB	70" LED Light - Left End	4000	695	69.5	124 408	50,000	80	10	(inch) (mm)	70.75 1797.1	2.06 52.4	1.59 40.4
3500K		65614	65617	GELT404835CTR-SY, -SB	48" LED Light - Center	3500	753	64.4	188 617	50,000	80	11.7	(inch) (mm)	48.50 1232.4	2.60 65.5
	65615	65618	GELT404835EDR-SY, -SB	48" LED Light - Right End	3500	416	68.2	104 341	50,000	80	6.1	(inch) (mm)	48.50 1232.4	2.10 52.3	1.60 40.4
	65616	65619	GELT404835EDL-SY, -SB	48" LED Light - Left End	3500	416	68.2	104 341	50,000	80	6.1	(inch) (mm)	48.50 1232.4	2.10 52.3	1.60 40.4
	79753	79756	GELT406035CTR-SY, -SB	60" LED Light - Center	3500	1055	58.6	211 692	50,000	80	18	(inch) (mm)	60.3 1532	2.58 65.5	1.28 32.5
	79754	79757	GELT406035EDR-SY, -SB	60" LED Light - Right End	3500	589	65.4	118 386	50,000	80	9	(inch) (mm)	60.3 1532	2.06 52.4	1.59 40.4
	79755	79758	GELT406035EDL-SY, -SB	60" LED Light - Left End	3500	589	65.4	118 386	50,000	80	9	(inch) (mm)	60.3 1532	2.06 52.4	1.59 40.4
	79771	79774	GELT407035CTR-SY, -SB	70" LED Light - Center	3500	1148	59.5	205 674	50,000	80	19.3	(inch) (mm)	70.75 1797.1	2.58 65.5	1.28 32.5
	79772	79775	GELT407035EDR-SY, -SB	70" LED Light - Right End	3500	649	64.9	116 381	50,000	80	10	(inch) (mm)	70.75 1791.1	2.06 52.4	1.59 40.4
79773	79776	GELT407035EDL-SY, -SB	70" LED Light - Left End	3500	649	64.9	116 381	50,000	80	10	(inch) (mm)	70.75 1791.1	2.06 52.4	1.59 40.4	

\*Color temp (CCT) +/- 10%

\*\*Based on typical in-store performance.

\*\*\*System watts Typ AC based on Typical in-store performance

# LED Driver Performance Data

79813  
GEPS4000NCMUL-SY

	Min	Typical	Max
Input Voltage (VAC)	100		240
Input Current (A)		1	
Input Line Frequency (Hz)		50/60	
LED Light Output Voltage (VDC)		12	
Output Power (W)			60
Max Output Current (A)		5	
Total Harmonic Distortion		N/A*	
Power Factor at >80% Load (48W @ 120 VAC, 48W @ 240VAC)	0.9		
Operating Temperature Range (°C)	-20 C		45 C
Storage Temperature Range (°C)	-40 C		70 C

This device complies with Part 15 of the FCC Rules. Operation is subject to the following two conditions: (1) this device may not cause harmful interference, and (2) this device must accept any interference received, including interference that may cause undesired operation.

This Class [A] RFLD complies with the Canadian standard ICES-005. Ce DEFR de la classe [A] est conforme à la NMB-005 du Canada.

Conforms to the following standards:



NEW UL  
Retrofit certification



GE Lighting Solutions • 1-888-MY-GE-LED • [www.gelightingsolutions.com](http://www.gelightingsolutions.com)  
1 - 8 8 8 - 6 9 - 4 3 - 5 3 3

GE Lighting Solutions, LLC is a subsidiary of the General Electric Company. Immersion is a trademark of GE Lighting Solutions, LLC. The GE brand and logo are trademarks of the General Electric Company. © 2012 GE Lighting Solutions, LLC. Information provided is subject to change without notice. All values are design or typical values when measured under laboratory conditions.