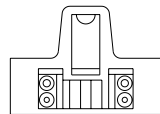
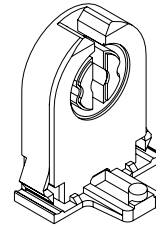
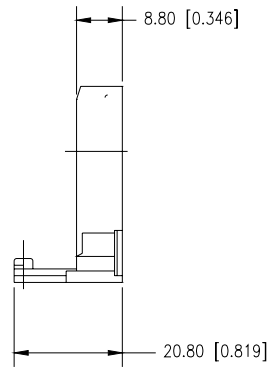
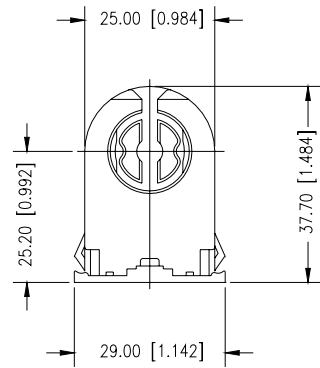


HH#: 1-1802



<b>H.H. FLUORESCENT PARTS.INC.</b>			UNLESS OTHERWISE SPECIFIED: DIMENSIONS ARE IN MM	
MODEL	SCALE 1??1	UNIT MM	TOLERANCES	
TITLE	MATERIAL	SHEET A4	DECIMALS .XX ±.05 .XXX ±.010	ANGULAR ± 0.5°
DRAW NO.	PAPER NO.	REV	DRAWN HYF	DATE 09.1.16
			DESIGN	
			APPROVED	