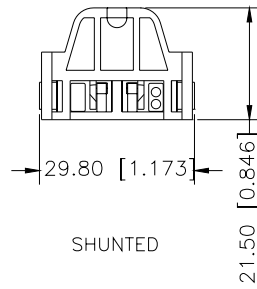
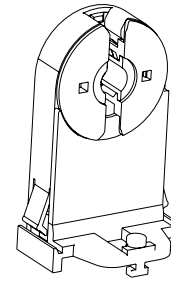
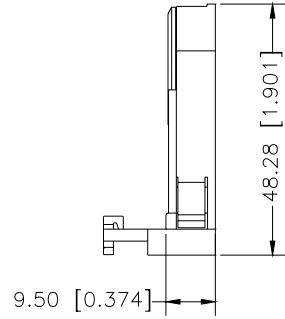
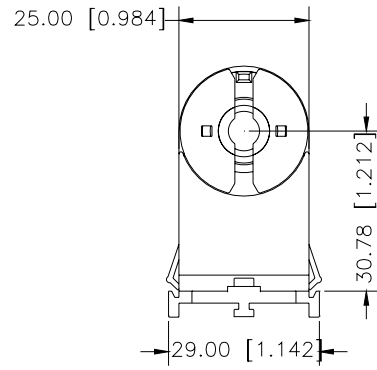


HH#: 1-1900



H.H. FLUORESCENT PARTS, INC.				UNLESS OTHERWISE SPECIFIED: DIMENSIONS ARE IN MM	
MODEL	SCALE	UNIT	MM	DECIMALS	ANGULAR
	1??1			.XX ±.05	± 0.5°
TITLE	MATERIAL	SHEET	A4	.XXX ±.010	
		REV		DRAWN	DATE
DRAW NO.	PAPER NO.			HYF	09.1.16
				DESIGN	
				APPROVED	