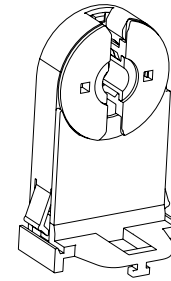
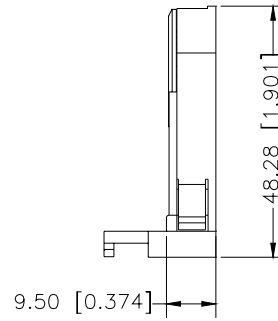
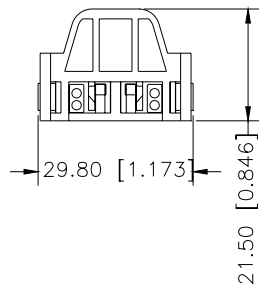
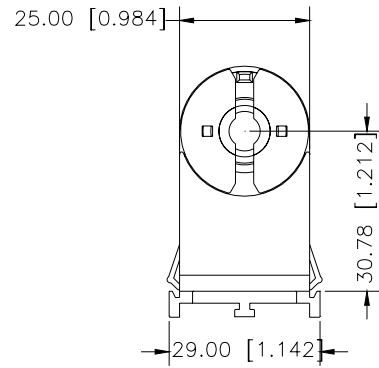


HH#: 1-1903



<b>H.H. FLUORESCENT PARTS.INC.</b>				UNLESS OTHERWISE SPECIFIED: DIMENSIONS ARE IN MM	
				TOLERANCES	
				DECIMALS	ANGULAR
				.XX ± .05	± 0.5°
				.XXX ± .010	
MODEL	SCALE 1??1	UNIT MM		DRAWN HYF	DATE 09.1.16
TITLE	MATERIAL	SHEET A4		DESIGN	
		REV		APPROVED	
DRAW NO.	PAPER NO.				