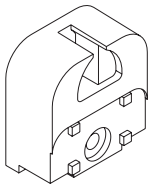
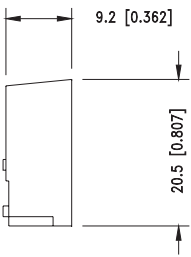
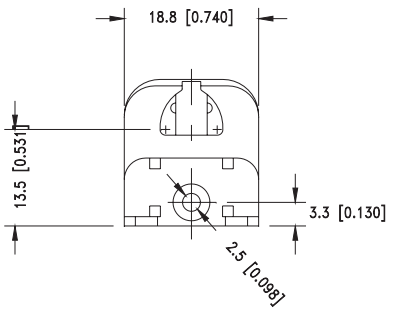


REVISIONS			
ZONE	DESCRIPTION	MENDER	DATE



H H FLUORESCENT PARTS,INC.		UNLESS OTHERWISE SPECIFIED: DIMENSIONS ARE IN INCHES	
1-450W-8		DECIMALS TOLERANCES .XX ± .05	ANGULAR TOLERANCES ±0.5°
DRAWN HUANGFANG		DATE 9-4-2010	
DESCRIPTION		CHECKED	
DWG NO.		DESIGN	
MATERIAL	SIZE A4	SCALE 1:1	ALL DIMENSIONS ARE IN MM
			REV