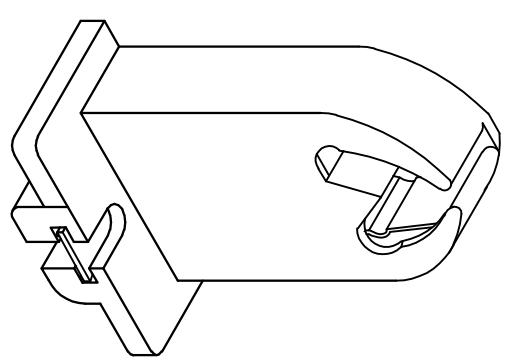
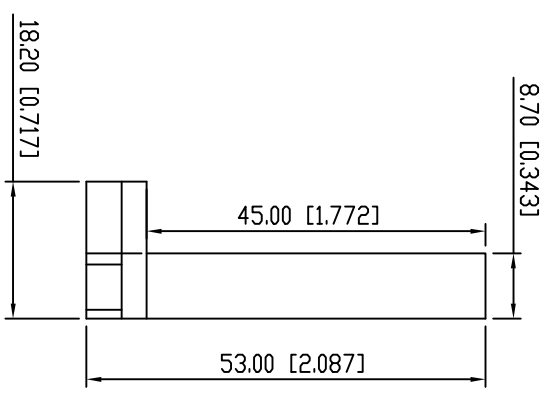
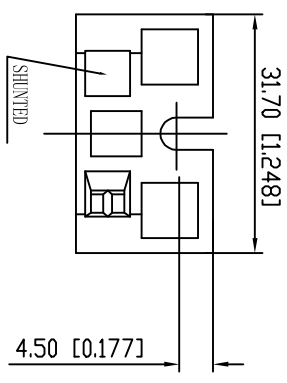


1.20MM THK
ELECTROLYTIC
GALVANIZED
STEEL PLATE
NUT INSERTED



H.H. FLUORESCENT PARTS, INC.

MODEL 1-526RWS-2
SCALE 1: 1
UNIT MM
SHEET A4
MATERIAL
REV

TITLE
DRAWING NO.
PAPER NO.

DIMENSIONS ARE IN MM
DECIMALS TOLERANCES
XX ±.05
XXX ±.010
ANGULAR ± 0.5°

DRAWN HYP DATE 2014.5.23

DESIGN

APPROVED