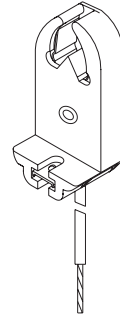
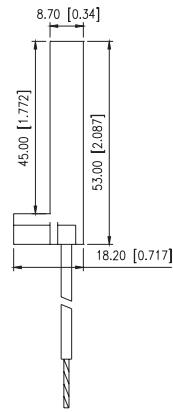
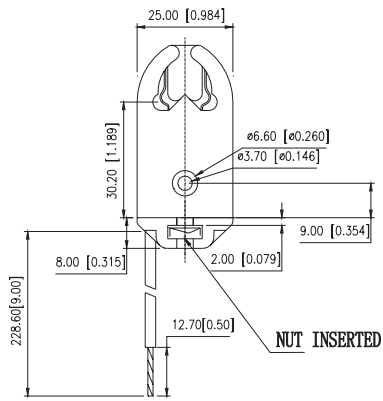


HH#: 1-626W-2 9"



H.H. FLUORESCENT PARTS, INC.			UNLESS OTHERWISE SPECIFIED: DIMENSIONS ARE IN MM	
MODEL	SCALE 1??1	UNIT MM	DECIMAL TOLERANCES	ANGULAR
TITLE	MATERIAL	SHEET A4	.XX ± .05	± 0.5°
REV	DESIGN	DATE	.XXX ± .010	
DRAW NO.	PAPER NO.	APPROVED	DRAWN HYF	09.1.16