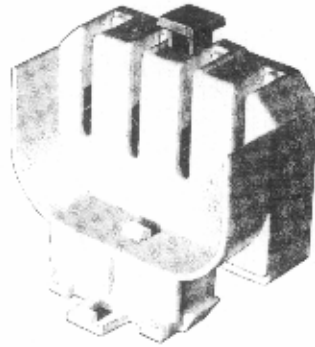


H. H. FLUORESCENT PARTS, INC.

1000 BROADWAY AVENUE, P.O. BOX 1055, CHILMARK, MASSACHUSETTS 01912-0105 TEL: 508-772-2200 FAX: 508-772-2205



lampholder 1326

for lamps with cap 2 G 11



Particularly flat, push-in lampholder for compact fluorescent lamps. Parallel slots for lamp insertion and an unbolting button allow easy change of lamp.

Screwless fixing with push-in foot, suitable for wall thicknesses of 0.6 ... 1.0 mm.

Twin pin terminal for continuous wiring.

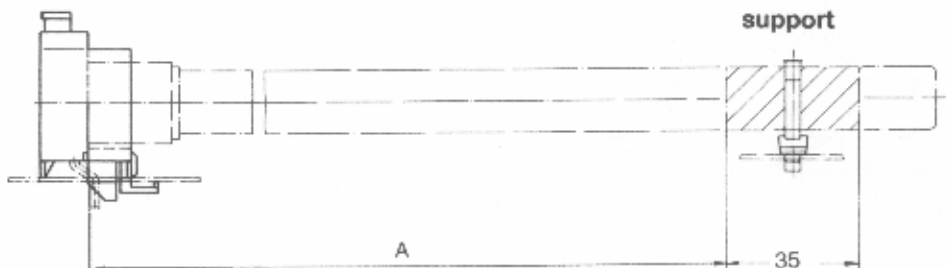
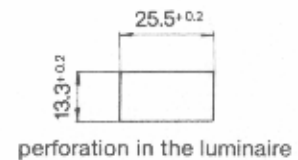
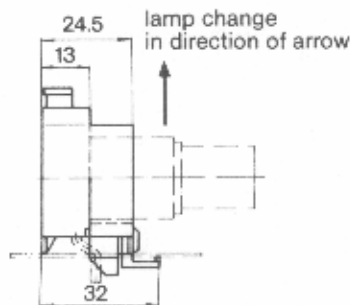
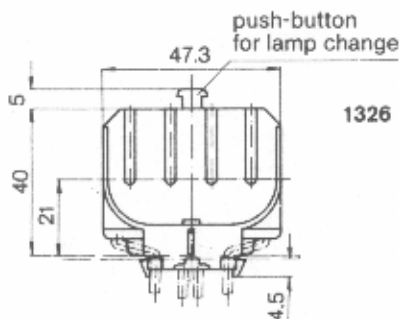
Wiring either through luminaire cut-out or within the luminaire.

A secure sit of the lamp necessitates the use of a support (see special page).

We recommend to chose a distance of the support according to the table given below.

The measure "A" is chosen in a way that, if the permissible lamp power to the ballast is not reached, the lamp cannot be snapped into the support.

type	art.-no.	packing unit	weight	colour
lampholder 1326	132601	250	25 g	white



lamp	measure "A"
18 W	140
24 W	235
36 W	330