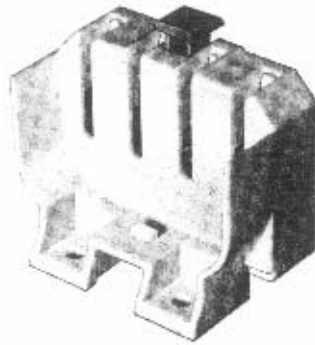


# H. H. FLUORESCENT PARTS, INC.



lampholder

# 1327

for lamps with cap 2 G 11



Particularly flat, screw-on type lampholder for compact fluorescent lamps. Parallel slots for lamp insertion and an unbolting button allow easy change of lamp.

Fixing at the bottom with screws M 4.

Twin pin terminal for continuous wiring.

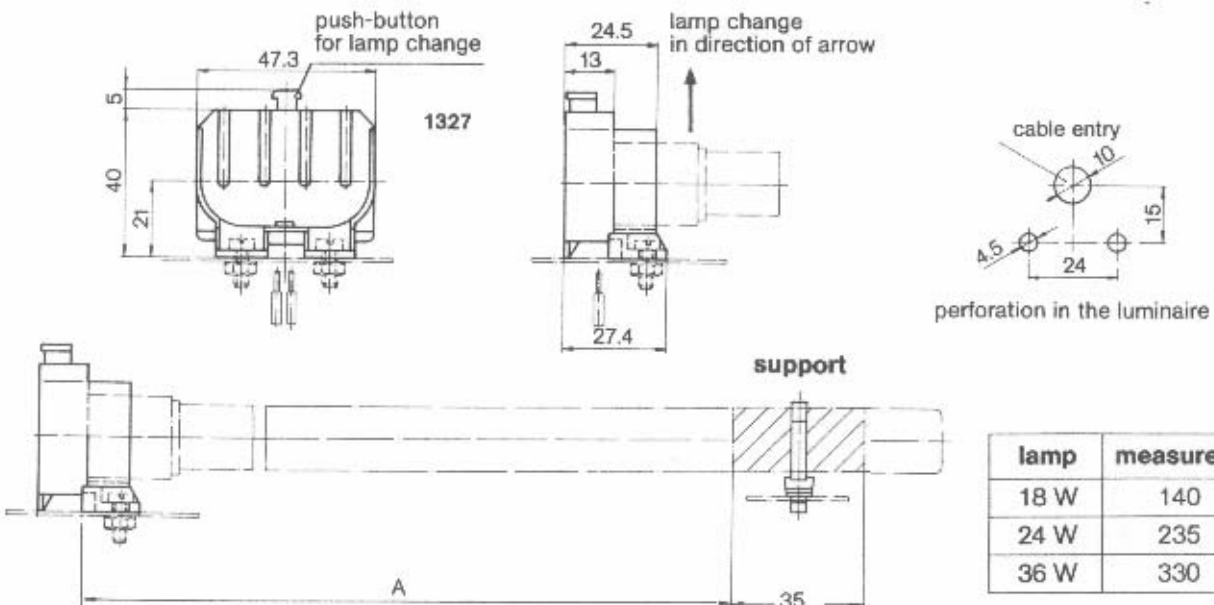
Wiring either through cable entry whole in the luminaire metal or within the luminaire.

A secure sit of the lamp necessitates the use of a support (see special page).

We recommend to chose a distance of the support according to the table given below.

The measure "A" is chosen in a way that, if the permissible lamp power to the ballast is not reached, the lamp cannot be snapped into the support.

type	art.-no.	packing unit	weight	colour
lampholder 1327	132701	250	25 g	white



lamp	measure "A"
18 W	140
24 W	235
36 W	330