

# H. H. FLUORESCENT PARTS, INC.

1000 AVENUE G, BOX 65, CHELTENHAM, PA 19312, TEL: 215/379-2200 FAX: 215/379-2201

## TURRET LAMPHOLDERS

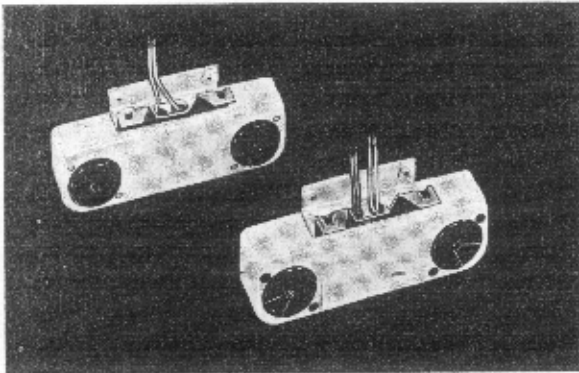
FOR HEAVY DUTY INDUSTRIAL AND COMMERCIAL USE

Constructed of heavy gauge steel finished in hard oven baked white enamel. All turrets are supplied in sets with lampholders spring loaded on one end and stationary on the other.

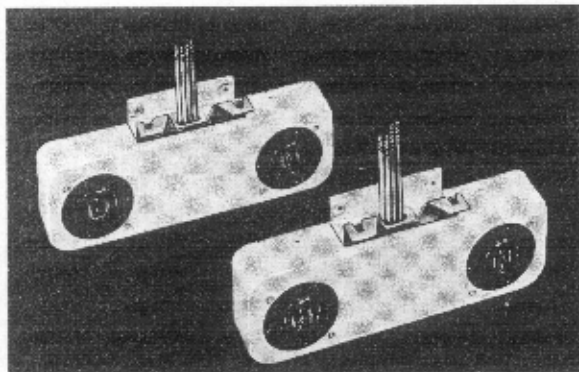
Listed by  
Underwriter's Laboratories, Inc.  
File # E-20650

### ORDERING DATA

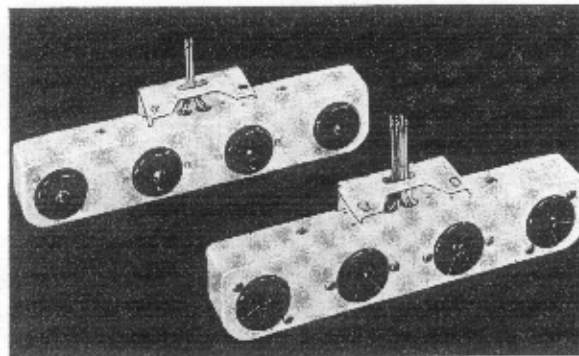
DESCRIPTION	CAT. NO.	LAMP SPACING	STD. PKG.
2 LT Bi-Pin	278	5"	25 Sets
3 LT Bi-Pin	282	2-1/2"	" "
2 LT Slimline	276	5"	" "
3 LT Slimline	277	2-1/2"	" "
2 LT High Output	208	5"	" "
3 LT High Output	308	2-1/2"	" "



7" STEEL ENCLOSURE  
5" LAMP SPACING  
BI-PIN — SLIMLINE — HIGH OUTPUT



9" STEEL ENCLOSURE  
6" LAMP SPACING  
BI-PIN — SLIMLINE — HIGH OUTPUT — POWER GROOVE



11" STEEL ENCLOSURE  
BI-PIN — SLIMLINE — HIGH OUTPUT

DESCRIPTION	CAT. NO.	LAMP SPACING	STD. PKG.
2 LT Bi-Pin	278-9	6"	25 Sets
3 LT Bi-Pin	282-9	3"	" "
4 LT Bi-Pin	319-9	2-1/4"	" "
2 LT Slimline	276-9	6"	" "
3 LT Slimline	277-9	3"	" "
4 LT Slimline	321-9	2-1/4"	" "
2 LT High Output	208-9	6"	" "
3 LT High Output	308-9	3"	" "
4 LT High Output	408-9	2-1/4"	" "
2 LT Power Groove	950-9	6"	" "
3 LT Power Groove	960-9	3"	" "

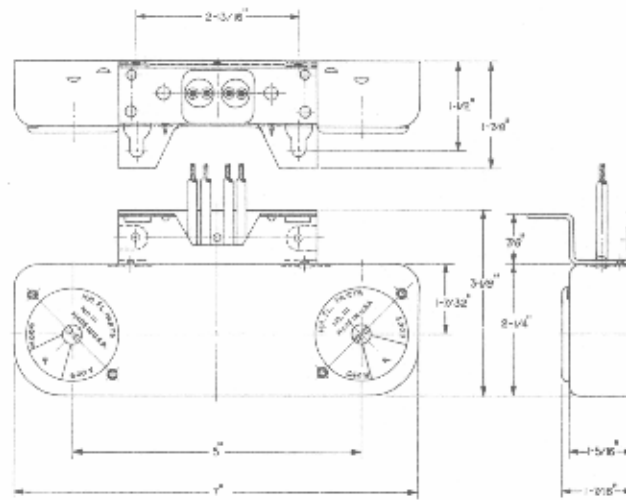
SLIDE-ON TYPE ALSO AVAILABLE

DESCRIPTION	CAT. NO.	LAMP SPACING	STD. PKG.
3 LT Bi-Pin	318	4-1/2"	20 Sets
4 LT Bi-Pin	319	3"	" "
3 LT Slimline	320	4-1/2"	" "
4 LT Slimline	321	3"	" "
3 LT High Output	308-11	4-1/2"	" "
4 LT High Output	408-11	3"	" "

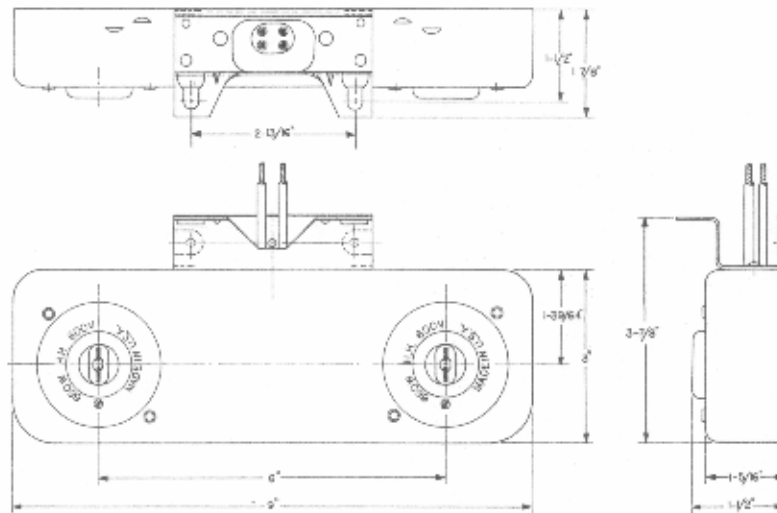
DIMENSION DRAWINGS ON REVERSE SIDE

Mtg. bracket for any unit available at no extra cost. Simplify fastening of turrets to your channel. Permits greater freedom of design. Assembly time greatly reduced.  
95 1/2" or 96" back to back dimension.

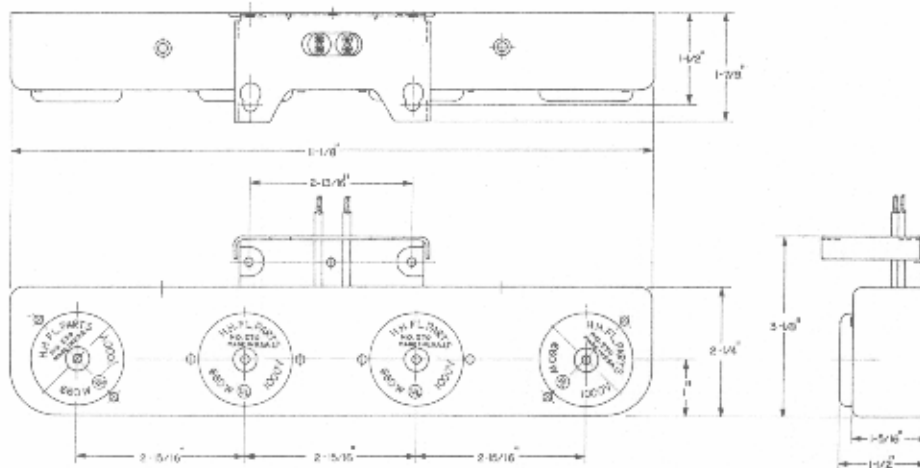
7" ENCLOSURE



9" ENCLOSURE



11" ENCLOSURE



NOTE: ADD "D" FOR 96" BACK TO BACK DIMENSIONS