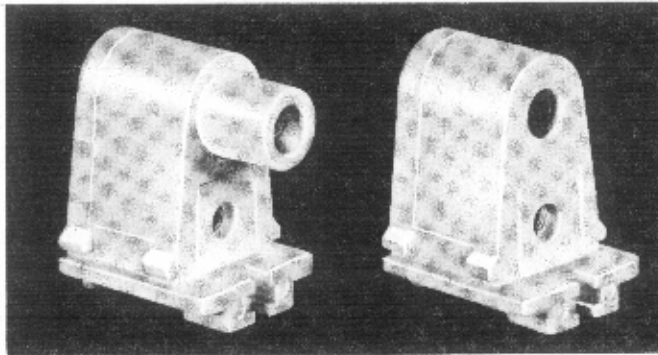


SLIMLINE LAMPHOLDER
 "PRESSURE LOCK"



315

314

Listed by
 Underwriter's Laboratories, Inc.
 File #E20650
 C.S.A. Approved
 File #LR25026

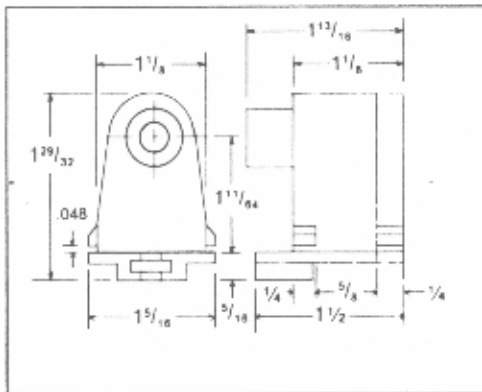
New tapered design for easy installing. Slide on feature for open or T slot. No more hardware needed. Available for snap-in or conventional flush mounting.

Patented

ORDERING NO.	DESCRIPTION	APPLICATION	STD. PKG.
SETS 303	SHORT SHOULDERS	T-SLOT OR OPEN SLOT MTD.	300 PCS. PER CT.
SETS 303 A	SHORT SHOULDERS NO FRONT SHELF	T-SLOT OR OPEN SLOT MTD.	
SETS 303-1	LONG SHOULDER	OPEN SLOT MTD.	
SETS 303-B	LONG & SHORT SHOULDER NO FRONT SHELF	OPEN SLOT MTD.	
SETS 303 N/S	NO SHOULDER	FLUSH MTD.	
SETS 303 N/S-2	NO SHOULDER	FLUSH MTD. W/NUTS INSERTED	

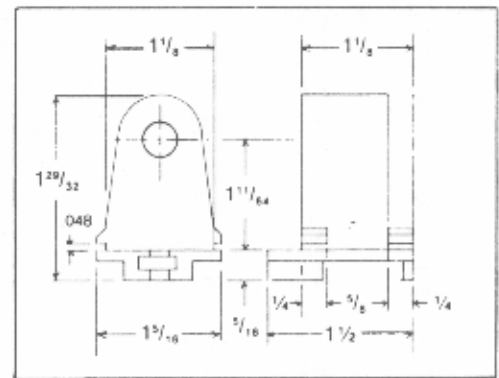
ALSO FOR USE IN OUTDOOR ENCLOSED SIGNS

DIMENSION SKETCHES



315

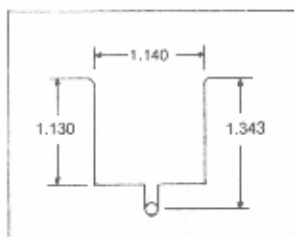
#314-660W - 600V
 #315-660W - 1000V



314

PIERCING DIMENSIONS

OPEN SLOT



T SLOT

