

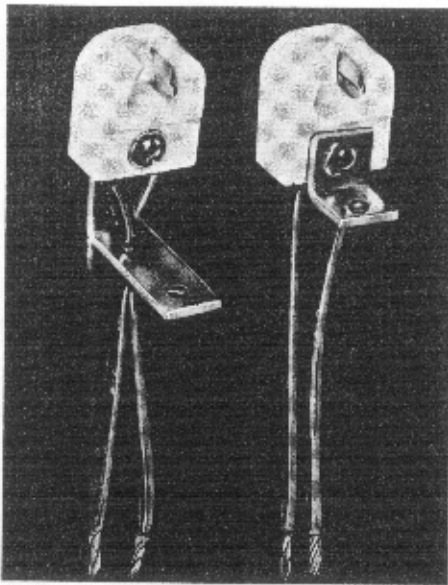
# H. H. FLUORESCENT PARTS, INC.

## MINIATURE BI-PIN LAMPHOLDER

FOR T5 LAMPS  
250V 75W

Listed by  
Underwriter's Laboratories, Inc.  
File # E-20650

C.S.A. Approved  
File # LR25026



Designed for showcase, range or other limited space applications

Available with various brackets for flush and surface mounting or as butt-on without bracket

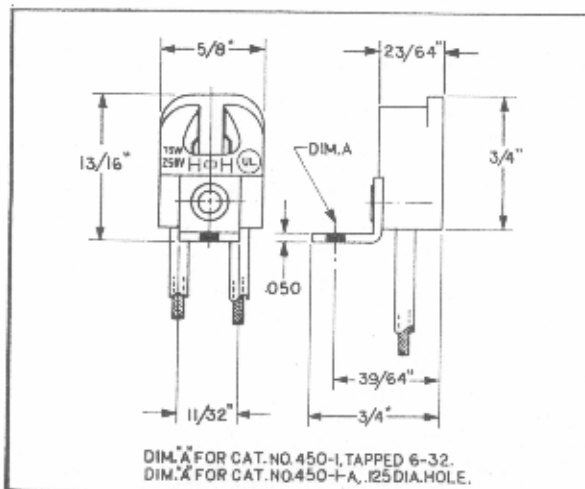
Single screw mounting

CAT. NO.	COLOR	DESCRIPTION	HARDWARE	STD. PKG.
450	WHITE or BLACK	BUTT-ON MOUNTING	5/40 x 7/16" Screw	500-20 LBS.
450-1	WHITE or BLACK	* SHORT BRACKET	6/32 x 1/4" Screws	500-20 LBS.
450-1-A	WHITE or BLACK	† SHORT BRACKET	None	500-20 LBS.
450-2	WHITE or BLACK	* LONG BRACKET	6/32 x 1/4" Screw	500-20 LBS.

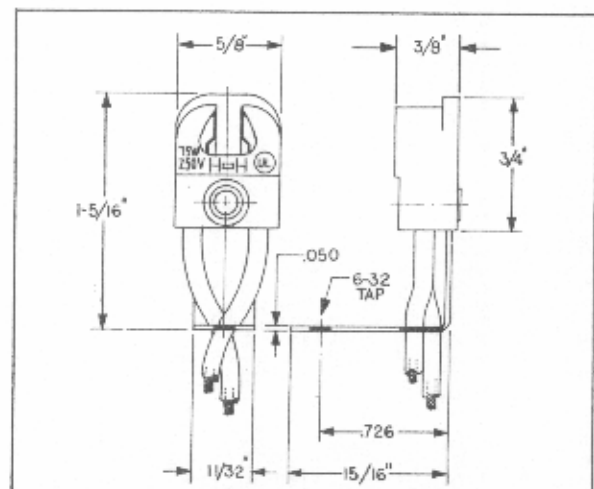
Back-to-back spacing – Nominal lamp length plus  $9/64 \pm 1/64$

\* Bracket Tapped 6/32

† .125 Dia. Clearance Hole



NO.450-1



NO.450-2