

Day-Brite

CFI

by Signify

Industrial

HCY Sealed high bay

14,000 to 33,000 lumens



The Day-Brite / CFI HCY sealed high bay is an ideal choice where functional high bay lighting is needed with an aesthetic appeal. The round form factor lends itself to retail and institutional applications.



Project: _____
 Location: _____
 Cat.No: _____
 Type: _____
 Lumens: _____ Qty: _____
 Notes: _____

Ordering guide

Example: HCY21L8CST-UN3-DIM

Series	Lumens ¹	Color Temp. (K)	Voltage	Dimming
<input type="text" value="HCY"/>	<input type="text"/>	<input type="text" value="8CST"/> -	<input type="text" value="UN3"/> -	<input type="text" value="DIM"/>
HCY Sealed High Bay	14L 14,000 lumens 21L 21,000 lumens 28L 28,000 lumens 33L 33,000 lumens	8CST 80 CRI, Color Select (4000/5000K)	UN3 Universal voltage 120-347V	DIM 0-10V dimming

1. Nominal delivered lumens at 25°C ambient.

Many luminaire components, such as reflectors, lenses, sockets, lampholders, and LEDs are made from various types of plastics which can be adversely affected by airborne contaminants. If sulfur based chemicals, petroleum based products, cleaning solutions, or other contaminants are expected in the intended area of use, consult factory for compatibility.

Accessories (order separately)

- **HCY-PRSM** 16" Clear polycarbonate reflector for HCY14 and HCY21
- **HCY-PRLG** 16" Clear polycarbonate reflector for HCY28 and HCY33
- **HCY-SURFACE BKT SM** Surface mount bracket for HCY14 and HCY21
- **HCY-SURFACE BKT LG** Surface mount bracket for HCY28 and HCY33



Features

- Die cast frame and driver containment housing.
- Corrosion resistant black finish.
- Clear polycarbonate lens protects LEDs.
- Heavy duty hook provided for connection to customer-supplied suspension.
- Lumen maintenance up to 70% (L70) at 50,000 hours.
- Exposed leads for wiring connection with sleeving for environmental protection.
- 6' cord provided for power connection and dimming connection.
- Field CCT selectable for 4000K or 5000K.
- cULus listed for use in wet locations for -20C to 50C ambient.
- IP65 and NEMA4X rated.
- Components are RoHS compliant.
- DesignLights Consortium qualified. Please see the DLC QPL list for exact catalog numbers (www.designlights.org/QPL)
- Five year limited luminaire warranty. Visit www.signify.com/warranties for complete warranty information.

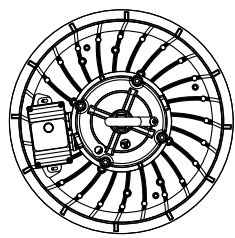
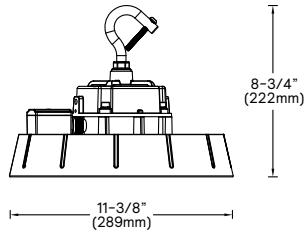


HCY LED sealed high bay

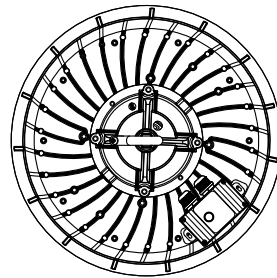
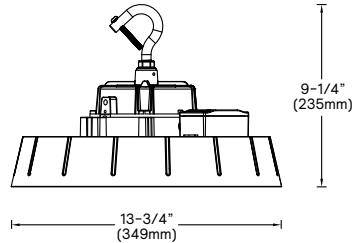
14,000 to 33,000 lumens

Dimensions

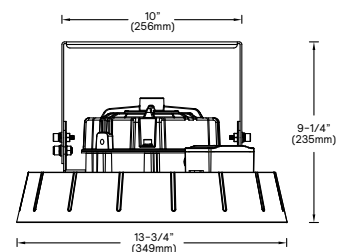
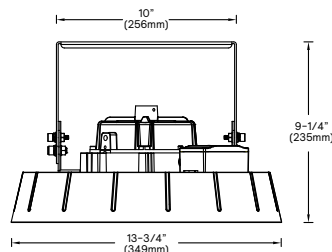
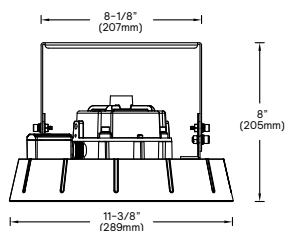
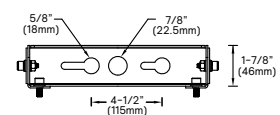
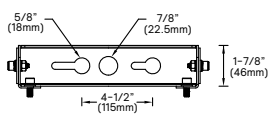
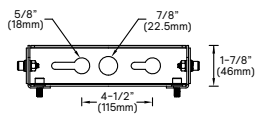
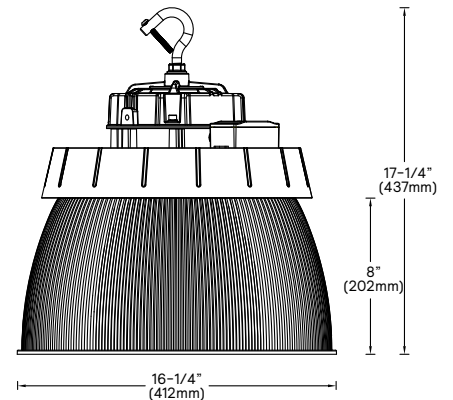
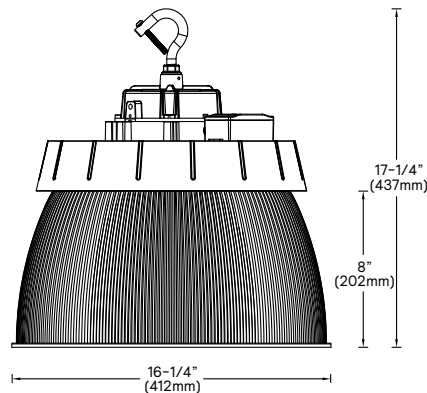
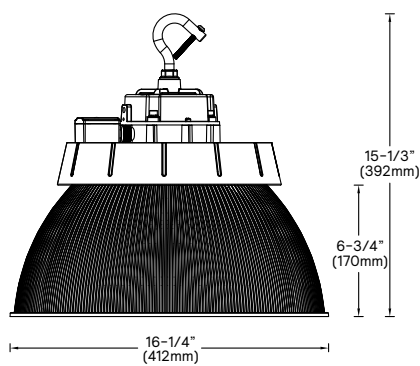
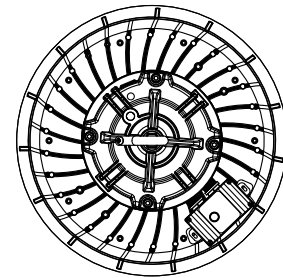
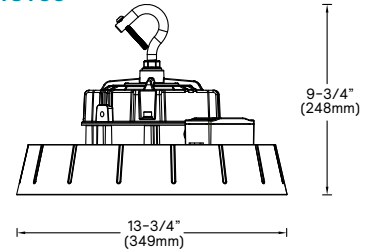
HCY14/HCY21



HCY28



HCY33



HCY LED sealed high bay

14,000 to 33,000 lumens

Photometry

HCY21L8CST-UN3-DIM-4000K

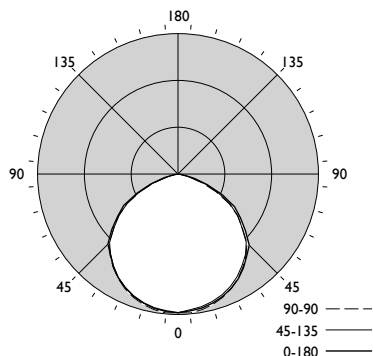
Luminaire Lumens	21971
Luminaire Efficacy Rating (LER)	142.2
Total Luminaire Watts	154.5
Spacing Criterion (0-180)	1.29

Candela Distribution						Flux
	0	90	180	270	360	Lumens
0	7801	7801	7801	7801	7801	
5	7730	7847	7726	7886	7730	739
15	7522	7589	7500	7700	7522	2132
25	7092	7099	7037	7290	7092	3275
35	6426	6374	6355	6641	6426	4018
45	5668	5489	5578	5891	5668	4289
55	4282	4089	4146	4525	4282	3795
65	2729	2357	2533	2959	2729	2619
75	957	664	803	1162	957	996
85	66	33	43	120	66	110
90	19	13	16	27	19	

Zonal Lumen Summary			
Zone	Lumens	%Fixture	%Lamp
0-30	6146	28.0%	28.0%
0-40	10163	46.3%	46.3%
0-60	18248	83.1%	83.1%
0-90	21971	100.0%	100.0%
0-180	21971	100.0%	100.0%

Avg. Luminance (cd/m ²)			
	0	45	90
45	211706	202728	205033
55	197180	189738	188275
65	170576	156274	147325
75	97667	76827	67711
85	20095	14095	9837

Coefficients of Utilization %											
Pc---	80				70			50		0	
Pw---	70	50	30	10	70	50	30	50	30	10	0
RCR											
0	119	119	119	119	116	116	116	111	111	111	100
1	110	105	101	98	107	103	99	99	96	93	86
2	100	92	86	80	97	90	84	87	82	77	72
3	91	81	73	67	89	80	72	77	70	65	61
4	84	72	63	57	81	71	63	68	61	56	52
5	77	64	55	49	75	63	55	61	54	48	45
6	71	58	49	43	69	57	48	55	48	42	39
7	66	52	44	38	64	51	43	50	43	37	35
8	61	48	39	33	60	47	39	46	38	33	31
9	57	44	36	30	56	43	35	42	35	30	28
10	53	40	32	27	52	40	32	39	32	27	25



Photometric Test List

Catalog No.	Delivered Lumens	Input Watts	Efficacy
HCY14L8CST-UN3-DIM(4000K)	14937	105	143
HCY14L8CST-UN3-DIM(5000K)	14583	104	140
HCY21L8CST-UN3-DIM(4000K)	21971	155	142
HCY21L8CST-UN3-DIM(5000K)	20864	150	139
HCY28L8CST-UN3-DIM(4000K)	29948	209	144
HCY28L8CST-UN3-DIM(5000K)	28989	208	140
HCY33L8CST-UN3-DIM(4000K)	35536	248	144
HCY33L8CST-UN3-DIM(5000K)	34032	241	141



© 2020 Signify Holding. All rights reserved. The information provided herein is subject to change, without notice. Signify does not give any representation or warranty as to the accuracy or completeness of the information included herein and shall not be liable for any action in reliance thereon. The information presented in this document is not intended as any commercial offer and does not form part of any quotation or contract, unless otherwise agreed by Signify.

Signify North America Corporation
200 Franklin Square Drive,
Somerset, NJ 08873
Telephone 855-486-2216

Signify Canada Ltd.
281 Hillmount Road,
Markham, ON, Canada L6C 2S3
Telephone 800-668-9008

All trademarks are owned by Signify Holding or their respective owners.