

LEDVANCE Lamps

HID REPLACEMENT LAMPS

PERFORMANCE CLASS

Application

The LEDVANCE Performance Class HID replacement lamps are ideal for indoor high/low bay lighting and outdoor decorative post top fixtures in walkway lighting applications. The lumen and CCT selectable option allows for customizable light output replacing up to 1000W HID applications.

Benefits and Features

- Active cooling allows for the reduction in size of the lamp of up to 30%, allowing it to fit into tight spaces and more accurately mirroring the traditional ANSI footprint
- Lumen and CCT selectable light enabled through physical controls located on the lamp
- Rated for open and enclosed fixtures with an IP64 listing and polycarbonate lens
- 285° beam angle (or omnidirectional) with Type V distribution
- Up to 157 LPW
- 3000K, 4000K, and 5000K color temperature selectable via the switches located on the lamp
- CRI >80
- Each model offers three wattage levels adjustable via the switch located on the side of the lamp. The wattages of this family range from 10 to 450W
- Type V distribution
- Energy savings up to 83%

Electrical

- 120-277VAC or 277-480VAC
- Power Factor >90%
- THD <20%
- 4kV surge suppression

Rated Life

- 50,000 hours (L₇₀)

Warranty

- 5-year
- NLB Trusted Warranty Program

Ambient Operating Range

- -40°F to +122°F (-40°C to +50°C)



Wattage Comparison

Traditional Source	Traditional System Wattage	LED System Wattage	Energy Savings
50W Metal Halide	60	10	83%
70W Metal Halide	84	20	76%
100W Metal Halide	120	25	79%
150W Metal Halide	180	38	79%
150W Metal Halide	180	50	72%
175W Metal Halide	210	60	71%
250W Metal Halide	300	75	75%
320W Metal Halide	384	100	74%
400W Metal Halide	480	120	75%
750W Metal Halide	900	360	60%
1000W Metal Halide	1200	450	63%

Certifications and Listings

- cULus 1598c
- RoHS
- FCC Class B
- IP64
- Lead Free
- Mercury Free
- DLC 5.1 Standard

Installation

- Requires easy ballast by-pass
- Lamp operates directly on line voltage, 120-277VAC or 277-480VAC
- Suitable for both open and enclosed fixtures



Catalog #	Type
Project	
Comments	
Prepared by	

Ordering Guide

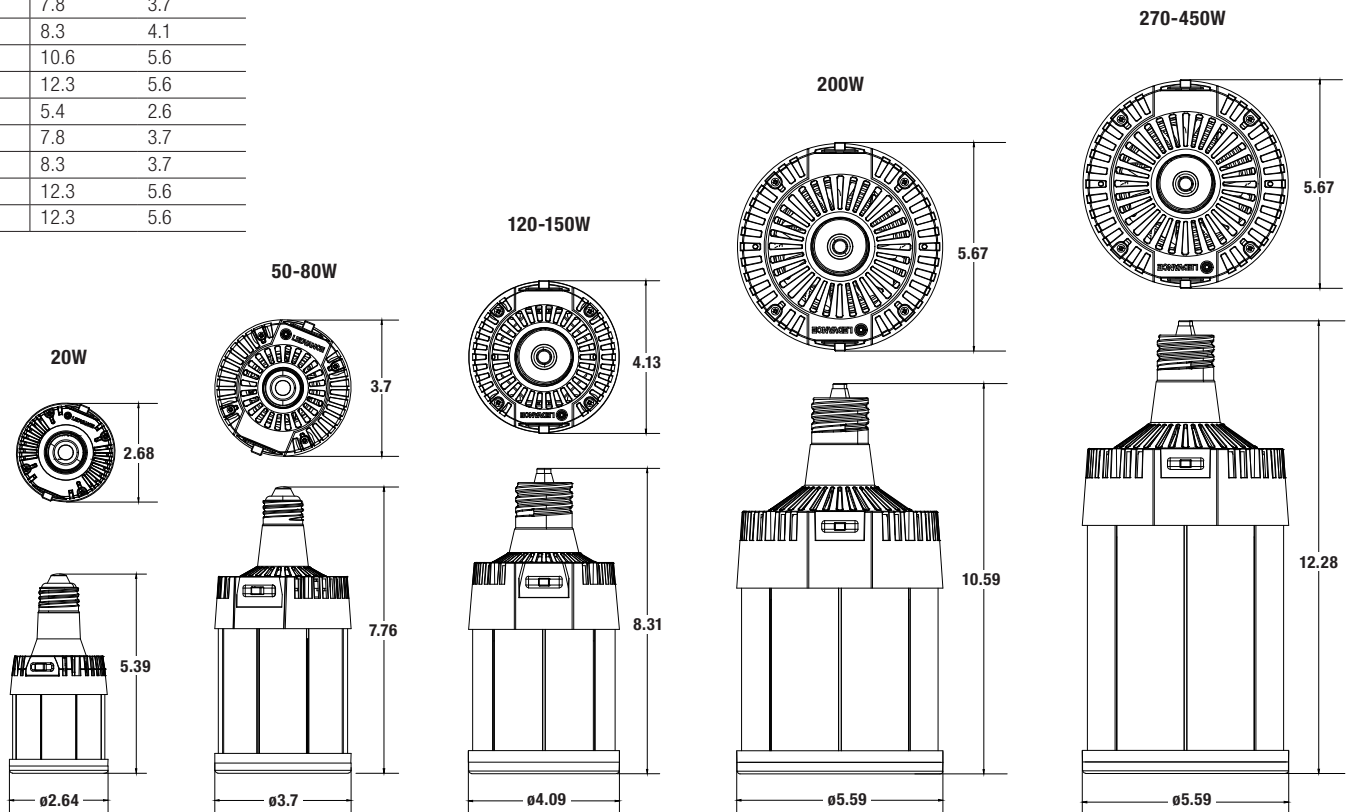
HIDr	1A	/	SXXX	XXX	8	SC2	/	XXX
Product Name	Generation		Wattage	Voltage	CRI	Color Temp		Base
HIDr = HID Retrofit Lamp	1A = Generation 1A		20 = 20W, 15W, 10W 50 = 50W, 38W, 25W 80 = 80W, 60W, 40W 120 = 120W, 90W, 60W 150 = 150W, 115W, 80W 200 = 200W, 150W, 100W 270 = 270W, 200W, 135W 360 = 360W, 270W, 180W 450 = 450W, 338W, 225W	UNV = 120-277V HUV = 277-480V	8 = >80	SC2= 3000, 4000, or 5000K		MED = E26 MOG = EX39

Ordering Information

Item Number	Ordering Abbreviation	Power (W)	Input Voltage (V)	CRI	Color Temp.	Total Fixture Lumens @4000K	LPW @4000K	DLC	Base Type
42000	HIDr1A/S20UNV8SC2/MED	20W/15W/10W	120-277	>80	3000, 4000, or 5000K	2800lm/2025lm/1400lm	Up to 150	Exempt	E26
42001	HIDr1A/S50UNV8SC2/MED	50W/38W/25W	120-277	>80	3000, 4000, or 5000K	7500lm/5700lm/3875lm	Up to 150	Exempt	E26
42002	HIDr1A/S120UNV8SC2/MOG	120W/90W/60W	120-277	>80	3000, 4000, or 5000K	18000lm/13000lm/9000lm	Up to 150	5.1 Std	EX39
42003	HIDr1A/S200UNV8SC2/MOG	200W/150W/100W	120-277	>80	3000, 4000, or 5000K	31000lm/24700lm/17000lm	Up to 150	5.1 Std	EX39
42004	HIDr1A/S270UNV8SC2/MOG	270W/200W/135W	120-277	>80	3000, 4000, or 5000K	43200lm/33000lm/21450lm	Up to 148	5.1 Std	EX39
42005	HIDr1A/S050HUV8SC2/MOG	50W/38W/25W	277-480	>80	3000, 4000, or 5000K	7750lm/5890lm/3875lm	Up to 140	5.1 Std	EX39
42006	HIDr1A/S080HUV8SC2/MOG	80W/60W/40W	277-480	>80	3000, 4000, or 5000K	12400lm/9300lm/6200lm	Up to 150	5.1 Std	EX39
42007	HIDr1A/S150HUV8SC2/MOG	150W/115W/80W	277-480	>80	3000, 4000, or 5000K	23250lm/17825lm/12400lm	Up to 157	5.1 Std	EX39
42008	HIDr1A/S360HUV8SC2/MOG	360W/270W/180W	277-480	>80	3000, 4000, or 5000K	55800lm/41850lm/27900lm	Up to 147	5.1 Std	EX39
42009	HIDr1A/S450HUV8SC2/MOG	450W/338W/225W	277-480	>80	3000, 4000, or 5000K	69750lm/52390lm/34875lm	Up to 144	5.1 Std	EX39

Physical Information

NAED	Length (in)	Diameter (in)
42000	5.4	2.6
42001	7.8	3.7
42002	8.3	4.1
42003	10.6	5.6
42004	12.3	5.6
42005	5.4	2.6
42006	7.8	3.7
42007	8.3	3.7
42008	12.3	5.6
42009	12.3	5.6



Dimensions in inches

Active Vs Passive Cooling Product Comparison

50W comparison



120W comparison



LEDVANCE LLC

181 Ballardvale Street, Suite 203

Wilmington, MA 01887 USA

Phone 1-800-LIGHTBULB (1-800-544-4828)

www.ledvanceUS.com

LEDVANCE is a registered trademark. All other trademarks are those of their respective owners. Specifications subject to change without notice.



SCAN TO FOLLOW US
ON SOCIAL MEDIA

© 2022 LEDVANCE LLC

