

# HX Select G2

## LED High Bay Gen 2 **PERFORMANCE XP**

Due to continuous product improvements, specification and/or equipment updates may change without notice.



**HX Select G2**

**Selectable Power Switch**

(Images are shown for illustration purposes only)

The HX Selectable High Bay delivers very high lumen output with a thin, heat dissipation engineered housing for a reliable, bright lighting. 4 switch selectable settings for different mounting heights and applications, this high bay is great for stocking and future-proofing your lighting investment. Built-in sensor receptacle makes for an easy controls upgrade with minimal installation process.

Catalog Number	Description	Lumens	Watts	CCT	Voltage
HX LS700 WD G2 4K	LED High Bay with Built-In Bi-Level PIR Sensor Receptacle	Selectable 31,000 - 72,000 Lm	Selectable 168 - 410 W	4000K	120V - 277V
HX LS700 WD G2 5K	LED High Bay with Built-In Bi-Level PIR Sensor Receptacle	Selectable 31,000 - 72,000 Lm	Selectable 168 - 410 W	5000K	120V - 277V
HX LS700 WD G2 HVU 5K	LED High Bay - High Voltage - with Built-In Bi-Level PIR Sensor Receptacle	Selectable 31,000 - 72,000 Lm	Selectable 168 - 410 W	5000K	347V - 480V

### ORDERING GUIDE

Example: HX LS700 WD G2 4K

Fixture Type	Selectable Lumen Output	Distribution	Generation	Voltage	CCT	Finish	Options - Controls
• HX LED High Bay	<ul style="list-style-type: none"> <li>• <b>LS700</b></li> <li>31,000 Lm / 164 W</li> <li>45,500 Lm / 246 W</li> <li>59,000 Lm / 328 W</li> <li>72,000 Lm / 410 W</li> </ul>	<ul style="list-style-type: none"> <li>• <b>WD</b></li> <li>Wide Distribution</li> <li>120° Lens</li> </ul>	<ul style="list-style-type: none"> <li>• <b>G2</b> Second Generation</li> </ul>	<ul style="list-style-type: none"> <li>• <b>BLANK</b></li> <li>120-277 V</li> <li>w/ included surge protector</li> <li>• <b>5K</b></li> <li>4000K</li> <li>• <b>HVU*</b></li> <li>347-480 V</li> <li>w/ included surge protector</li> </ul>	<ul style="list-style-type: none"> <li>• <b>4K</b></li> <li>4000K</li> <li>• <b>5K</b></li> <li>4000K</li> </ul>	<ul style="list-style-type: none"> <li>• <b>BLANK</b></li> <li>Dark Bronze</li> </ul>	<ul style="list-style-type: none"> <li>• <b>BLANK</b></li> <li>None</li> <li>• <b>Bluetooth Controls</b></li> <li>• <b>MSB-DCE-06</b> <b>OSLG sync</b></li> <li>Bluetooth motion sensor</li> <li><b>L3</b> Medium Bay lens</li> <li><b>L7</b> High Bay lens</li> <li>• <b>Basic Controls</b></li> <li>• <b>MS-DCE-09-L7</b></li> <li>Motion sensor</li> <li>• <b>RM06</b></li> <li>Remote control for motion sensor</li> </ul>

\*HVU model only available in 5000K CCT.

# HX Select G2



## Performance

5000K

Series Number	Power Percentage	Wattage	CRI	LUMENS	LPW
HX LS700 WD G2 5K	100%	410 W	70	72,000 Lm	176 Lm/W
	80%	328 W	70	59,000 Lm	180 Lm/W
	60%	246 W	70	45,500 Lm	185 Lm/W
	40%	164 W	70	31,000 Lm	189 Lm/W

## Electrical Load

	Power Setting	Wattage	Current (A)					Power Setting	Wattage	Current (A)	
			120V	208V	240V	277V				347V	480V
HX LS700 WD G2	Low	164 W	1.37	0.79	0.68	0.59	HX LS700 WD G2 HVU	Low	164 W	0.47	0.34
	Med	246 W	2.05	1.18	1.03	0.89		Med	246 W	0.71	0.51
	High	328 W	2.73	1.58	1.37	1.18		High	328 W	0.95	0.68
	Max	410 W	3.42	1.97	1.71	1.48		Max	410 W	1.18	0.68

## Specifications

### Housing

Durable, die-cast aluminum housing with heat dissipating fins.

### Efficacy

Up to 189 lumens per watt.

### Mounting

Hook mount and 3/4" conduit pendant mount options.

### Operating Temperature

-40° C to 55° C (-40° F to 131° F) when wattage is above 300W or max to 65° C (149° F) when wattage is below 300W

### CCT and CRI

4000K and 5000K - 70 CRI

### Lumen Output

Field selectable: 31,000 - 72,000 Lm.

### Electrical

Standard 120-277V  
High Voltage HVU 347V - 480V

### Optics

120° Lens

### Dimming Range

0-10V dimming standard for a dimming range of 100% to 10%.

### Surge Protector

Standard 100-277V  
HVU 277-480V

Nominal discharge current (8/20us) 10KA, 10KV

Protection mode: L-N, L-PE, N-PE

### Certifications

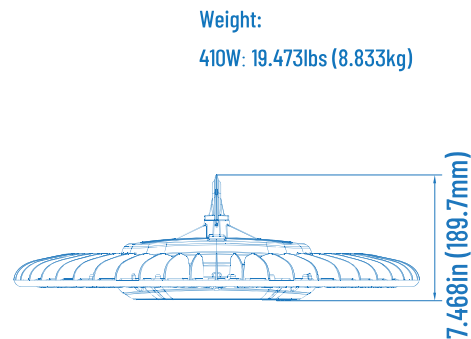
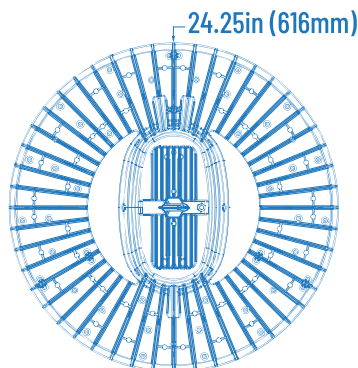
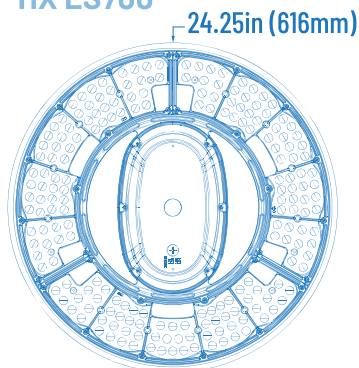
UL Listed for wet locations.  
FCC compliant. Design Lights Consortium® (DLC) 5.1 Premium listed pending.

### Warranty

10-year limited warranty. Comprehensive warranty terms can be located on [www.slgus.com](http://www.slgus.com).

## Dimensions

HX LS700



Weight:

410W: 19.473lbs (8.833kg)

## Bluetooth Motion sensor



**MSB-DCE-06**  
(Pictured with L7 lens)

### Specifications:

**Input Voltage**  
DC 12V

**IP Rating**  
IP66

**Input Current**  
50mA Max

**Input Power**  
0.6 W

**Output Voltage**  
DC 10V

**Output Current**  
10mA Max

**Output Power**  
0.1W

**Sinking Current**  
10mA Max

**Bluetooth Transmit**  
200 ft. Max

**Radio Frequency**  
2.4 GHz +- 75 MHz

**Mounting Height**  
20 - 40 ft

**Dimming**  
Class 2, 0-10V DC 10mA Max

**Detection Range**  
40 - 80 ft

**Operating Temperature**  
-30°C to 55°C (-22°F to 131°F)

**Warranty**  
5 Year warranty

## Commissioning

This Bluetooth sensor/controller is easily commissioned via the SLG Sync app, available for download on Google Play and the App Store.

### App Download:



For commissioning guide and more information visit:

[www.slgsync.com](http://www.slgsync.com)

## Basic Motion sensor



**MS-DCE-09-L7**

### Specifications:

**Input Voltage**  
DC 12V

**Input Current**  
<30mA

**Voltage Range**  
10 - 15VDC

**Output Power**  
0.1W

**Detection Angle**  
120°

**IP Rating**  
IP65

**Detection Range**  
≥ 9 ft

**Mounting Height**  
Up to 40 ft

**Dimming**  
0-10V

**Operating Temperature**  
-20°C to 60°C (-4°F to 140°F)

**Warranty**  
5 Year warranty

## Commissioning

This basic sensor is commissioned via the RM06 remote. Either pre-commissioned or commissioned on site.

