

FEATURES & SPECIFICATIONS

INTENDED USE — Ideal one-for-one replacement of conventional lighting systems such as HID and fluorescent. Applications include manufacturing, warehousing and other large indoor spaces with mounting heights ranging from 10' – 40'. Luminaire shall be suspended a minimum 18" from ceiling. Surface mounting is not permitted. **Certain airborne contaminants can diminish integrity of acrylic.** [Click here for Acrylic Environmental Compatibility table for suitable uses.](#)

CONSTRUCTION — Lightweight aluminum heat sink designed to perform at warm ambient temperatures. Due to precision thermal engineering for maximum naturally convective cooling this fixture provides lumen drop that is less than fluorescent. Fabricated steel channel provides maximum rigidity.

OPTICS — Narrow and wide distributions available to meet both horizontal and vertical light level requirements. Reflectors feature precision-formed optics utilizing reflective Alanod® MIRO-5° aluminum to achieve narrow distribution and white polyester powder coat to achieve wide distribution. Semi-diffuse lens optional to provide glare control and LED protection.

ELECTRICAL — 70% lumen maintenance at 100,000 hours; predicted life of more than 100,000 hours. Thermally protected driver standard with 0-10V dimming.

INSTALLATION — Suitable for suspension by chain, cable, surface-mounting bracket, hook monopoint or single (pendant) monopoint. Surface mounting not recommended without optional surface mounting bracket. To maintain ambient listing, fixture should be mounted at a minimum plenum height of 18".

LISTINGS — CSA certified to US and Canadian safety standards. Damp location listed. For use in ambient operating temperatures ranging from -40°C to 40°C.

GOVERNMENT PROCUREMENT — BAA – Product with the BAA option qualifies as a domestic end product under the Buy American Act as implemented in the FAR and DFARS. Product with the BAA option also qualifies as manufactured in the United States under DOT Buy America regulations.

BABA – Build America Buy America: Product with the BAA option also qualifies as produced in the United States under the definitions of the Build America, Buy America Act.

Please refer to www.acuitybrands.com/buy-american for additional information.

WARRANTY — 5-year limited warranty. This is the only warranty provided and no other statements in this specification sheet create any warranty of any kind. All other express and implied warranties are disclaimed. Complete warranty terms located at: www.acuitybrands.com/support/warranty/terms-and-conditions

Note: Actual performance may differ as a result of end-user environment and application.

All values are design or typical values, measured under laboratory conditions at 25 °C.

Specifications subject to change without notice.

Catalog Number
Notes
Type

LED High Bay

IBHST

9,000 through 30,000 Lumens

Patent Pending



A+ Capable Luminaire

This item is an A+ capable luminaire, which has been designed and tested to provide consistent color appearance and out-of-the-box control compatibility with simple commissioning.

- All configurations of this luminaire meet the Acuity Brands' specification for chromatic consistency
- This luminaire is part of an A+ Certified solution for nLight® control networks marked by a [shaded background](#)*

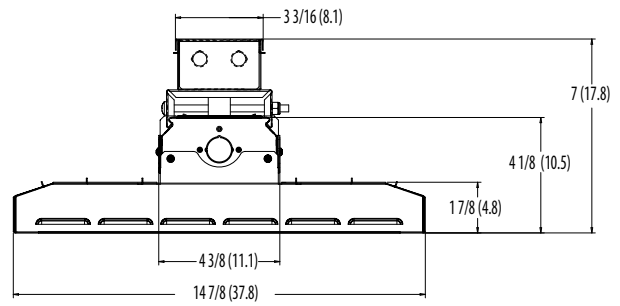
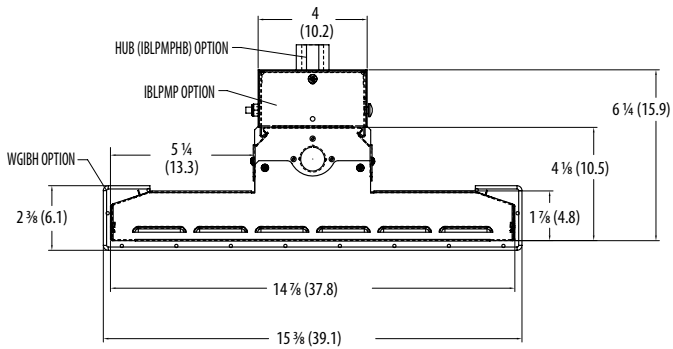
To learn more about A+, visit www.acuitybrands.com/aplus.

*See ordering tree for details

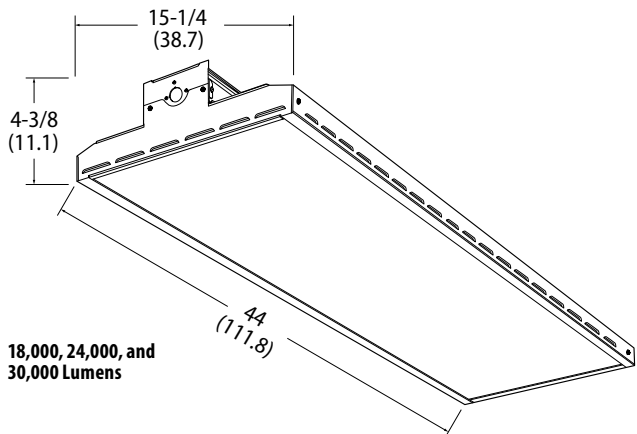
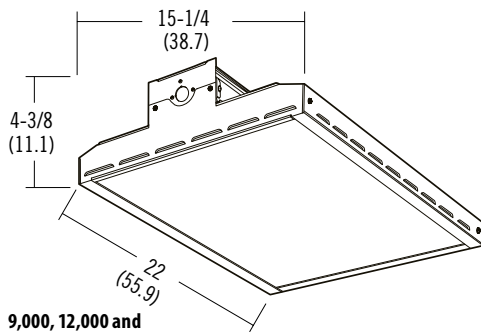
IBHST LED High Bay

DIMENSIONS

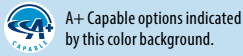
All dimensions are in inches (centimeters) unless otherwise indicated.
Dimensions may vary with options or accessories.



Fixture utilizing back pack.



IBHST LED High Bay



ORDERING INFORMATION

Lead times will vary depending on options selected. Consult with your sales representative.

Example: IBHST 18000LM SD080 MD MVOLT OZ10 40K 70CRI WH

IBHST					OZ10		
Series	Lumens	Lens	Distribution	Voltage	Driver	Color temperature	Color rendering index
IBHST LED bay light, solid top	9000LM 9,000 lumens ¹	SD080 Semi-diffuse acrylic L/LENS Less lens ²	ND Narrow MD Medium	MVOLT 120-277V	OZ10 0-10V dimming	30K 3000 K	70CRI 70 CRI
	12000LM 12,000 lumens ¹			HVOLT 347V-480V ^{1,3}		35K 3500 K	80CRI 80 CRI
	15000LM 15,000 lumens			120 120V		40K 4000 K	90CRI 90 CRI
	18000LM 18,000 lumens			208 208V		50K 5000 K	
	24000LM 24,000 lumens			240 240V			
	30000LM 30,000 lumens			277 277V			
				347 347V ^{1,3} 480 480V ^{1,3}			

Options			Finish
GLR Internal fast-blow fuse ⁴		<u>Motion sensors:</u>	WH Gloss white
BSL20HV Battery pack, CEC compliant ^{5,6}		LCOZU Aisle motion sensor, pre-wired ^{4,12}	MB Matte black
BGTD Generator transfer device ⁷		LCHOSZU Aisle motion sensor, pre-wired; programmable dimming ^{4,12}	
OUTCTR Wiring leads pulled through back center of fixture (not available with back pack)		LCPZU Aisle motion sensor with photocell; pre-wired ^{4,12}	
SPD Surge protection device ⁸		LAOZU 360° motion sensor, pre-wired ^{4,12}	
OCS RELOC® OnePass® 5' installed ⁴		LAHOSZU 360° motion sensor, pre-wired; programmable dimming ^{4,12}	
RRL RELOC®-ready luminaire. See page 5 for ordering information (must be ordered separately)		LAPZU 360° motion sensor with photocell, pre-wired ^{4,12}	
IMP Integrated modular plug (not available with 347V or 480V) ^{4,9}		LAMOSZU 360 motion sensor, dimming and switching photocell, pre-wired (T24 compliant) ^{4,12}	
WGX Standard wire guard, installed		LCMOSZU Aisle motion sensor, dimming and switching photocell, pre-wired (T24 compliant) ^{4,12}	
BAA Buy America(n) Act Compliant		nPP16D nLight® switching/dimming module ^{4,13}	
<u>Cord sets:</u>		nPP16DER nLight® switching/dimming module with emergency relay ^{4,14}	
CS1W Straight plug, 120V ^{10,11}		nMSI nLight, aisle motion sensor, pre-wired ^{4,15}	
CS3W Twist-lock, 120V ^{10,11}		nMSI360 nLight, 360° motion sensor, pre-wired ^{4,16}	
CS7W Straight plug, 277V ^{10,11}		nMSID nLight, aisle motion sensor, pre-wired, dimming ^{4,17}	
CS11W Twist-lock, 277V ^{10,11}		nMSI360D nLight, 360° motion sensor, pre-wired, dimming ^{4,18}	
CS25W Twist-lock, 347V ^{10,11}			
CS97W Twist-lock, 480V ^{10,11}			
CS93W 600V SE00W white cord, no plug (no voltage required) ¹⁰			

Accessories: Order as separate catalog number.		
<u>Mounting:</u>	<u>Wire guards:</u>	<u>Cord sets and sensors for IMP option:</u>
IBAC120 M100 Aircraft cable 10' with hook (one pair)	WGIBH Wire guard for use with 9000LM - 15000LM fixtures	CS1WIMP Straight plug, 120V ^{10,11,20}
IBAC240 M75 Aircraft cable 20' with hook (one pair)	WGIBH4 Wire guard for use with 18000LM - 30000LM fixtures	CS3WIMP Twist-lock, 120V ^{10,11,20}
IBHMP Hook monopoint		CS7WIMP Straight plug, 277V ^{10,11,20}
ZACVH Aircraft 10' V hanger (one pair)		CS11WIMP Twist-lock, 277V ^{10,11,20}
IBLPMP Pendant monopoint splice box, includes side covers (not available with fixtures utilizing back pack when ordered with 347, 480 & HVOLT)		CS25WIMP Twist-lock 347V ^{10,11,20}
IBLPMPHB Pendant monopoint splice box with 3/4" hub, includes side covers (not available with fixtures utilizing back pack when ordered with 347, 480 & HVOLT)		CS93WIMP 600V SO white cord, no plug (no voltage required) ^{10,11,20}
HC36 Hanger chain, 36" (one pair)		CS97WIMP Twist-lock 480V ^{10,11,20}
THUN Tong hanger bracket (order 2 per fixture) ¹⁹		MSIIMP Aisle sensor ^{5,20}
		MSI360IMP 360° sensor ^{5,20}

See footnotes on page 3



IBHST

Notes

- 1 Lumen package chosen utilizes a step down transformer when ordered with 347, 480, or HVOLT. Step down transformer requires a back pack mounted to fixture channel. Not available with IBLPMP or IBLPMPHB pendant accessories.
- 2 Visible pixilation is present when choosing L/LENS option. Not recommended for applications where direct viewing of high intensity LED's will be unacceptable.
- 3 Ships standard with surge protection.
- 4 Must specify voltage.
- 5 Available with MVOLT, 120, 208, 240, and 277 only. Battery pack will be installed on top of fixture. THUN hanger bracket not available when used with battery.
- 6 Available for use in ambient temperatures from 0C (32°F) to 40°C (104°F).
- 7 BGTD utilizes fixture backpack. For use in ambient temperatures up to 30°C.
- 8 Ships standard on HVOLT, 347, and 480V and all Motion sensors.
- 9 Must be factory installed. Must have "IMP" power cord to power fixture. Cordsets may be ordered with fixture or as accessory. Not for use with THUN mounting accessory.
- 10 All cord sets are 18/3, 6', white.
- 11 Cord sets are voltage specific. Specify voltage. Other configurations available. Consult factory.
- 12 Other configurations available, see page four for additional options. Maximum ambient temperature 104°F (40°C).
- 13 347V and 480V with nPP16D utilizes a step down transformer. Not available with 9000LM, 12000LM, and 15000LM when ordered with BSL20HV.
- 14 347V and 480V with nPP16DER utilizes a step down transformer. Not available with 9000LM, 12000LM, and 15000LM when ordered with BSL20HV.
- 15 nMSI options utilizes a nPP16 and nCMB 50 sensor, CAT5e connector cable also included. Not available with 9000LM, 12000LM and 15000LM when ordered with BSL20HV.
- 16 nMSI360 options utilizes a nPP16 and nCMB 6 sensor, CAT5e connector cable also included. Not available with 9000LM, 12000LM and 15000LM when ordered with BSL20HV.
- 17 nMSID options utilizes a nPP16D and nCMB 50 sensor CAT5e connector cable also included. Not available with 9000LM, 12000LM and 15000LM when ordered with BSL20HV.
- 18 nMSI360D options utilizes a nPP16D and nCMB 6 sensor, CAT5e connector cable also included. Not available with 9000LM, 12000LM and 15000LM when ordered with BSL20HV.
- 19 For use in applications with ambient temperatures up to 30°C. Not for use on fixtures with BSL20HV, HVOL T when ordered with 9000LM, 12000LM, XAD, XPW, or nPP16D. Not for use with IMP option.
- 20 Fixtures must have IMP option.

PHOTOMETRICS

See www.lithonia.com.

OPERATIONAL DATA

Lumen package	Ambient rating*	Lens option	70CRI, 40K	70CRI, 50K	80CRI, 40K	80CRI, 50K
9000LM	-40°F to 104°F (-40°C to 40°C)	SD080	9,411	9,500	8,796	8,872
		L/LENS	10,053	10,149	9,396	9,477
12000LM	-40°F to 104°F (-40°C to 40°C)	SD080	12,396	12,280	11,478	11,576
		L/LENS	13,242	13,119	12,261	12,366
15000LM	-40°F to 104°F (-40°C to 40°C)	SD080	15,356	15,212	14,218	14,340
		L/LENS	16,404	16,251	15,189	15,318
18000LM	-40°F to 104°F (-40°C to 40°C)	SD080	18,478	18,306	17,109	17,255
		L/LENS	19,740	19,555	18,277	18,433
24000LM	-40°F to 104°F (-40°C to 40°C)	SD080	25,535	25,297	23,643	23,845
		L/LENS	27,278	27,023	25,257	25,473
30000LM	-40°F to 104°F (-40°C to 40°C)	SD080	30,503	30,218	28,243	28,484
		L/LENS	32,585	32,280	30,171	30,428

* Ambient temperature ratings vary depending on options selected.

CHARACTERISTICS

Lumen package	Wattage				Length	Width	Depth	Weight without Lens (Lens kit adds approx. 7 lbs (2.3 kg))	Comparable light source
	120V	277V	347V	480V					
					Dimensions are shown in inches (centimeters) unless otherwise noted.				
9000LM	79	78	84	87	22 (55.9)	15-1/4 (38.7)	4-3/8 (11.1)	10 lbs (4.5 kg)	2-lamp T5HO
12000LM	112	109	118	120	22 (55.9)	15-1/4 (38.7)	4-3/8 (11.1)	10 lbs (4.5 kg)	4-lamp T8, 250W HID
15000LM	140	137	143	143	22 (55.9)	15-1/4 (38.7)	4-3/8 (11.1)	10 lbs (4.5 kg)	4-lamp T5HO, 6-lamp T8
18000LM	146	142	142	143	44 (111.8)	15-1/4 (38.7)	4-3/8 (11.1)	20 (9.1 kg)	4-lamp T5HO, 6-lamp T8, 400W HID
24000LM	221	216	209	210	44 (111.8)	15-1/4 (38.7)	4-3/8 (11.1)	20 (9.1 kg)	6-lamp T5HO, 8-lamp T8
30000LM	280	272	264	265	44 (111.8)	15-1/4 (38.7)	4-3/8 (11.1)	20 (9.1 kg)	8-lamp T5HO

PROJECTED LUMEN MAINTENANCE

Operating hours	0	10,000	20,000	25,000	35,000	50,000	60,000	75,000	100,000
Lumen maintenance factor	1	0.97	0.94	0.94	0.89	0.84	0.81	0.77	0.70

LUMENS VS. AMBIENT TEMPERATURE

Ambient °C	Ambient °F	Lumen multiplier
0	32	1.03
5	41	1.03
10	50	1.02
15	59	1.01
20	68	1.01
25	77	1.00
30	86	.98
35	95	.89
40	104	.79

LSXR - Fixture Mount Sensor (see www.sensorswitch.com for additional information)

- Four interchangeable lenses.
- Integrated mounting bracket drops lens down 3" from chase nipple.
- Single or dual relay versions — designed with robust protection from the harsh switching requirements of T5 and LED loads.
- Photocell and 0-10VDC dimming options.
- No PIR field calibration or sensitivity adjustments required.



LSXR configuration	Comparable CMRB sensor	Old style sensor nomenclature
For shortest lead times use one of the following LSXR configurations		
LCOZU	CMRB 50	MSI
LCHOSZU	CMRB 50 D	MSID
LCPZU	CMRB 50 P	MSIPED
LAOZU	CMRB 6	MSI360
LAHOSZU	CMRB 6 D	MSI360D
LAPZU	CMRB 6 P	MSI360PED

SELECTIONS BELOW WILL EXTEND ORDER LEAD TIME. CONSULT YOUR SALES REPRESENTATIVE FOR DETAILS.

SINGLE RELAY

ORDERING INFORMATION

Lead times will vary depending on options selected. Consult with your sales representative.

Example: LAHOSZU

Series	Lens option	Dimming/Photocell	Max. dim Level	Min. dim level	Temp/Humidity	Default time delay
L LSXR passive infrared indoor occupancy sensor	A High mount, 360°	O None ¹	0 10 VDC	5 Minimum dimming level of ballast	Z None	I 30 seconds
	B Low mount, 360°	H High/low occupancy operation	9 9 VDC	1 1 VDC	T Low temperature	D 2.5 minutes
	C High mount aisleway	P Switching photocell (on/off)	8 8 VDC	2 2 VDC	3 3 VDC	X 5 minutes
		M Dimming and switching photocell	7 7 VDC	4 4 VDC	4 4 VDC	R 7.5 minutes
		G Dimming and switching photocell with high/low occupancy operation		5 5 VDC	5 5 VDC	U 10 minutes (with minimum 15 minutes on time)
				6 6 VDC	6 6 VDC	V 15 minutes
						W 20 minutes
				Y 30 minutes		

DUAL RELAY (Available with 120, 277, and 347V only)

ORDERING INFORMATION

Lead times will vary depending on options selected. Consult with your sales representative.

Example: LA2KZU

Series	Lens option	Poles	Operating mode	Temp/Humidity	Default time delay
L LSXR passive infrared indoor occupancy sensor	A High mount, 360°	2 Dual relay	J None	Z None	I 30 seconds
	B Low mount, 360°		K Alternating off relays (promotes even lamp wear)	T Low temperature	D 2.5 minutes
	C High mount aisleway		O Alternating off relays w/photocell	X 5 minutes	
			P Switching photocell (on/off)	R 7.5 minutes	
			E Photocell on/off (pole 1 only)	U 10 minutes (with minimum 15 minutes on time)	
			F Photocell on/off - both poles (dual set-point)	V 15 minutes	
				W 20 minutes	
	Y 30 minutes				

Example: LENS 50 J100

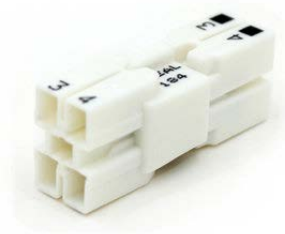
Replacement lenses: Order as separate catalog number.		
Series	Lens type	Package quantity
Lens	6 High mount 360°	U Unit
	10 Low mount 360°	J10 10-pack
	50 High mount aisleway	J100 100-pack

Notes

- 1 Dimming level fields not required when this option is chosen.

RRL - RELOC®-Ready Luminaire

- RRL connectors can be used with Quick-Flex®, System 820 and OnePass® systems.
- Load side of connector factory installed to luminaire.
- 4-pole mating connector with push-in terminations allows for simple installation.
- Touch-safe design on both halves meets UL/CSA requirement.
- Wiping contact design allows safe disconnect under load.



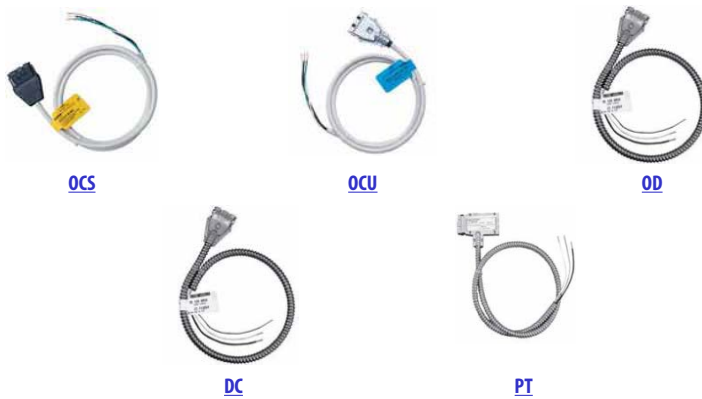
ORDERING INFORMATION

Lead times will vary depending on options selected. Consult with your sales representative.

Example: RRLA

Series	Wiring instructions	
RRL RELOC®-ready luminaire	A	Hot conductor wired to position #1 (phase A)
	B	Hot conductor wired to position #2 (phase B)
	C	Hot conductor wired to position #3 (phase C) ¹
	AB	Outboard hot conductor wired to position #1 (phase A), inboard hot conductor wired to position #2 (phase B)
	AE	Hot conductor wired to position #1 (phase A), hot conductor #2 wired to position #2 (phase B) ²
	ABE	Hot conductor wired to position #1 (phase A), hot conductor #2 wired to position #2 (phase B), inverter conductor wired to position #3 (phase C) ^{1,2}
	C12S	Hot conductor in position #1 (phase A), low voltage conductor #1 in position #2, low voltage conductor #2 in position #3 ^{1,3}

Compatible RELOC® Cables for Industrial Luminaires (shipped and ordered separately)



Notes

- 1 C, ABE, and C12S options are not used with Quick-Flex QFC, QSFC, QPT, and QD.
- 2 AE and ABE commercial fixtures should disconnect the TSPL before unplugging the RRL so it does not go into discharge mode.
- 3 C12S option is used with the OnePass OD and 820 SSC, PT, and DC for 0-10V/DALI applications.