

Catalog Number
Notes
Type

FEATURES & SPECIFICATIONS

INTENDED USE — The JHBL is constructed to withstand moisture, dust, and chemical contact. Common applications for JHBL include demanding environments such as manufacturing, foundries, natatoriums, gymnasiums, automotive manufacturing, packaging, and cold storage. Ideal one-for-one replacement of conventional HID and fluorescent high bay systems.

CONSTRUCTION — Electrical housing is off-set from the optical assembly for maximum heat dissipation. Rugged die-cast aluminum housing and corrosion resistance. Housing utilizes die cut rubber gasketing to seal the optical and electrical compartments from dust and moisture. Wire guard attachment points are precast in optical housing. Housing and optics maintain IP65 rating with all internal components including optional integrated sensor.

OPTICS — One piece precision molded .375" thick borosilicate glass that is silicone rubber gasketed. Optional non-silicone gasket available and recommended for automotive applications.

ELECTRICAL — Non-class 2 drivers standard for maximum life at high temperatures. Less than 10% THD and PF >90. 6kV/3kA level of surge protection is standard. Multiple voltages available including HVOLT and 250VDC. Lumen maintenance is 90% at 60,000 hours. L70 greater than 100,000 hours. 0-10V dimming standard for a dimming range of 100% to 10% - dimming source current is 150 microA

INSTALLATION — 3/4 inch NPS threaded hub standard that is suitable for pendant, hook or loop mounting with appropriate mounting accessories. See accessories for available options.

LISTINGS — CSA certified to US and Canadian safety standards. Wet location listed. IP65 rated. Suitable for use in ambient temperatures from -40°F (-40°C) to 131°F (55°C). High ambient (HA option) up to 65°C available for MVOLT, HVOLT and 250VDC drivers. Patent pending. Covered ceiling not required to maintain wet location listing or IP ratings.

DesignLights Consortium® (DLC) qualified product. Not all versions of this product may be DLC qualified. Please check the DLC Qualified Products List at www.designlights.org to confirm which versions are qualified.

WARRANTY — 5-year limited warranty. Complete warranty terms located at www.acuitybrands.com/CustomerResources/Terms_and_conditions.aspx

Note: Actual performance may differ as a result of end-user environment and application.

All values are design or typical values, measured under laboratory conditions at 25 °C.

Specifications subject to change without notice.

LED IP Rated High Bay

JHBL

12000LM, 18000LM,
24000LM, 30000LM,
35000LM, 40000LM,
45000LM



A+ Capable Luminaire

This item is an A+ capable luminaire, which has been designed and tested to provide consistent color appearance and out-of-the-box control compatibility with simple commissioning.

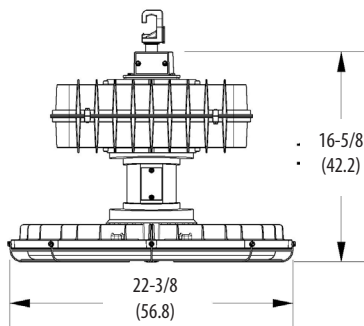
- All configurations of this luminaire meet the Acuity Brands' specification for chromatic consistency
- This luminaire is part of an A+ Certified solution for nLight® or XPoint™ Wireless control networks marked by a **shaded background***

To learn more about A+, visit www.acuitybrands.com/aplus.

*See ordering tree for details

DIMENSIONS

All dimensions are in inches (centimeters) unless otherwise indicated.
Dimensions may vary with options or accessories.



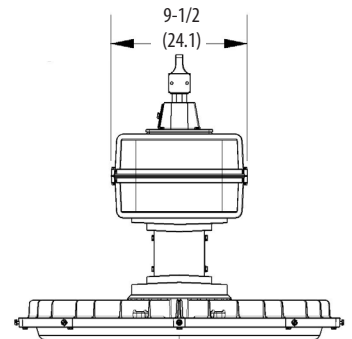
45000LM and under

Typical weight:

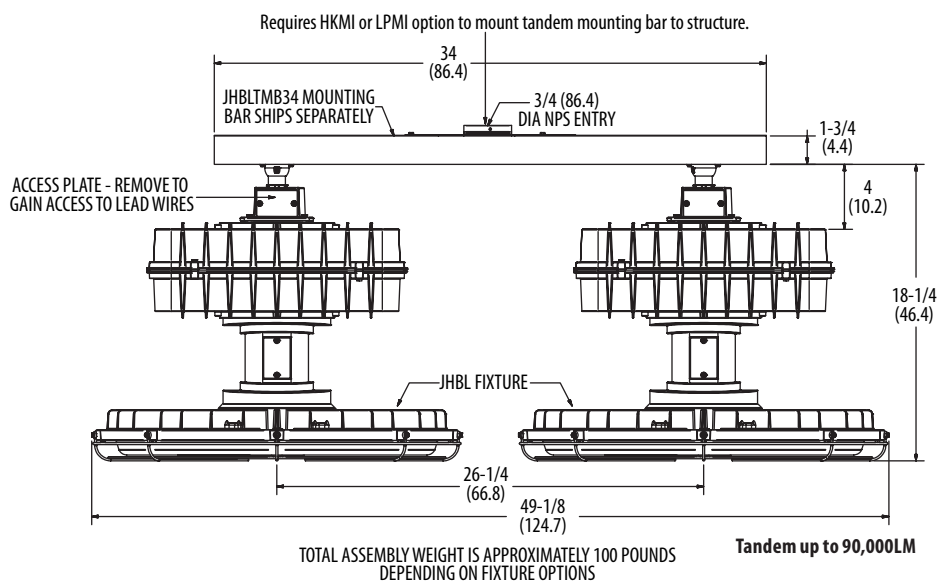
A cartoned luminaire weighs 50 lbs.;
unboxed it weighs 43 lbs.

Shown with HKM(G) mounting accessory.

See accessory options on page 2.



45000LM and under



TOTAL ASSEMBLY WEIGHT IS APPROXIMATELY 100 POUNDS
DEPENDING ON FIXTURE OPTIONS

Tandem up to 90,000LM

JHBL LED IP Rated High Bay



A+ Capable options indicated by this color background.

ORDERING INFORMATION

Lead times will vary depending on options selected. Consult with your sales representative. **Example:** JHBL 18000LM GL WD MVOLT GZ10 50K 70CRI CS89 DWHXD

JHBL		GL			GZ10		
Series	Lumens-(single unit)	Lens	Distribution	Voltage	Driver	Color temperature	Color rendering index
JHBL	12000LM 12,000 lumens	GL Glass	WD Wide	MVOLT 120-277V	GZ10 0-10V dimming	35K 3500 K	70CRI 70 CRI
	18000LM 18,000 lumens	ACL Clear Acrylic	ND Narrow	HVOLT 347-480V		40K 4000 K	80CRI 80 CRI
	24000LM 24,000 lumens	PCL Clear Polycarbonate		120 120V		50K 5000 K	90CRI 90 CRI
	30000LM 30,000 lumens ¹			277 277V			
	35000LM 35,000 lumens ¹			347 347V			
	40000LM 40,000 lumens ^{1,2}			480 480V			
	45000LM 45,000 lumens ^{1,2}			250DC 250VDC ³			

Options				Color ¹⁴
SF	Single fusing ^{4,5}	Controls: ¹²		Super durable finishes
DF	Double fusing ^{4,6}	MSE6NWL	Embedded high mount 360° motion sensor, wet location, On/Off operation ^{4,7}	DWHXD White
BSL722	Bodine® emergency LED battery pack for 0°C and up ^{4,7,8}	MSE62L3VWL	Embedded high mount 360° motion sensor, wet location, High/Low operation (2-level) ^{3,7}	DNAXD Natural aluminum
BSL722C	Bodine® emergency LED battery pack for 20°C and up ^{4,7,8}	MSE6NWL DSCNWL	Embedded high mount 360° motion sensor, wet location, On/Off operation from motion sensing, Override Off due to daylight ^{4,7}	DWHGXD Textured white
WGX	Standard wire guard, installed	MSE10NWL	Embedded low mount 360° motion sensor, wet location, On/Off operation ^{4,7}	DNATXD Textured natural aluminum
NSG	Non-silicone gasket	MSE102L3VWL	Embedded low mount 360° motion sensor, wet location, High/Low operation (2-level) ^{4,7}	
HA	Up to 65°C ambient operation ⁹	MSE10NWL DSCNWL	Embedded low mount 360° motion sensor, wet location, On/Off operation from motion sensing, Override Off due to daylight ^{4,7}	
<u>Cord sets:</u>				
CS88	6' Brad Harrison 16/3 cord and straight blade plug set, wet location ⁴	MSE6XAWL	XPoint™ wireless high mount 360° motion sensor embedded, on/off, wet location ^{4,7,13}	
CS88L12	12' Brad Harrison 16/3 cord and straight blade plug set, wet location ⁴	MSE6XAWL924	XPoint™ wireless high mount 360° motion sensor with emergency relay embedded, on/off, wet location	
CS89	6' white cord, 16/3, no plug, wet location ¹⁰	MSE10XAWL	XPoint™ wireless low mount 360° motion sensor embedded, on/off, wet location ^{4,7,13}	
CS89L12	12' white cord, 16/3, no plug, wet location ¹⁰	MSE10XAWL924	XPoint™ wireless low mount 360° motion sensor with emergency relay embedded, on/off, wet location	
CS6G16STOW5D	6' white cord, 16/5, no plug, wet location, includes low voltage dimming wires	XAD	XPoint™ wireless 0-10V module (requires DL option) ^{4,13}	
		XAD924	XPoint™ wireless 0-10V with emergency relay (requires DL option) ^{4,13}	
HC3PC3RWT	Wet location, hook, 3' cord, plug and receptacle ^{4,11}	NPP16D	nLight® switching/dimming module	
		NPP16DER	nLight® switching/dimming module with emergency relay ⁵	

Options (Fixtures utilizing the below options will bear a damp location label.)			
DL	Damp location ¹⁵	LCPP	Loop, cord, non-NEMA 14A twist-lock plug ^{4,18}
HCC	Hook, cord, no plug ^{16,17}	HCCS	Hook, 5' RELOC® OCS ^{4,17}
HCCP	Hook, cord, 15A NEMA twist-lock plug ^{4,16,17}	LOCS	Loop, 5' RELOC® OCS ^{4,17}
LCXP	Loop, cord, 15A NEMA twist-lock plug ^{4,16,17}	OCS	5' RELOC® OCS ⁴

Accessories: Order as separate catalog number.			
<u>Wet location</u>		<u>Damp location</u>	
WGJHBL	Wire guard	HKM	Aluminum fixture hook male ¹⁷
HKMG	Grommeted aluminum fixture hook male ¹⁷	LPM	Aluminum fixture loop male ¹⁷
LPMG	Grommeted aluminum fixture loop male ¹⁷	HKMI	Iron fixture hook male
JHBLSC120	10' safety cable	LPMI	Iron fixture loop male
JHBLSC84	7' safety cable		
		TPH	Through-wire power hook ^{17,19}
		PPH	Pendant power hook ^{17,19}
		JHBLTMB34 DWH	34" tandem mounting bar (standard white) ^{14,20}

See foot notes for above on next page.

JHBL LED IP Rated High Bay

Notes

- 1 Tandem available in 30000LM, 35000LM, 40000LM, 45000LM (to order double the lumens - ex: 30000LM order as 60000LM)
- 2 Not available with 250VDC.
- 3 Not available with 40,000LM, 45,000LM, or control options.
- 4 Must specify voltage.
- 5 Available with 120, 277 or 347V.
- 6 Available with 208, 240 or 480V.
- 7 Not available with HA option.
- 8 Factory installed only. Must specify voltage. Not available with 347V, 480V, MVOLT, HVOLT, HA or XPoint option. For use in ambient temperatures up to 35°C. Four conductor cords ship when a cord is ordered with the BSL722 options.
- 9 Not available with controls, battery packs, or XPoint. See operational data table for correct ambient temp based on fixture.

- 10 Fixtures ship with black 4-conductor cords when BSL722 options are ordered.
- 11 Total cord length 6' (3' on plug side and 3' on receptacle side). Other lengths available in odd increments. Ex: 5', 7', 9', etc.
- 12 Not available with HA option. For use in ambient temperatures up to 50°C. Not field installable; must be factory installed.
- 13 Available with 120, 277, 347, and 480. 480V utilizes a step transformer.
- 14 Lithonia standard and architectural colors also available. Consult sales representative.
- 15 Required for fixtures utilizing damp location options. Ex: HKM, LPM, etc.
- 16 X denotes length of cord. Cords are available in odd increments. Ex: 3', 5', 7', etc.
- 17 Not available with JHBLTMB34.
- 18 Requires TPH or PPH accessory.
- 19 Fixture must have LCP option.
- 20 Not recommended for wet locations. Requires (1) HKMI or (1) LPMI to mount tandem bar to structure.

OPERATIONAL DATA

Lumen package	Ambient rating (120V - 277V)	Ambient rating (347V / 480V)	Distribution	Delivered Lumens									LPW*	Input wattage
				3500K			4000K			5000K				
				70CRI	80CRI	90CRI	70CRI	80CRI	90CRI	70CRI	80CRI	90CRI		
12000LM	-40°F to 149°F (-40°C to 65°C)	-40°F to 149°F (-40°C to 65°C)	ND	11662	10671	7500	12195	10747	7829	12271	10671	8232	123	100
			WD	11724	10728	7540	12261	108050	7871	12337	10728	8276	123	
18000LM	-40°F to 149°F (-40°C to 65°C)	-40°F to 149°F (-40°C to 65°C)	ND	17874	16355	11495	18692	16472	12000	18808	16355	12617	123	153
			WD	17970	16443	11557	18792	16560	12064	18909	16443	12685	124	
24000LM	-40°F to 149°F (-40°C to 65°C)	-40°F to 149°F (-40°C to 65°C)	ND	22963	21012	14768	24014	21162	15417	24164	21012	16209	123	197
			WD	20386	21125	14848	24143	21276	15500	24293	21125	16296	123	
30000LM	-40°F to 140°F (-40°C to 60°C)	-40°F to 140°F (-40°C to 60°C)	ND	28958	26497	18624	30283	26687	19442	30472	26497	20441	122	251
			WD	29114	26640	18724	30446	26830	19546	30636	26640	20551	122	
35000LM	-40°F to 140°F (-40°C to 60°C)	-40°F to 140°F (-40°C to 60°C)	ND	32883	30089	21148	34387	30304	22077	34602	30089	23212	121	285
			WD	33060	30251	21262	34572	30467	22195	34788	30251	23336	122	
40000LM	-40°F to 140°F (-40°C to 60°C)	-40°F to 140°F (-40°C to 60°C)	ND	38657	35373	24862	40426	35625	25954	40679	35373	27288	118	344
			WD	38865	35563	24996	40643	35817	26093	40897	35563	27434	119	
45000LM	-40°F to 140°F (-40°C to 60°C)	-40°F to 140°F (-40°C to 60°C)	ND	44289	40526	28484	46315	40815	29734	46605	39448	30431	117	397
			WD	43342	39660	27875	45325	39943	29099	45609	39660	30595	115	

CHARACTERISTICS

Lumen package	Weight	Comparable light source
12000LM	43 lbs (19.5 kg)	4-lamp T8, 250W HID
18000LM	43 lbs (19.5 kg)	4-lamp T5HO, 6-lamp T8, 320W HID
24000LM	43 lbs (19.5 kg)	6-lamp T5HO, 8-lamp T8, 400W HID
30000LM	43 lbs (19.5 kg)	6-lamp T5HO, 8-lamp T8, 400W HID
35000LM	43 lbs (19.5 kg)	8-lamp T5HO, 750W HID
40000LM	43 lbs (19.5 kg)	10-lamp T5HO, 750W HID
45000LM	43 lbs (19.5 kg)	12-lamp T5HO, 1000W HID

PROJECTED LUMEN MAINTENANCE

Operating hours	0	10,000	20,000	25,000	35,000	50,000	60,000	100,000
Lumen maintenance factor	1	0.96	0.94	0.93	0.92	0.91	0.90	0.86

EMERGENCY LUMENS (5000K 70CRI)

	12000LM	18000LM	24000LM	30000LM	35000LM	40000LM	45000LM
Narrow distribution	3101	2820	2820	2820	2820	2820	2820
Wide Distribution	3117	2835	2835	2835	2835	2835	2835

PHOTOMETRICS

See www.lithonia.com.

SBGR – EMBEDDED Motion Sensor (see www.acuitycontrols.com for additional information)

- 360° coverage
- On/Off dim
- Photocell optional
- IP65 rated
- Photocell and 0-10VDC dimming options.
- Maximum ambient temperature 50°C



Lithonia nomenclature	Sensor Switch® nomenclature
For shortest lead times use one of the following SBGR configurations.	
MSE6NWL	SBGR 6 WH
MSE62L3VWL	SBGR 6 D WH 3V
MSE6NWL DSCNWL	SBGR 6 P WH
MSE10NWL	SBGR 10 WH
MSE102L3VWL	SBGR 10 D WH 3V
MSE10NWL DSCNWL	SBGR 10 P WH

MOTION SENSOR

ORDERING INFORMATION

Lead times will vary depending on options selected. Consult with your sales representative.

Example: MSE6NWL

Series	Lens option	Dimming	Environmental factors	Time delay
MSE Passive infrared embedded occupancy sensor	6 High mount, 360° 10 Low mount, 360°	N On/off 2LXX Bi level range ¹ XA XPoint™ wireless signal to external system	WL Wet location	(blank) 10 minutes 5M 5 minutes 15M 15 minutes

Notes

1 XX denotes "Low" level on 0-10V output.

PHOTOCELL

ORDERING INFORMATION

Lead times will vary depending on options selected. Consult with your sales representative.

Example: DSCNWL

Series	Dimming	Environmental factors
DSC Closed loop (see external and fixture light)	N On/off CXX Continuous dimming and override off ¹ XA XPoint™ wireless signal to external system	WL Wet location

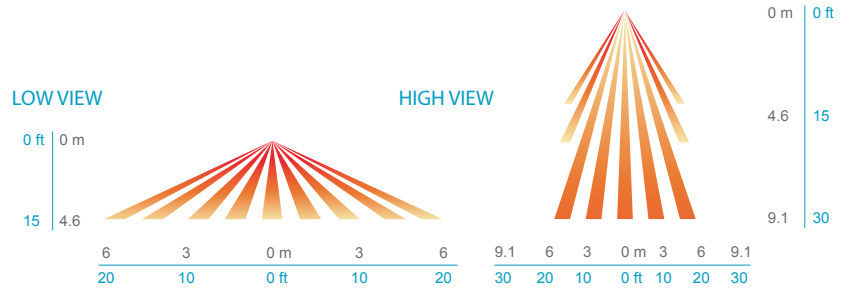
Notes

1 Available with low mount only.

COVERAGE PATTERNS

SITE & AREA LIGHTING / HIGH MOUNT APPLICATIONS

The **SBGR 6 ODP** is intended for higher applications, between 15-30 ft, and provides a coverage area radius for walking motion of 15-20 ft.



Coverage Pattern of High Mount Lens Option (SBGR 6 ODP)