



KT-EMRG-LED-10BC-1000-EN3

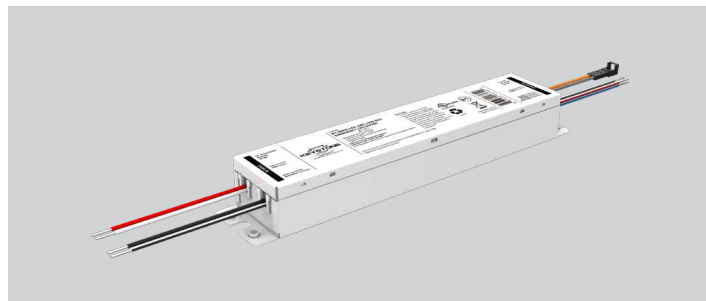
CONSTANT WATTAGE LED EMERGENCY BACK-UP

DESCRIPTION

LED Emergency Back-Up Driver |
Standard Side Exit Wire Leads | 10W Output



DRIVER TYPE: Constant Wattage LED Emergency
MAX. OUTPUT POWER: 10W
INPUT VOLTAGE: 120 - 277Vac, 50/60Hz
OUTPUT VOLTAGE: 15 - 55Vdc
OUTPUT CURRENT: 180 - 680 mA
SAFETY STANDARD: UL 924, CEC T20 Compliant
WARRANTY: 5 Years



ELECTRICAL SPECIFICATIONS

Input Voltage Range	100 - 277Vac
Frequency	50/60Hz
Power Factor	>0.5 @ 120 - 277 Vac
Inrush Current	< 5A
Max input Current	80mA @ 120Vac
Output Voltage Range	15 - 55 Vdc Class 2 compliant
Output Current Range	180 - 680 mA
Output Power	10W
Protection	<ul style="list-style-type: none"> • Over Voltage Protection: Hiccup mode. Protection will trigger when load voltage exceeds specified output voltage and will auto recover after the fault mode is removed. • Over Current Protection: Hiccup mode. Protection will trigger when load current exceeds specified output current and will auto recover after the fault mode is removed. • Short Circuit Protection: Hiccup mode. Protection will trigger when short circuit and will auto recover after the fault mode is removed. • Over Temperature Protection: Protection will trigger when driver overheats and auto-recovery when cooled down.
Emergency Operation	90 minutes
Battery	High-temperature, maintenance-free, LiFePO ₄ battery, 6.4Vdc, 4.5Ah
Recharge Time	24 hours
Battery Charging Current	300mA
Test Switch Length	25 inches with Quick Connector
Auto Battery Connect	<ul style="list-style-type: none"> • Battery Connect: The battery will ship in Sleep Mode. The battery will engage automatically when mains power (120-277Vac) is applied. There are no physical battery connectors. • Battery Disconnect/Sleep: To return the battery to Sleep Mode, when disconnected from mains power, press and hold the test switch for 5 seconds. Battery will disengage until mains power is applied. Sleep Mode should be used for transportation and storage.

ENVIRONMENTAL SPECIFICATIONS

Operating Temperature	0°C/32°F to 60°C/140°F
Storage Temperature	0°C/32°F to 60°C/140°F
Life Rating	50,000 Hours
Maximum Case Temperature	85°C/185°F for battery

SAFETY AND EMC COMPLIANCE

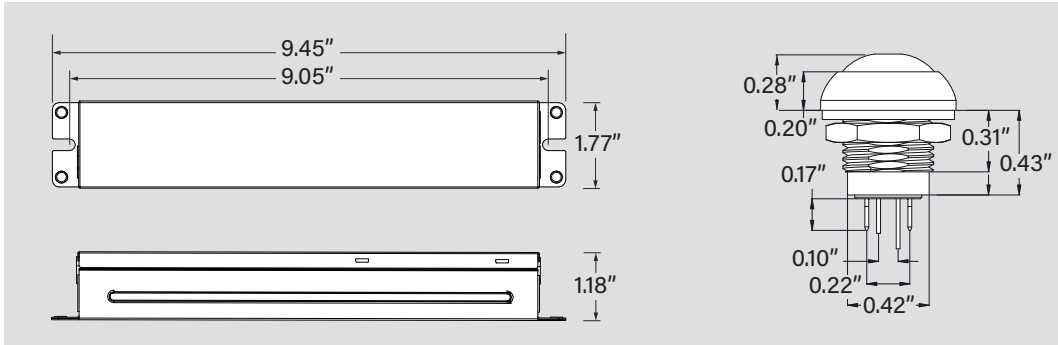
UL/cUL	UL 924
FCC, 47CFR Part 15	ANSI C63.4:2009 Class B Compliant



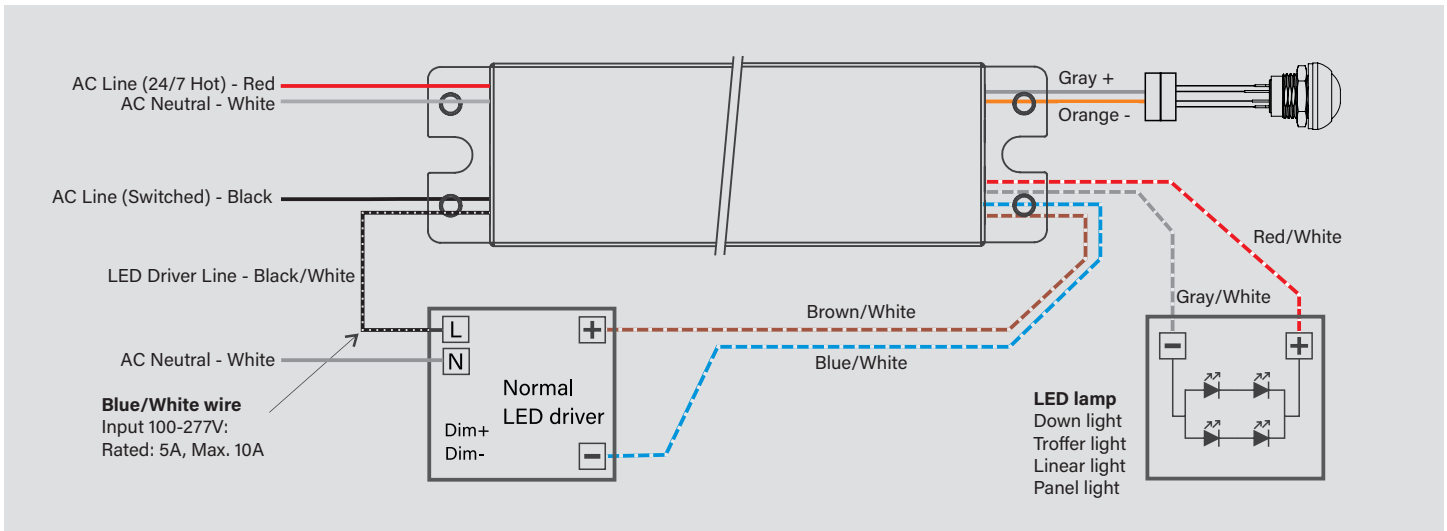
KT-EMRG-LED-10C-1000-EN3

CONSTANT WATTAGE LED EMERGENCY BACK-UP

PHYSICAL SPECIFICATIONS



WIRING SPECIFICATIONS



ORDERING INFORMATION

ORDER CODE	DESCRIPTION	PACKAGING STYLE	PACK QUANTITY	ITEM STATUS
KT-EMRG-LED-10C-1000-EN3	1-Piece LED Emergency Back-up with Standard Side Exit Leads	Individually Packaged	1	Active

CATALOG NUMBER BREAKDOWN

KT-EMRG-LED-10BC-1000-EN3

1 2 3 4 5 6 7 8

- 1 Keystone Technologies
- 2 Emergency Back-up Driver
- 3 LED Driver
- 4 Wattage Family
- 5 Battery Auto Connect
- 6 CEC Compliant
- 7 Nominal Lumen Output
- 8 1-Piece Enclosure