



KT-EMRG-LED-14BC-1400-EN

CONSTANT WATTAGE LED EMERGENCY BACK-UP

DESCRIPTION

LED Emergency Back-Up Driver | Standard Side Exit
Wire Leads | 14W Output



DRIVER TYPE: Constant Wattage LED Emergency

MAX. OUTPUT POWER: 14W

INPUT VOLTAGE: 120-277Vac, 50/60Hz

OUTPUT VOLTAGE: 15~55Vdc

MAX. OUTPUT CURRENT: 930mA

SAFETY STANDARD: UL 924, Complies with CEC
Title 20 Efficiency Standards

WARRANTY: 5 Years



ELECTRICAL SPECIFICATIONS

Input Voltage Range	120-277Vac
Frequency	50/60Hz
Power Factor	> 0.5 under 120~277Vac input
Inrush Current	< 5A
Max input Current	80mA
Output Voltage Range	15-55 Vdc Class 2 compliant
Output Current Range	210-930 mA
Output Power	14W
Protection	<ul style="list-style-type: none"> • Over Voltage Protection: Hiccup mode. Protection will trigger when load voltage exceeds specified output voltage and will auto recover after the fault mode is removed. • Over Current Protection: Hiccup mode. Protection will trigger when load current exceeds specified output current and will auto recover after the fault mode is removed. • Short Circuit Protection: Hiccup mode. Protection will trigger when short circuit and will auto recover after the fault mode is removed. • Over Temperature Protection: Protection will trigger when driver overheats and auto-recovery when cooled down.
Emergency Operation	90 minutes
Battery	High-temperature, maintenance-free, LiFePO ₄ battery, 9.6Vdc, 3 cell
Recharge Time	24 hours
Battery Charging Current	200mA

ENVIRONMENTAL SPECIFICATIONS

Operating Temperature	0°C/32°F to 55°C/131°F
Storage Temperature	0°C/32°F to 55°C/131°F
Life Rating	50,000 Hours
Maximum Ambient Temperature	55°C/131°F for battery

SAFETY AND EMC COMPLIANCE

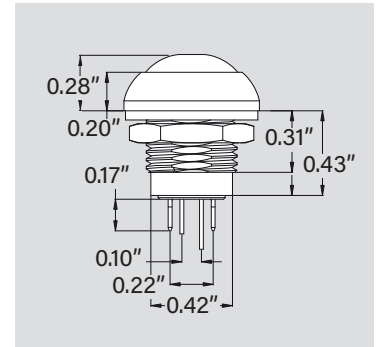
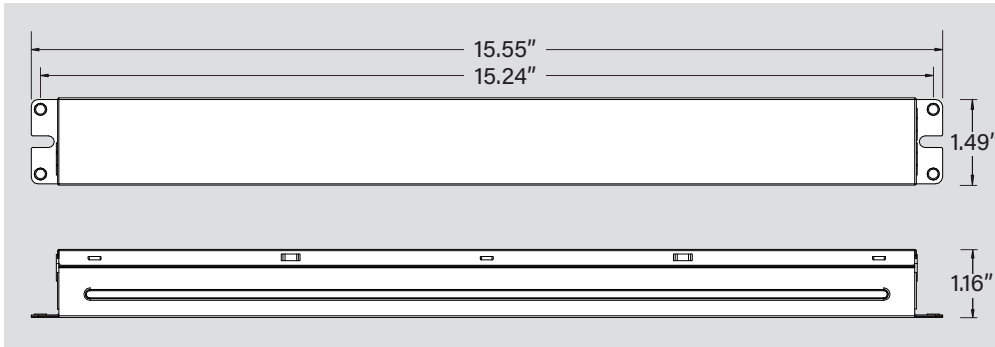
UL/cUL	UL 924
FCC, 47CFR Part 15	ANSI C63.4:2009 Class B Compliant



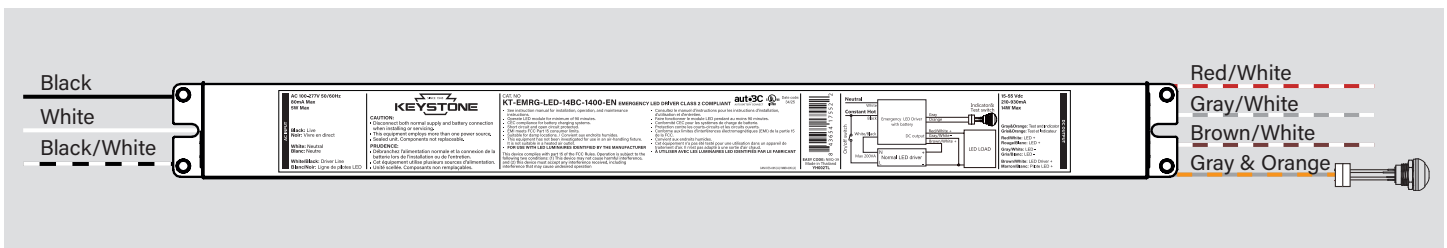
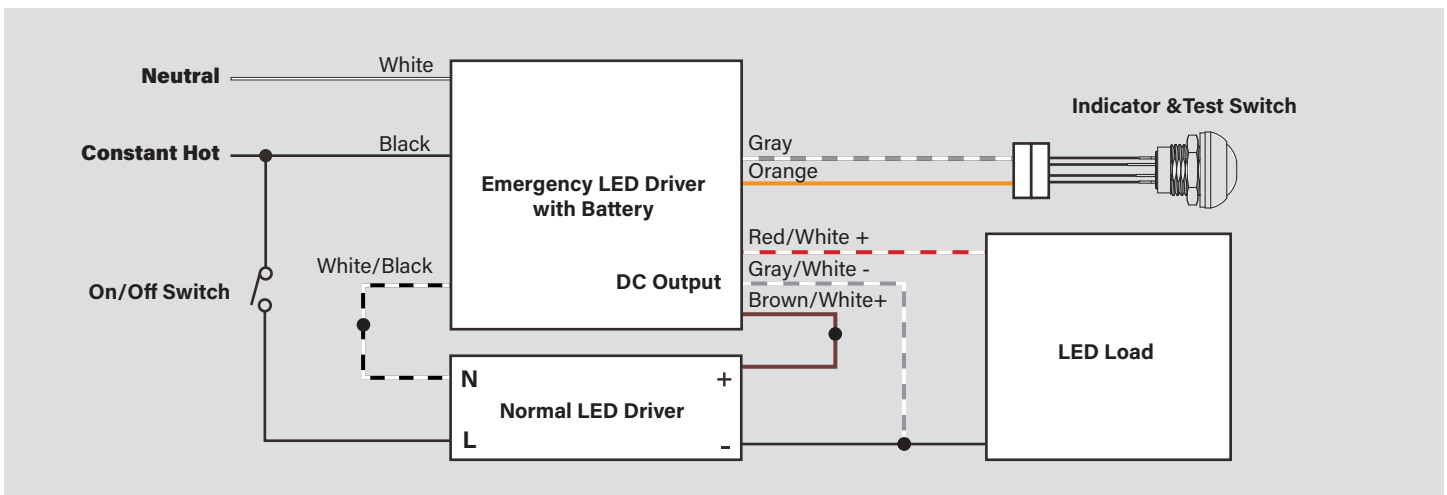
KT-EMRG-LED-14BC-1400-EN

CONSTANT WATTAGE LED EMERGENCY BACK-UP

PHYSICAL SPECIFICATIONS



WIRING SPECIFICATIONS



ORDERING INFORMATION

ORDER CODE	DESCRIPTION	PACK QUANTITY	EASY CODE	UPC
KT-EMRG-LED-14BC-1400-EN	1-Piece LED Emergency Back-up with Standard Side Exit Leads	1	NBQ-39	843654175522

CATALOG NUMBER BREAKDOWN

KT-EMRG-LED-14BC-1400-EN

- 1**
- 2**
- 3**
- 4**
- 5**
- 6**
- 7**
- 8**

- 1** Keystone Technologies
- 2** Emergency Back-up Driver
- 3** LED Driver
- 4** Wattage Family
- 5** Battery Auto Connect
- 6** CEC Compliant
- 7** Nominal Lumen Output
- 8** 1-Piece Enclosure