



KT-HBLED105-2F-8XX-VDIM-P

LED HIGH BAY FIXTURE

DESCRIPTION

Complete compact LED high bay fixture

APPLICATION

Used for commercial and industrial high bay lighting applications



PRODUCT FEATURES

- Architectural grade compact design
- Powered by Keystone 0-10V dimming LED drivers
- Frosted lens eliminates glare
- V-hook and chain mounting accessories included
- Compatible with Keystone SmartSafe emergency LED drivers; KT-EMRG-LED-5-500 -EN /DF or KT-EMRG-LED-12-1200-EN /DF are optimal for fixture level installation; mounting kit KT-HBLED-EM-BR-KIT required (sold separately)
- 0-10V dimming, 10% minimum
- Ambient operating temperature: -20°C/-4°F to 50°C/122°F
- UL Listed 1598: Suitable for dry and damp locations
- THD: <20%
- Power factor > 0.95
- LED chip lifetime, L70 >100,000 hours @ 25°C/77°F ambient fixture temperature

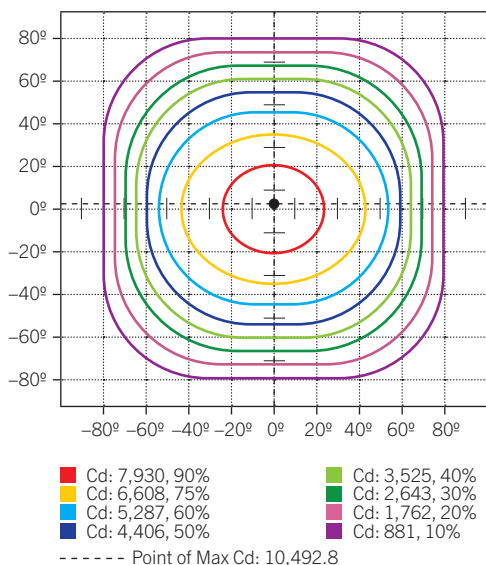
Note: This LED light fixture is not suitable for use in applications where there is presence of caustic or corrosive chemicals in the environment / facility (Including, but not limited to, various sulfuric and hydrochloric acids, sodium hydroxide, chlorine, degreasing solvents like acetone and methyl ethyl ketone, ammonia, and hydrogen peroxide) See disclaimer on warranty statement for more details. Please consult with Keystone for additional information if this may be a concern.

PERFORMANCE SPECIFICATIONS

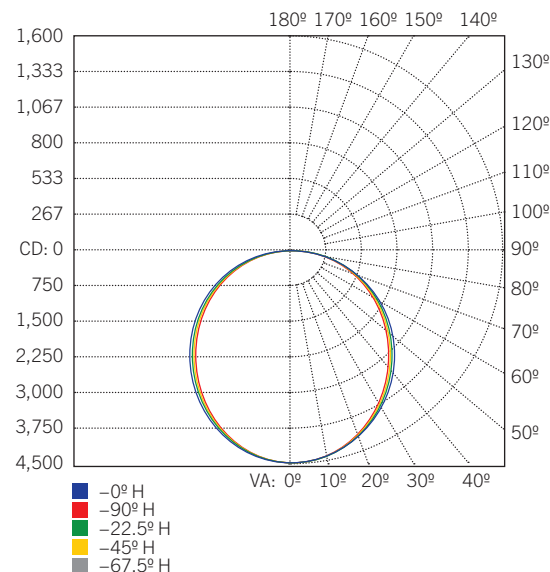
Catalog Number	Color Temperature	Nominal Length	CRI	Input Voltage	Wattage	Lumen Output	Efficacy
KT-HBLED105-2F-840-VDIM-P	4000K	2'	>82	120-277V	105W	13,550	130 lm/W
KT-HBLED105-2F-850-VDIM-P	5000K	2'	>82	120-277V	105W	13,650	130 lm/W

PHOTOMETRIC SPECIFICATIONS

ISOCANDELA PLOT



POLAR CANDELA DISTRIBUTION



ZONAL LUMEN SUMMARY

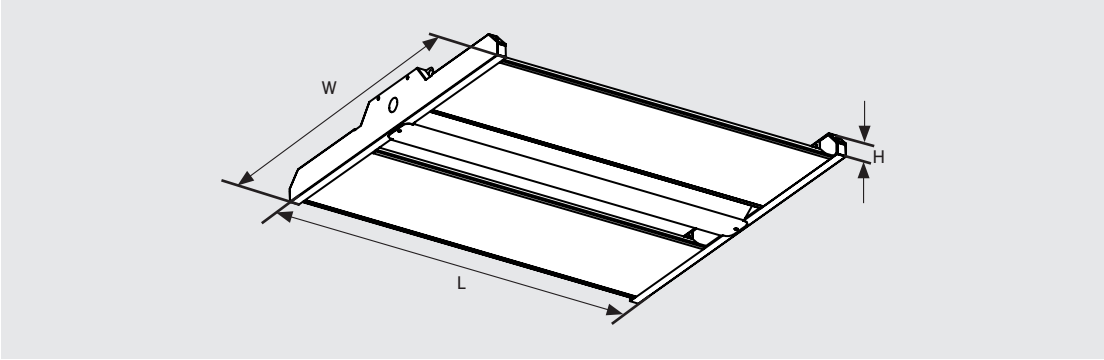
Zone	Lumens	% Luminaire
0-30	4,039.7	30%
0-40	6,562.3	48.7%
0-60	11,160.0	82.8%
60-90	2,321.1	17.2%
70-100	880.2	6.5%
90-120	0	0%
0-90	13,481.1	100%
90-180	0	0%
0-180	13,481.1	100%



KT-HBLED105-2F-8XX-VDIM-P

LED HIGH BAY FIXTURE

PHYSICAL SPECIFICATIONS



Length	24.40"
Width	15.00"
Height	2.40"
Weight	5 lbs

WIRELESS CONTROL OPTIONS

BRAND / SYSTEM	DESCRIPTION	ORDERING NUMBER
Keystone Smart Loop	KTSL-HBFC1-UV-KO-PIR Wireless 0–10V fixture controller; 3A Max load; factory installed	KT-HBLED105-2F-8XX-VDIM-P /HBFC1-PIR
Lutron Vive	FCJS-010 Wireless 0–10V fixture controller; 1A Max load; factory installed	KT-HBLED105-2F-8XX-VDIM-P /FCJS0



ORDERING INFORMATION

Order Code	Packaging Style	Pack Quantity	Item Status
KT-HBLED105-2F-8XX-VDIM-P	Carton Pack	1	Active

ACCESSORIES (SOLD SEPARATELY)

Accessory	Catalog Number	Description
High Bay Motion Sensor	HBE-PIR-120/277/347	Dual technology occupancy sensor for LED high bay fixtures
Wire Guard	KT-HBLED-WG-1-KIT	Wire guard for LED high bay fixtures; fits 90W, 105W, 135W, and 175W Keystone 2F high bay fixtures
Pendant Mount Kit	KT-HBLED-PM-1-KIT	Pendant mount kit for LED high bay fixtures; fits all Keystone 2F high bay fixtures
Surface Mount Kit	KT-HBLED-SM-1-KIT	Surface mount kit for LED high bay fixtures; fits all Keystone 2F high bay fixtures
SmartSafe Emergency Battery Backup	KT-EMRG-LED-5-500-EN /DF	5W, 500 lumen SmartSafe emergency battery back-up with dual flex cables
	KT-EMRG-LED-12-1200-EN /DF	12W, 1200 lumen SmartSafe emergency battery back-up with dual flex cables for remote mounting only
Emergency LED Backup Mounting Kit	KT-HBLED-EM-BR-KIT	Designed for use with KT-EMRG-LED-5-500-EN /DF and KT-EMRG-LED-12-1200-EN /DF

CATALOG NUMBER BREAKDOWN

KT-HBLED105-2F-8XX-VDIM-P

1 2 3 4 5 6 7 8 9

- 1 Keystone Technologies
- 2 LED High Bay Fixture
- 3 Wattage
- 4 2' Nominal Length, Frosted Lens
- 5 80 CRI

- 6 Color Temperature
- 7 0-10V Dimming
- 8 Premium Series
- 9 Sensor Options

9 Sensor Options

	No option
/PIR	Occupancy sensor included