



T5 INTEGRATED FIXTURE



DESCRIPTION

LED Surface-Mount Luminaires; Linkable

APPLICATION

Used in indoor display, task, and accent lighting environments.

PRODUCT FEATURES

- Includes (2) Mounting Clips with Hardware, (1) 9.5" Linkable Connector, and (1) 60" 2-Prong US Power Cord
- Linkable via End to End Direct Connection or via Linkable Cord
- Max of 120W for Linking Applications
- Installs in Minutes
- White Plastic Body with Frosted Lens
- 50,000 Hour Lifetime
- Each Fixture has an On/Off Rocker Switch
- Non-Dimming
- ETL Listed
- IP20 Construction

PERFORMANCE SPECIFICATIONS

Catalog Number	Nominal Length	Input Voltage	Power Consumption	Nominal Lumen Output	CRI	Power Factor
KT-IFLED7-2-8xx	2'	120V	7W	645	>80	>0.9
KT-IFLED12-3-8xx	3'	120V	12W	1100	>80	>0.9
KT-IFLED16-4-8xx	4'	120V	16W	1450	>80	>0.9

COLOR TEMPERATURES

8xx in the catalog numbers above denotes several color temperatures available:

830	800 Series, 3000K	835	800 Series, 3500K	840	800 Series, 4000K	850	800 Series, 5000K	865	800 Series, 6500K
------------	-------------------	------------	-------------------	------------	-------------------	------------	-------------------	------------	-------------------

Specifications subject to change. Last revised on 5.7.18

Keystone Technologies | North Wales, PA | 800-464-2680 | KeystoneTech.com



LIGHT MADE EASY

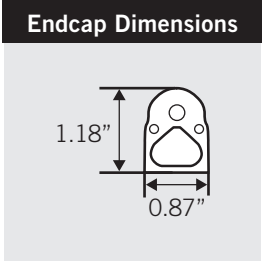
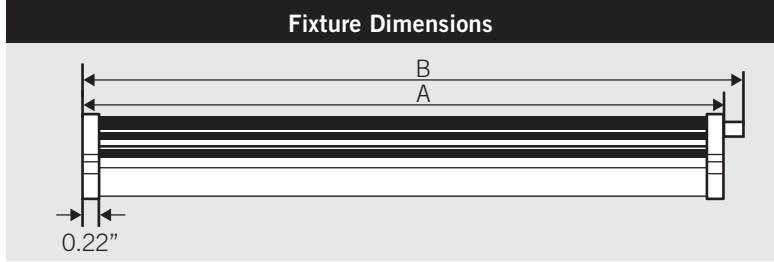
Engineering lighting power drivers for over 70 years.



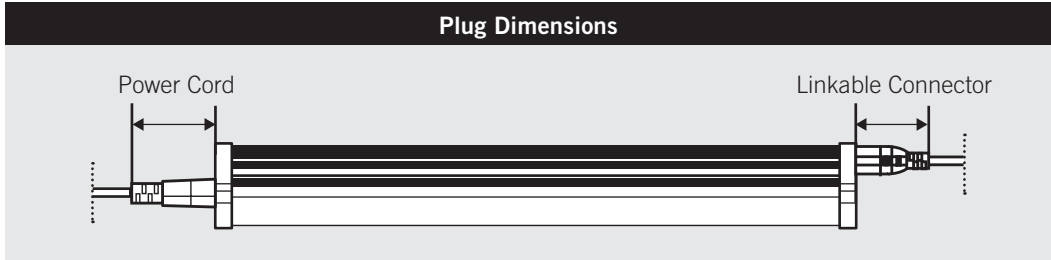
T5 INTEGRATED FIXTURE

PHYSICAL SPECIFICATIONS

Fixture Length Options		
Nominal Length	A Body Length	B Complete Length
2'	21.37"	21.87"
3'	34.37"	34.87"
4'	46.18"	46.68"

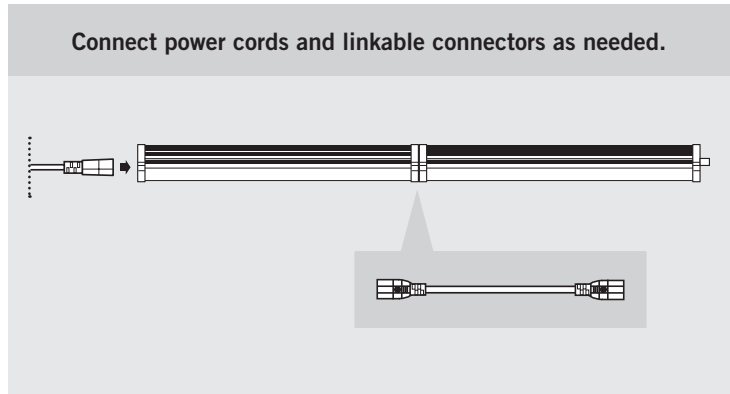
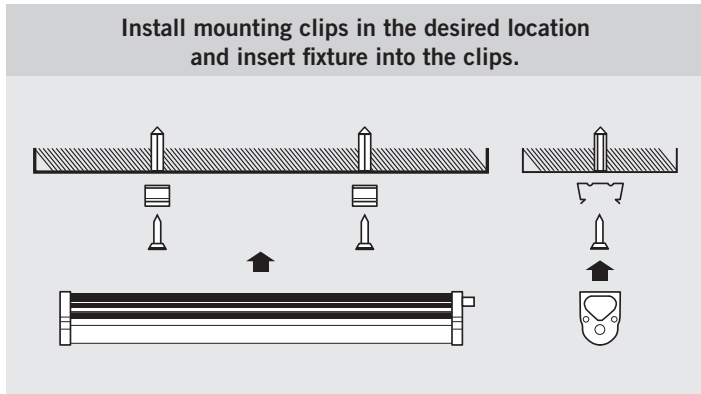


Linkable Connector	Rigid Length
Power Cord	1.62"
Linking Plug	2.31"



NOTE: To determine overall system length for single fixture applications, add the power cord rigid length to dimension "B". For multiple fixture applications, add the power cord rigid length to "A" + "B", where "A" is used for all fixtures except the final fixture, which uses "B" dimensions.

INSTALLATION DIAGRAMS



ORDERING INFORMATION

Order Code	Packaging Style	Package Quantity	Item Status
KT-IFLED7-2-8xx	Distributor Pack	30	Active
KT-IFLED12-3-8xx	Distributor Pack	30	Active
KT-IFLED16-4-8xx	Distributor Pack	30	Active

CATALOG NUMBER BREAKDOWN

KT-IFLED7-2-8xx-DP



Specifications subject to change. Last revised on 5.7.18

Keystone Technologies | North Wales, PA | 800-464-2680 | KeystoneTech.com



LIGHT MADE EASY

Engineering lighting power drivers for over 70 years.