



# KT-LED10.5T8-48G-8XX-DX2 / G2

## T8 LED LAMP

### DESCRIPTION

10.5W T8 LED | 2700 - 5000K | >83 CRI | High Efficiency | Single or Double-ended Wiring | UL Type B



<b>LAMP TYPE:</b> Linear
<b>BULB TYPE:</b> T8 LED
<b>BASE TYPE:</b> G13 (Medium Bi-Pin)
<b>WATTAGE:</b> 10.5W
<b>COLOR TEMPERATURE:</b> 2700 - 5000K
<b>COLOR RENDERING INDEX (CRI):</b> >83
<b>WARRANTY:</b> 10 Years



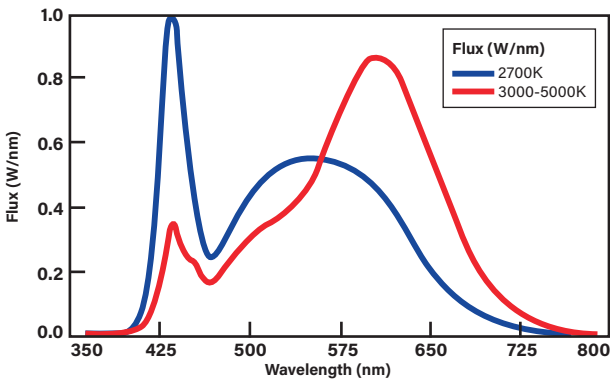
### PRODUCT FEATURES

- Replacement for Conventional Fluorescent Lamp
- Single or Double-Ended Wiring
- 50,000+ Hour Lifetime
- Approximately 40% More Energy Efficient than Standard F32T8 Lamps
- Environmentally Friendly: No Mercury Used
- Instant Startup
- Frosted Lens Eliminates Pixelation
- UL Classified
- Operating Temperature: -20°C/-4°F to 45°C/113°F
- Integral Driver (Isolated), Eliminates the Need for External Driver or Ballast
- 157+ Lumens per Watt
- Compatible with KT-EMRG-LED-5-500-AC Emergency pack
- NSF Listed Component: NSF/ANSI Standard 2 - Food Equipment, Splash Zone (Not for Direct Food Zone without additional fixture considerations)
- Lamp is dimmable when used with an appropriate dimming accessory (purchased separately). Contact Keystone for more details to find out what is best for the intended application

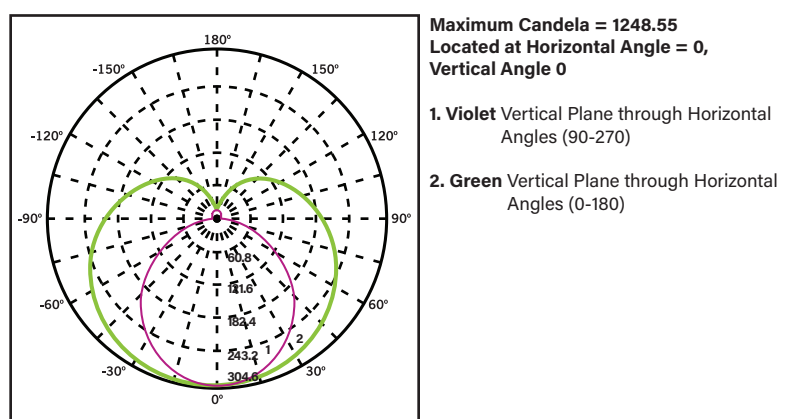
### ELECTRICAL SPECIFICATIONS

Input Voltage	Wattage	Lumen Output	Efficacy	CCT	CRI	Beam Angle	Visible Light Area	Power Factor	Input Current	Lifetime
120-277 Vac 60Hz	10.5W	1650	157 lm/W	2700K	>83	240°	325°	>0.9	0.09mA @120V 0.04mA @277V	50,000 hrs
		1650	157 lm/W	3000K						
		1650	157 lm/W	3500K						
		1700	162 lm/W	4000K						
		1720	164 lm/W	5000K						

### SPECTRAL DISTRIBUTION



### POLAR CANDELA DISTRIBUTION

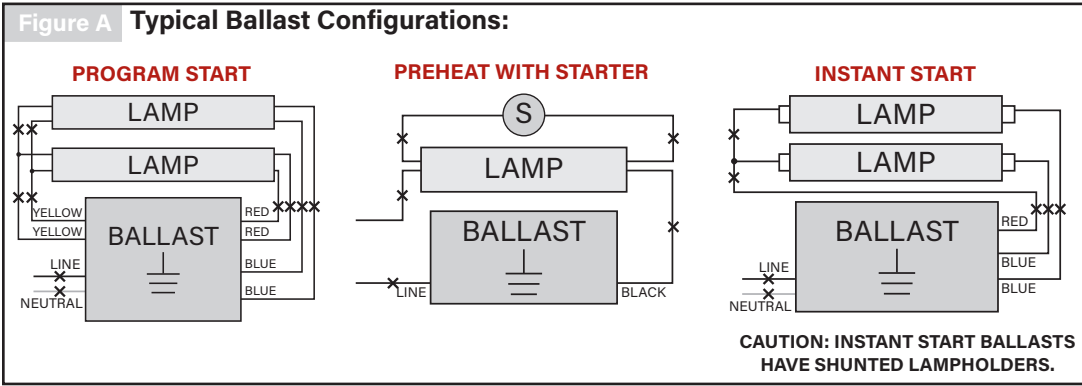


# KT-LED10.5T8-48G-8XX-DX2 / G2

## T8 LED LAMP

**SINGLE-ENDED WIRING DIAGRAM**

1. Cut all existing connections to ballast as shown below and remove ballast. See Figure A for typical ballast configurations. **Note: Single-ended wiring requires non-shunted lampholders.**



**Typical Non-Shunted Lampholder**

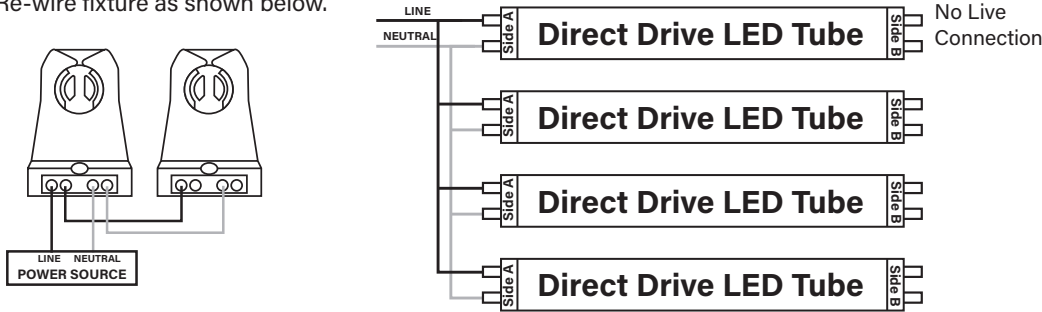
Connect wires directly to these terminals

**CAUTION:**  
**For Single-ended wiring use only non-shunted lampholders.**

For Single-ended wiring, do not install product in a fixture with shunted lampholders (found in all fixtures using instant start ballasts). If the current lampholders are shunted, remove them and replace them with non-shunted lampholders. Make new connections directly to terminals as indicated above.

Keystone can provide any style replacement lampholders. Call us at 800-464-2680.

2. Re-wire fixture as shown below.



**DOUBLE-ENDED WIRING DIAGRAM**

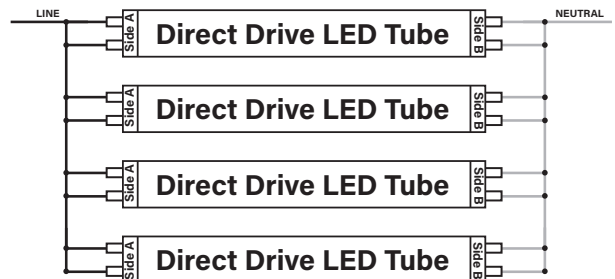
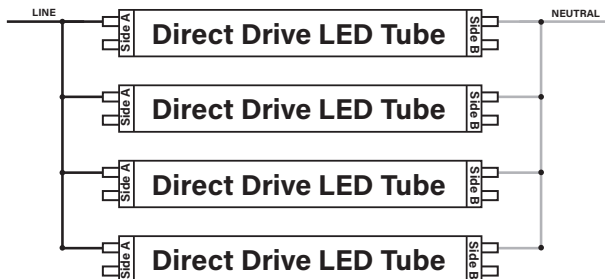
1. Cut all existing connections to ballast as shown below and remove ballast. See Figure A above for typical ballast configurations.

2. Re-wire fixture as shown below. For Double-ended wiring, use either shunted or nonshunted lampholders.

**Note: There should not be any exposed wires at the end of installation.**

Shunted Lampholders

Nonshunted Lampholders





**DIRECT DRIVE DX2**  
SINGLE- OR DOUBLE-ENDED LINE VOLTAGE LED TUBES

# KT-LED10.5T8-48G-8XX-DX2 /G2

## T8 LED LAMP

### PHYSICAL CHARACTERISTICS

#### LAMP DIMENSIONS

	<b>A (Illuminated Length)</b>	42.63"
	<b>B (Body Length)</b>	47.15"
	<b>C (Diameter)</b>	1.10"

**NOMINAL LENGTH: 48" BASE TYPE: G13 (Medium Bi-Pin)**

### ORDERING INFORMATION

ORDER CODE	PACK QTY.	UPC	EASY CODE	DLC PRODUCT ID
KT-LED10.5T8-48G-827-DX2 /G2	25	843654133607	HGU-37	N/A
KT-LED10.5T8-48G-830-DX2 /G2	25	843654132891	NBY-18	P8QG002Z
KT-LED10.5T8-48G-835-DX2 /G2	25	890949019290	GHI-44	P1BIUGUC
KT-LED10.5T8-48G-840-DX2 /G2	25	890949019306	DJL-35	PCRIB08Y
KT-LED10.5T8-48G-850-DX2 /G2	25	890949019313	RXT-56	PZM8WFJ2

### CATALOG NUMBER BREAKDOWN

# KT-LED10.5T8-48G-8XX-DX2 /G2

1 2 3 4 5 6 7 8 9 10

- 1 Keystone Technologies
- 2 LED Lamp
- 3 Wattage
- 4 Lamp Type
- 5 Nominal Length (inches)
- 6 Glass
- 7 80 CRI
- 8 CCT
- 9 Single or Double-Ended Wiring
- 10 Second Generation