



KTLD-2LT5HE-UV-10C-VDIM

CONSTANT CURRENT LED DRIVER FOR TYPE C T5HE LAMPS

DESCRIPTION

Constant Current Output | 120–277V Input | 0–10V Dimming



DRIVER TYPE: Constant Current
OUTPUT CURRENT: 0.26A × 2 Channels
INPUT POWER: 23W
MAX. CURRENT 0.22A@120V, 0.12A@277V
MAX. OUTPUT POWER: 20W
WARRANTY: 5 Years

PRODUCT FEATURES

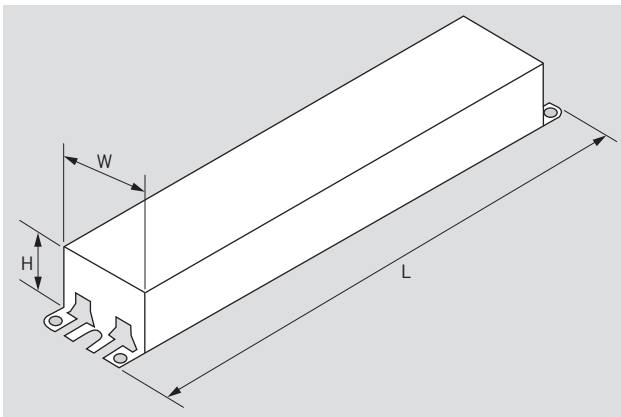
- Compatible with Keystone external drive T5HE LED lamps
- Meets FCC Part 15 (Class B) consumer limits
- Short circuit overload and open load protection
- Type 1 outdoor, suitable for dry and damp locations
- UL8750 Recognized component
- Dimmable with 0–10V Dimmer, dim minimum 10%
- Operating temperature: –20°C/–4°F to 45°C/113°F
- 85°C/185°F maximum case temperature
- Input frequency: 50/60 Hz
- THD: < 20%

ELECTRICAL SPECIFICATIONS

INPUT CHARACTERISTICS				OUTPUT CHARACTERISTICS			FEATURES
Input Voltage	Input Power	Power Factor	Max. Current	Max. Output Power	Max. Current	Output Voltage	Efficiency
120–277Vac	23W	>0.9	0.22A@120V 0.12A@277V	20W	0.26A × 2 Channels	36–45Vdc	87%

MECHANICAL SPECIFICATIONS

CASE DIMENSIONS



LENGTH (L)	9.53"
WIDTH (W)	1.32"
HEIGHT (H)	1.10"

*TC Point (85°C) is noted on each driver label

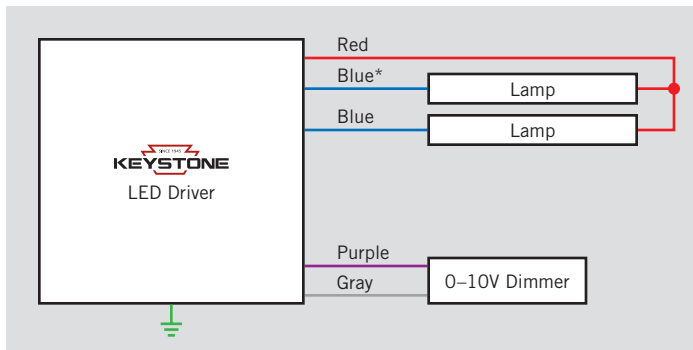


KTLD-2LT5HE-UV-10C-VDIM

CONSTANT CURRENT LED DRIVER FOR TYPE C T5HE LAMPS

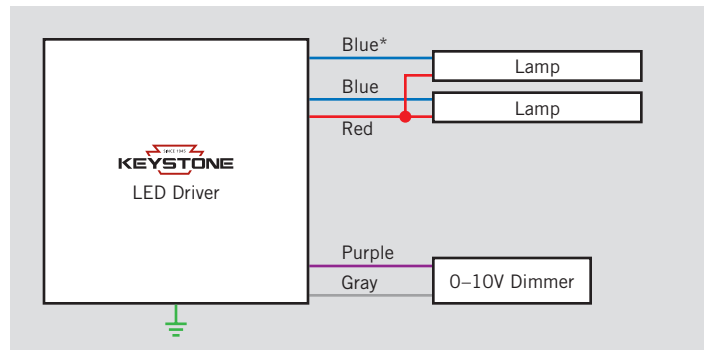
WIRING

DOUBLE-ENDED WIRING



* For 1 lamp application, cap off 1 blue lead

SINGLE-ENDED WIRING



* For 1 lamp application, cap off 1 blue lead

STANDARD LEAD LENGTHS*

Input	Black	30.00"
	White	30.00"
Output	Red	30.00"
	Blue	30.00"
Dimming	Purple	30.00"
	Gray	30.00"

Lead wires are 18 AWG 105° C/600V.

*Consult Keystone for special lead length requirements.

ORDERING INFORMATION

Order Code	Pack Quantity	Easy Code	UPC
KTLD-2LT5HE-UV-10C-VDIM	25	XMA-42	843654133119

CATALOG NUMBER BREAKDOWN

KTLD-2LT5HE-UV-10C-VDIM

1
2
3
4
5
6
7

- 1** Keystone Technologies LED Driver
- 2** Number of Lamps
- 3** Lamp Type
- 4** High Efficiency
- 5** 120–277V Input
- 6** Lamp Wattage
- 7** 0–10V Dimming
- 8** Packaging Style