



EXTERNAL DRIVE LED

TYPE C LED TUBES

KT-LED10T5HE-36G-8XX-E

T5 LED LAMP

DESCRIPTION

10W T5 LED Tube | Type C | 3500–5000K | >82 CRI | 0–10V Dimming



RoHS Compliant

5 YEAR WARRANTY

LAMP TYPE: Linear
BULB TYPE: T5 LED
BASE TYPE: G5
DIMMING TYPE: 0–10V
WATTAGE: 10W
LAMP INPUT VOLTAGE: 36–45Vdc
COLOR TEMPERATURE: 3500–5000K
COLOR RENDERING INDEX (CRI): >82



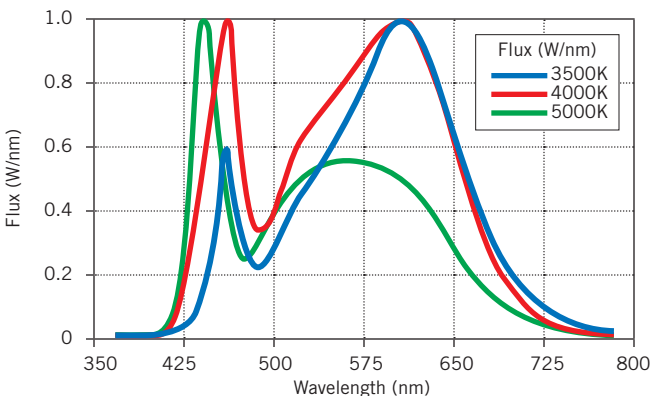
PRODUCT FEATURES

- UL Type C LED tubes, powered by Keystone Type C LED drivers
- UL Classified Std. 1598C
- Glass construction with metal end caps
- Operating temperature: –20°C/–4°F to 45°C/113°F
- THD <15% at full driver load
- PF >0.90 at full driver load
- 0–10V dimmable
- 50,000+ hours lifetime
- Keystone tube and driver pairing wires either single-ended or double-ended. See wiring diagrams for details and common ballast retrofit scenarios
- Low optical flicker

LAMP SPECIFICATIONS

Catalog Number	Color Temp.	Driver: KTL D-2LT5HE-UV-10C-VDIM						Driver: KTL D-4LT5HE-UV-10C-VDIM						
		1 Lamp			2 Lamps			3 Lamps			4 Lamps			
		Nominal Input Power	Nominal Lumens	Nominal Efficacy	Nominal Input Power	Nominal Lumens	Nominal Efficacy	Nominal Input Power	Nominal Lumens	Nominal Efficacy	Nominal Input Power	Nominal Lumens	Nominal Efficacy	Power Factor
KT-LED10T5HE-36G-835-E	3500K	11.5W	1450 lm	126 lm/W	23W	2900 lm	126 lm/W	34.5W	4350 lm	126 lm/W	46W	5800 lm	126 lm/W	>0.9
KT-LED10T5HE-36G-840-E	4000K	11.5W	1500 lm	130 lm/W	23W	3000 lm	130 lm/W	34.5W	4500 lm	130 lm/W	46W	6000 lm	130 lm/W	>0.9
KT-LED10T5HE-36G-850-E	5000K	11.5W	1500 lm	130 lm/W	23W	3000 lm	130 lm/W	34.5W	4500 lm	130 lm/W	46W	6000 lm	130 lm/W	>0.9

SPECTRAL DISTRIBUTION



RATED LIFE

L70 (Hours)	50,000
-------------	--------

BEAM ANGLE: 160°

VISIBLE LIGHT AREA: 325°



EXTERNAL DRIVE LED

TYPE C LED TUBES

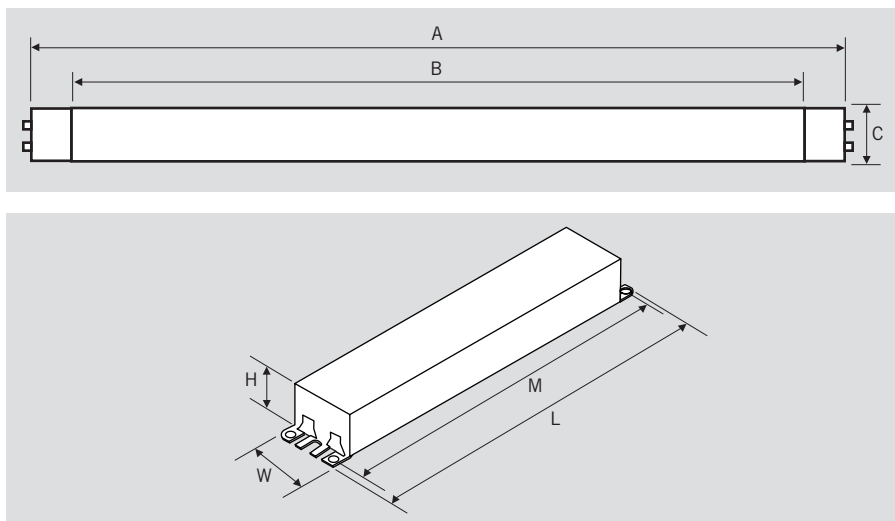
KT-LED10T5HE-36G-8XX-E

T5 LED LAMP

DRIVER SPECIFICATIONS

Catalog Number	Description	Dimensions
KTLD-2LT5HE-UV-10C-VDIM	Driver for (2) 2' T5HO Type C lamps; 120-277V input, 0-10V dimming	1.10" x 1.32" x 9.53"
KTLD-4LT5HE-UV-10C-VDIM	Driver for (4) 2' T5HO Type C lamps; 120-277V input, 0-10V dimming	1.24" x 1.61" x 9.69"

PHYSICAL CHARACTERISTICS



LAMP DIMENSIONS

A (Body Length)	33.49"
B (Illuminated Length)	33.43"
C (Diameter)	0.67"

NOMINAL LENGTH: 36"

BASE TYPE: G5

DRIVER DIMENSIONS

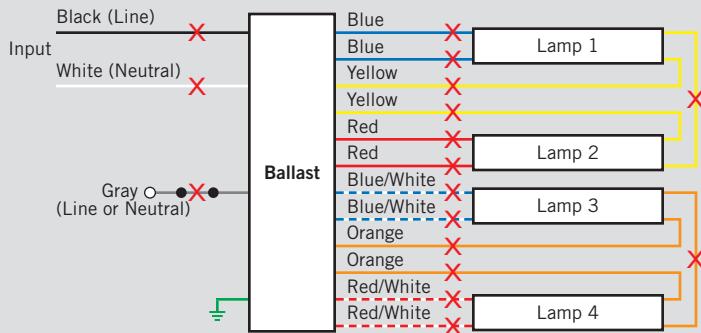
KTLD-2LT5HE-UV-10C-VDIM	KTLD-4LT5HE-UV-10C-VDIM		
L (Length)	9.53"	L (Length)	9.69"
W (Width)	1.32"	W (Width)	1.61"
H (Height)	1.10"	H (Height)	1.24"
M (Mounting)	8.94"	M (Mounting)	9.09"

WIRING INSTRUCTIONS

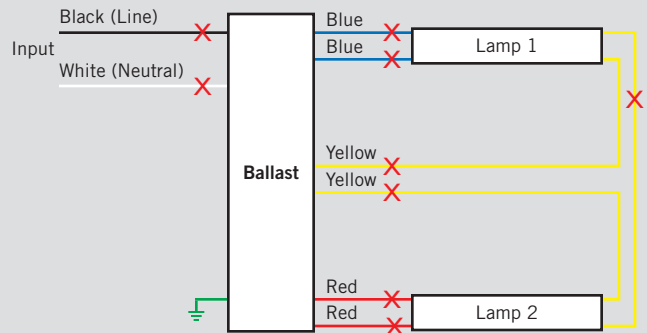
1. Shut off power.
2. Remove existing fluorescent tube(s) and diffuser (if applicable).
3. Open ballast compartment cover, cut all wires (as shown below), and remove existing ballast. Disconnect starter (if applicable).

TYPICAL BALLAST CONFIGURATIONS

4-Lamp Wiring



2-Lamp Wiring



(continued on page 3)

KT-LED10T5HE-36G-8XX-E

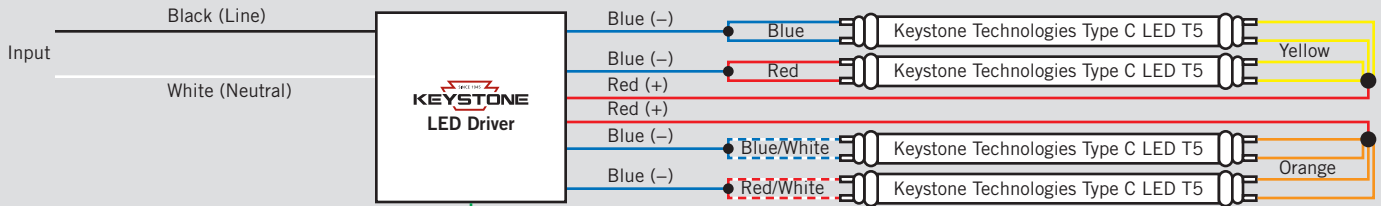
T5 LED LAMP

WIRING INSTRUCTIONS *(continued)*

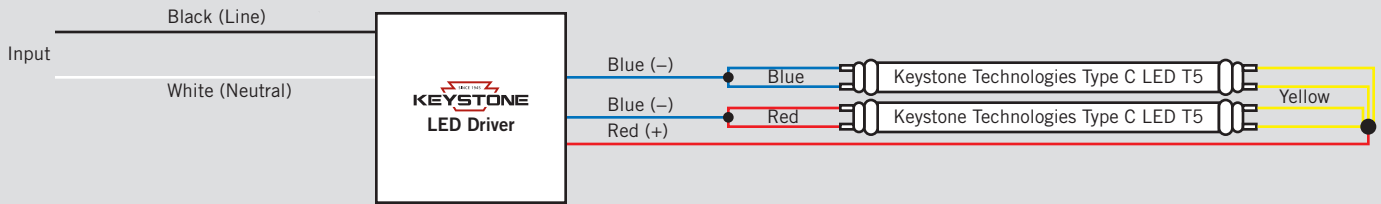
4. Check the mounting holes of ballast to see whether they are suitable to install LED driver. If not, drill new holes for mounting. Install LED driver to luminaire using screws.
5. Wire according to diagrams (as shown below). **Note: Do not leave any loose wires exposed.**

RETROFIT WIRING

4-Lamp Wiring Configuration



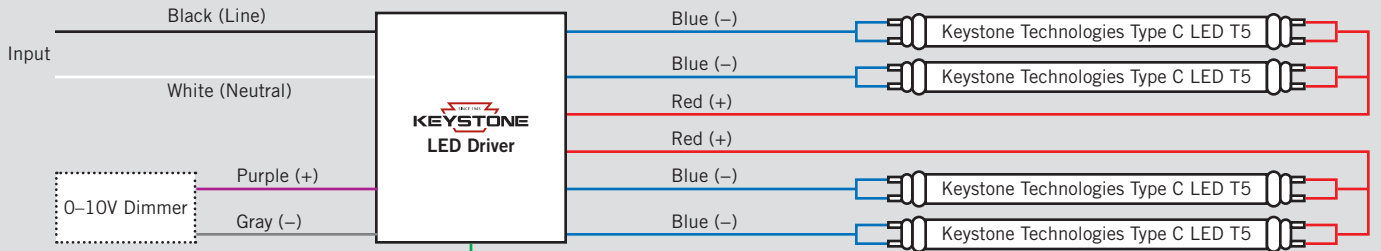
2-Lamp Wiring Configuration



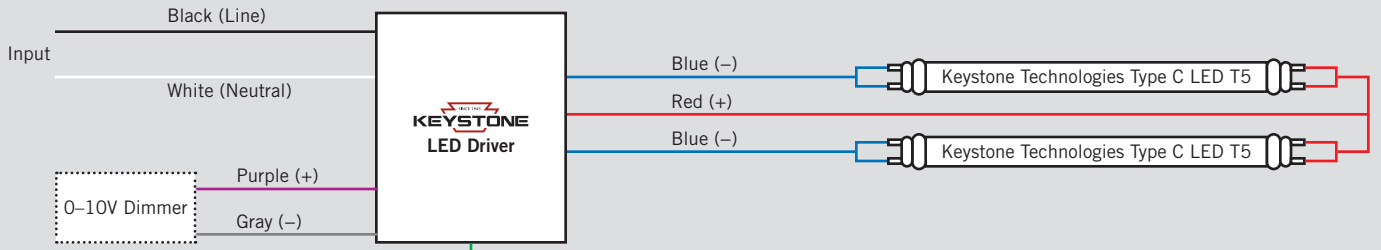
Note: Other manufacturers may use different colored wires.

NEW INSTALLATION: DOUBLE-ENDED WIRING

4-Lamp Wiring Configuration



2-Lamp Wiring Configuration



(continued on page 4)



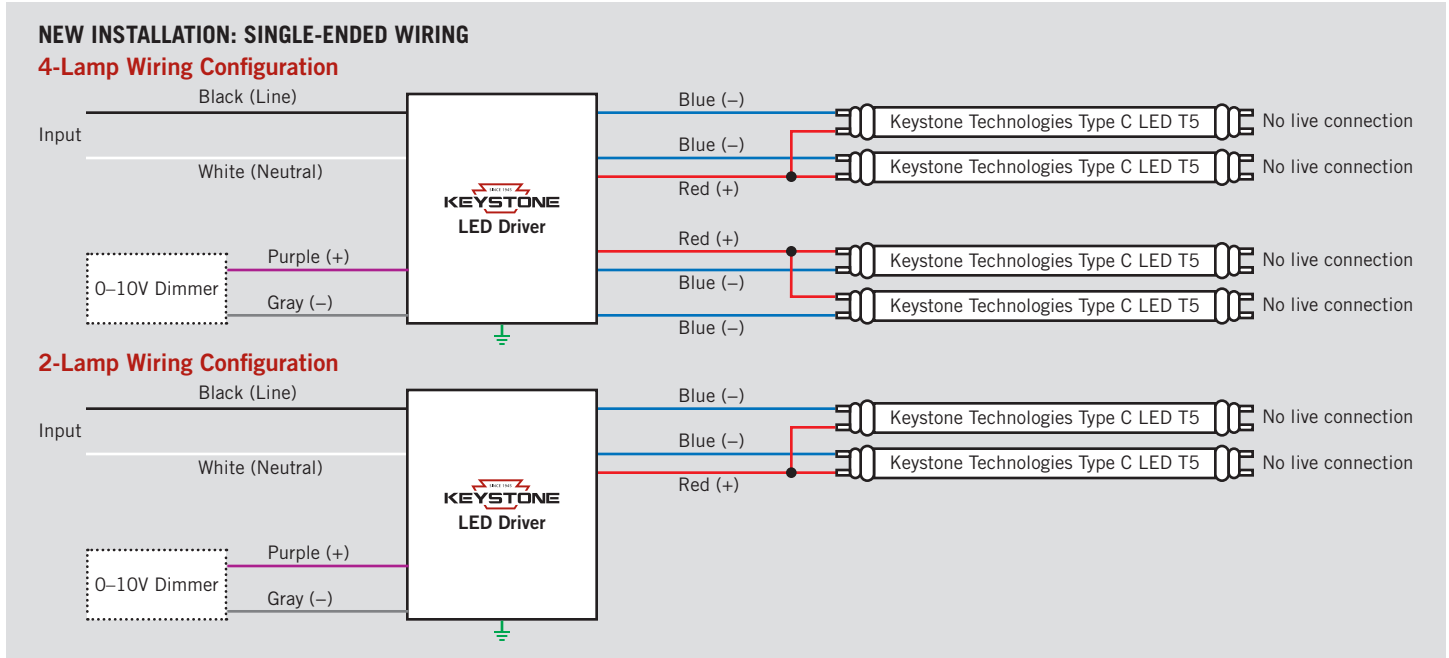
EXTERNAL DRIVE LED

TYPE C LED TUBES

KT-LED10T5HE-36G-8XX-E

T5 LED LAMP

WIRING INSTRUCTIONS *(continued)*



6. Close compartment cover and make sure live parts are not accessible. Affix field-applied label in a visible section inside the luminaire.
7. Install the LED tubes and cover the diffuser (if applicable).
8. Turn on power and verify that the tubes are working correctly. **If not, immediately turn off power and contact Keystone Technologies.**

ORDERING INFORMATION

ORDER CODE	PACK QTY.	EASY CODE	UPC
KT-LED10T5HE-36G-835-E	25	UVV-20	843654133010
KT-LED10T5HE-36G-840-E	25	HRM-37	843654133027
KT-LED10T5HE-36G-850-E	25	NLF-45	843654133034

CATALOG NUMBER BREAKDOWN

KT-LED10T5HE-36G-8XX-E

- | | |
|----------------------------------|--------------------------------|
| 1 Keystone Technologies | 6 Glass Construction |
| 2 LED Lamp | 7 CRI |
| 3 Wattage | 8 Color Temperature |
| 4 Lamp Type | 9 External Drive Series |
| 5 Nominal Length (Inches) | |