



# EXTERNAL DRIVE LED

TYPE C LED TUBES

## KT-LED10T8-48G-8XX-E /G2

T8 LED LAMP

### DESCRIPTION

10W T8 LED Tube | Type C | 3000K / 4000K / 5000K  
 | > 83 CRI | 0–10V Dimming



|   |
|---|
| <b>LAMP TYPE:</b> Linear                        |
| <b>BULB TYPE:</b> T8 LED                        |
| <b>BASE TYPE:</b> G13 (Medium Bi-Pin)           |
| <b>DIMMING TYPE:</b> 0–10V                      |
| <b>WATTAGE:</b> 10W                             |
| <b>LAMP INPUT VOLTAGE:</b> 36–45Vdc             |
| <b>COLOR TEMPERATURE:</b> 3000K / 4000K / 5000K |
| <b>COLOR RENDERING INDEX (CRI):</b> > 83        |



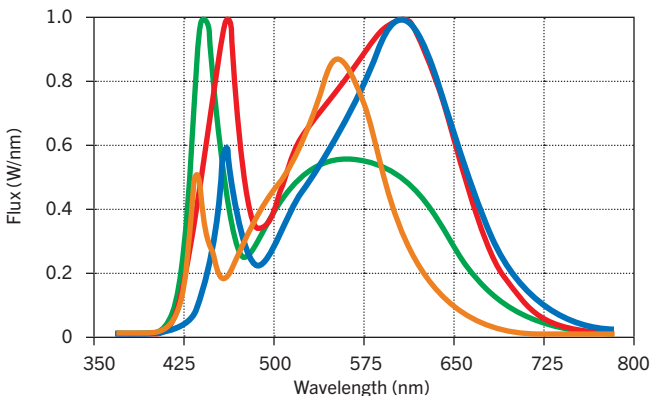
### PRODUCT FEATURES

- Compatible with Keystone external drive LED drivers
- Replacement for conventional fluorescent lamps
- 70,000+ hour lifetime
- Type C application for custom installations and maximum efficiency
- Environmentally friendly: No mercury used
- Low optical flicker
- Instant startup
- Frosted glass eliminates pixelation
- UL Classified
- Operating temperature: –20°C/–4°F to 45°C/113°F
- 130+ lumens per watt
- DLC Listed

### OPERATING SPECIFICATIONS

| Catalog Number           | Color Temp. | KTLD-2LT8-UV-10C-VDIM /G2 |                |                  |                     |                |                  | KTLD-4LT8-UV-10C-VDIM /G2 |                |                  |                     |                |                  |              |
|--------------------------|-------------|---------------------------|----------------|------------------|---------------------|----------------|------------------|---------------------------|----------------|------------------|---------------------|----------------|------------------|--------------|
|                          |             | 1 Lamp                    |                |                  | 2 Lamps             |                |                  | 3 Lamps                   |                |                  | 4 Lamps             |                |                  | Power Factor |
|                          |             | Nominal Input Power       | Nominal Lumens | Nominal Efficacy | Nominal Input Power | Nominal Lumens | Nominal Efficacy | Nominal Input Power       | Nominal Lumens | Nominal Efficacy | Nominal Input Power | Nominal Lumens | Nominal Efficacy |              |
| KT-LED10T8-48G-830-E /G2 | 3000K       | 11.5W                     | 1,600          | 139 lm/W         | 23W                 | 3,200          | 139 lm/W         | 34.5W                     | 4,800          | 139 lm/W         | 46W                 | 6,400          | 139 lm/W         | >0.9         |
| KT-LED10T8-48G-835-E /G2 | 3500K       | 11.5W                     | 1,625          | 141 lm/W         | 23W                 | 3,250          | 141 lm/W         | 34.5W                     | 4,875          | 141 lm/W         | 46W                 | 6,500          | 141 lm/W         | >0.9         |
| KT-LED10T8-48G-840-E /G2 | 4000K       | 11.5W                     | 1,650          | 143 lm/W         | 23W                 | 3,300          | 143 lm/W         | 34.5W                     | 4,950          | 143 lm/W         | 46W                 | 6,600          | 143 lm/W         | >0.9         |
| KT-LED10T8-48G-850-E /G2 | 5000K       | 11.5W                     | 1,700          | 148 lm/W         | 23W                 | 3,400          | 148 lm/W         | 34.5W                     | 5,100          | 148 lm/W         | 46W                 | 6,800          | 148 lm/W         | >0.9         |

### SPECTRAL DISTRIBUTION



### RATED LIFE

|             |        |
|-------------|--------|
| L70 (Hours) | 70,000 |
|-------------|--------|

BEAM ANGLE: 240°

VISIBLE LIGHT AREA: 325°



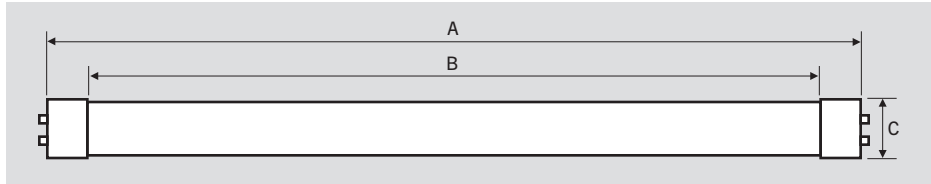
# EXTERNAL DRIVE LED

TYPE C LED TUBES

## KT-LED10T8-48G-8XX-E /G2

T8 LED LAMP

### PHYSICAL CHARACTERISTICS

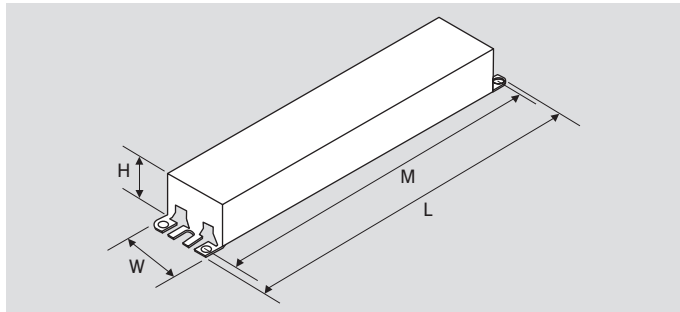


#### LAMP DIMENSIONS

|                        |        |
|------------------------|--------|
| A (Body Length)        | 47.19" |
| B (Illuminated Length) | 46.19" |
| C (Diameter)           | 1.00"  |

NOMINAL LENGTH: 48"

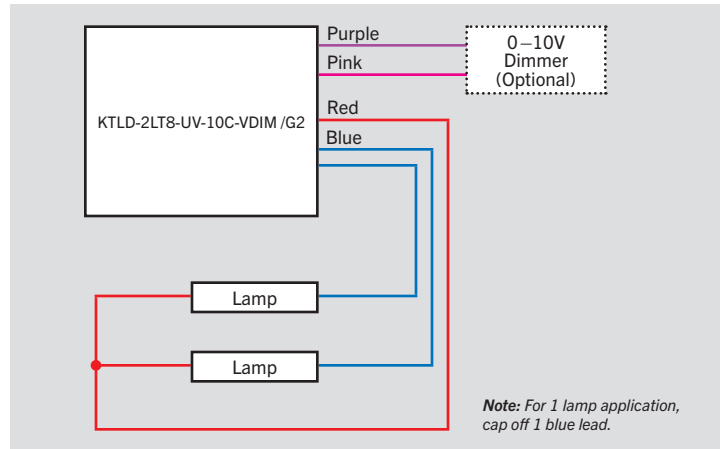
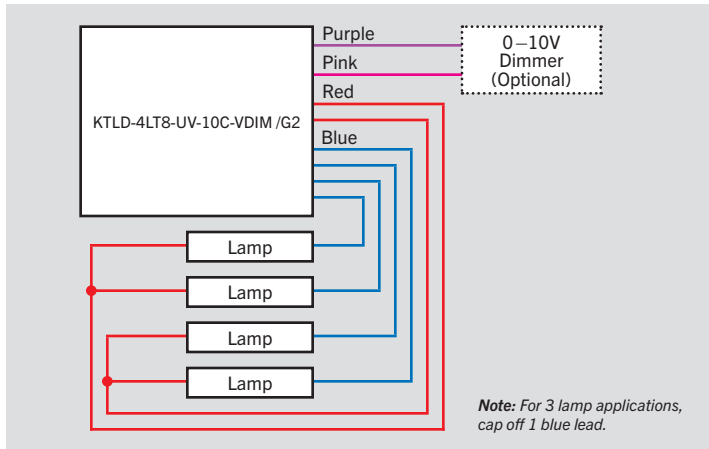
BASE TYPE: G13 (Medium Bi-Pin)



#### DRIVER DIMENSIONS

| KTLD-2LT8-UV-10C-VDIM /G2 |       | KTLD-4LT8-UV-10C-VDIM /G2 |       |
|---------------------------|-------|---------------------------|-------|
| Length (L)                | 9.50" | Length (L)                | 9.60" |
| Width (W)                 | 1.30" | Width (W)                 | 1.80" |
| Height (H)                | 1.10" | Height (H)                | 1.30" |
| Mounting (M)              | 8.90" | Mounting (M)              | 8.90" |

### WIRING DIAGRAMS





# KT-LED10T8-48G-8XX-E /G2

## T8 LED LAMP

### ORDERING INFORMATION

| Order Code               | Pack Qty. | UPC          | Easy Code |
|--------------------------|-----------|--------------|-----------|
| KT-LED10T8-48G-830-E /G2 | 25        | 843654140919 | HNM-39    |
| KT-LED10T8-48G-835-E /G2 | 25        | 843654140926 | FYW-48    |
| KT-LED10T8-48G-840-E /G2 | 25        | 843654140933 | EDH-11    |
| KT-LED10T8-48G-850-E /G2 | 25        | 843654140940 | EFL-65    |

### CATALOG NUMBER BREAKDOWN

# KT-LED10T8-48G-8XX-E /G2

1 2 3 4 5 6 7 8 9 10

- 1 Keystone Technologies
- 2 LED Lamp
- 3 Wattage
- 4 Lamp Type
- 5 Normal Length (Inches)
- 6 Material
- 7 80 CRI
- 8 Color Temp.
- 9 External Drive Series
- 10 Generation 2