



KT-LED114P-EV-8xx-S

4-PIN LED LAMP



DESCRIPTION

11W 4-Pin LED Lamp | 2700K, 3000K, 3500K, 4000K, 5000K | ≥ 83 CRI | CFL Ballast Compatible

LAMP TYPE: Compact
BULB TYPE: 4-Pin LED
BASE TYPE: G24q/GX24q
LAMP WATTAGE: 11W
COLOR TEMPERATURE: 2700K, 3000K, 3500K, 4000K, 5000K
COLOR RENDERING INDEX (CRI): ≥ 83
WARRANTY: 5 Years



PRODUCT FEATURES

- **Plug and Play: Directly Compatible with Most Existing CFL Ballasts. Contact Keystone for Ballast Compatibility List.**
- Replacement for Conventional CFL 18W/26W/32W/42W G24q Lamps
- Approximately 50% More Energy Efficient than Traditional CFL Lamps
- Up to 5x Longer Life than Traditional CFL Lamps
- Operating Temperature: -20°C/-4°F to 45°C/113°F

- Environmentally Friendly: No Mercury Used
- Frosted Lens Eliminates Pixelation
- 50,000+ Hour Lifetime
- Instant Startup
- UL Classified and UL Recognized Component

OPERATING SPECIFICATIONS

ELECTRICAL CHARACTERISTICS

Input Voltage	Lamp Wattage	Power Factor	Nominal System Wattage*
Ballast Dependent	11W	>0.9	13W

PHOTOMETRIC CHARACTERISTICS

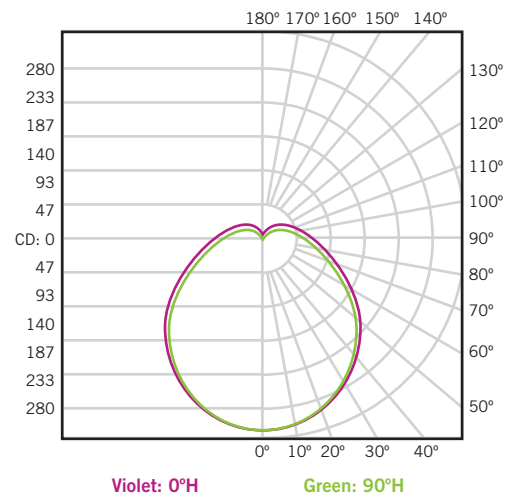
Color Temperature (CCT)	2700K	3000K	3500K	4000K	5000K
Luminous Flux*	1000 lm	1000 lm	1000 lm	1050 lm	1050 lm
Color Rendering Index (CRI)	≥ 83	≥ 83	≥ 83	≥ 83	≥ 83
System Efficacy	77 lm/W	77 lm/W	77 lm/W	81 lm/W	81 lm/W
Beam Angle	>120°	>120°	>120°	>120°	>120°

* When used with a ballast designed for 18W or 13W primary lamp application, wattage and lumen output are typically reduced.

RATED LIFE

L70 (Hours)	50,000
-------------	--------

POLAR CANDELA DISTRIBUTION





KT-LED114P-EV-8xx-S

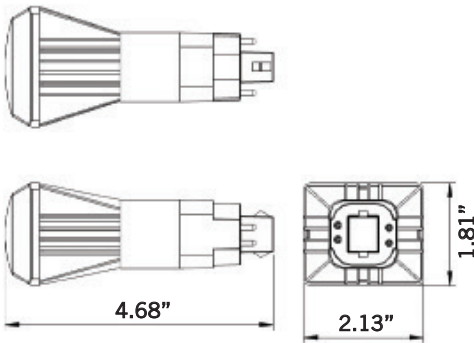
4-PIN LED LAMP

WIRING

Once ballast compatibility is confirmed, simply replace the existing fluorescent lamp with a Keystone SmartDrive LED lamp. No changes to the existing fluorescent ballast wiring are needed. Visit SmartDriveLED.com for ballast compatibility list.

PHYSICAL CHARACTERISTICS

LAMP DIMENSIONS



ORDERING INFORMATION

ORDER CODE	PACKAGING STYLE	PACK QTY.	ITEM STATUS
KT-LED114P-EV-8xx-S-DP	Distributor Pack	10	Quick Ship

CATALOG NUMBER BREAKDOWN

KT-LED114P-EV-8XX-S-DP

Keystone Technologies	LED Lamp	Wattage	Lamp Type	Orientation	800 Series	Color Temp.	Smart Drive Series	Packaging Style
-----------------------	----------	---------	-----------	-------------	------------	-------------	--------------------	-----------------