



# KT-LED12.5T5HE-48GC-8CSJ-DX2

## T5 LED LAMP

### DESCRIPTION

12.5W T5 LED | 3000/3500/4000/5000/6500K | > 80 CRI | High-Efficiency  
 | Single- or Double-Ended Wiring | Color Select



<b>LAMP TYPE:</b> Linear
<b>BULB TYPE:</b> T5 LED
<b>BASE TYPE:</b> G5 (Miniature Bi-Pin)
<b>WATTAGE:</b> 12.5W
<b>COLOR TEMPERATURE:</b> 3000/3500/4000/5000/6500K
<b>COLOR RENDERING INDEX (CRI):</b> > 80
<b>WARRANTY:</b> 5 Years



### PRODUCT FEATURES

- Replacement for Conventional Fluorescent Lamps
- Bypass Ballast Application: 120-277 Line Voltage Wired Single- or Double-Ended
- Keystone Color Select Technology (3000/3500/4000/5000/6500K)
- Frosted Lens Provides Diffuse Distribution and Eliminates Pixelation
- Environmentally Friendly: No Mercury Used
- UL Classified; Listed on DLC Qualified Products List
- Suitable for Dry and Damp Locations
- Operating Temperature: -20°C / -4°F to 45°C / 113°F
- 50,000+ Hour Lifetime
- Meets FCC, Part 15 Class B Standards
- NSF Listed: NSF/ANSI Standard 2 - Food Equipment
- Lamp is Dimmable When Used with an Appropriate Dimming Accessory (Purchased Separately)

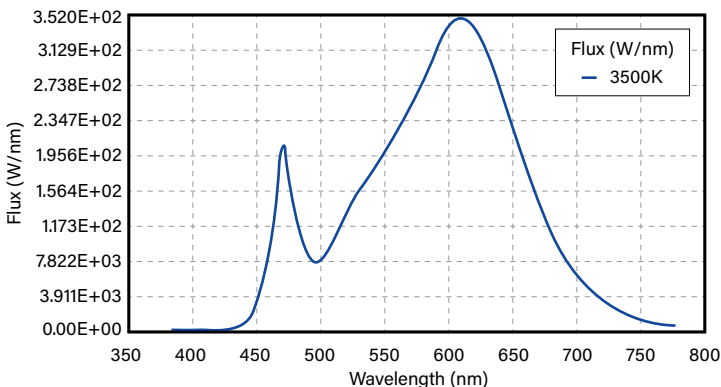
### ELECTRICAL AND PERFORMANCE SPECIFICATIONS

Catalog Number	Bare Lamp Wattage	System Wattage*	Color Temperature (CCT)	Initial Lumens*	Nominal Bare Lamp Efficacy	Nominal System Efficacy	CRI	Power Factor	Max. THD
KT-LED12.5T5HE-48GC-8CSJ-DX2	12.5W	13.8W	3000K	1700	136 lm/W	123 lm/W	80	>0.9	25%
			3500K	1700	136 lm/W	123 lm/W			
			4000K	1800	144 lm/W	130 lm/W			
			5000K	1800	144 lm/W	130 lm/W			
			6500K	1800	144 lm/W	130 lm/W			

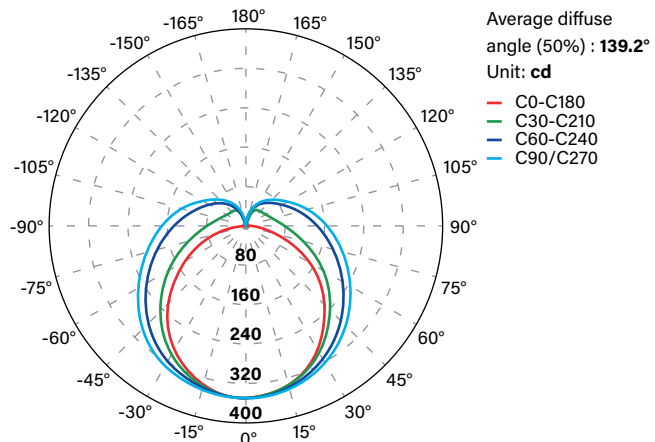
\* Nominal values. Actual values may vary depending on electronic ballast used.

### PHOTOMETRIC SPECIFICATIONS

#### SPECTRAL DISTRIBUTION



#### LUMINOUS INTENSITY DISTRIBUTION



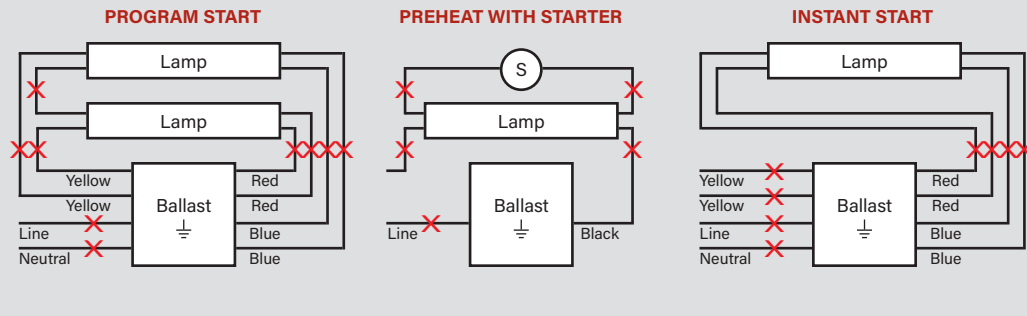
# KT-LED12.5T5HE-48GC-8CSJ-DX2

## T5 LED LAMP

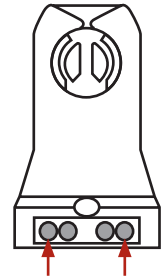
### SINGLE-ENDED WIRING DIAGRAM

1. Cut all existing connections to ballast as shown below and remove ballast. *Figure A* for typical ballast configurations. **Note: Single-ended wiring requires non-shunted lampholders.**

**FIGURE A** TYPICAL BALLAST CONFIGURATIONS



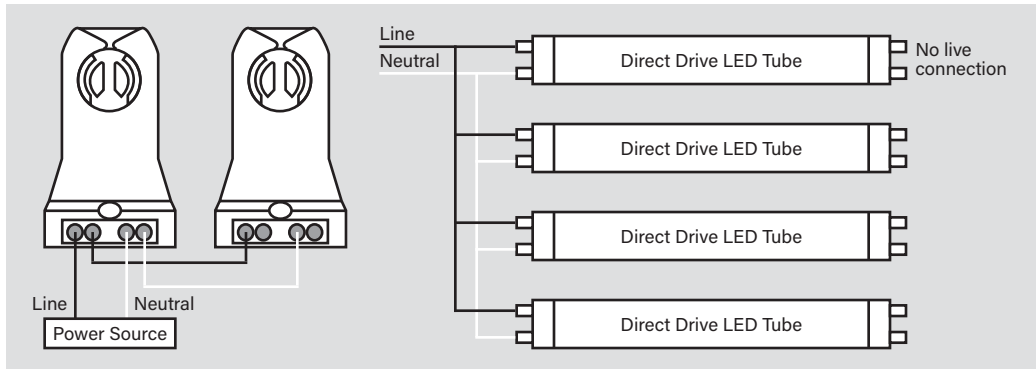
**TYPICAL NON-SHUNTED LAMPHOLDER**



Connect wires directly to these terminals

**CAUTION: FOR SINGLE-ENDED WIRING USE ONLY NON-SHUNTED LAMPHOLDERS.**

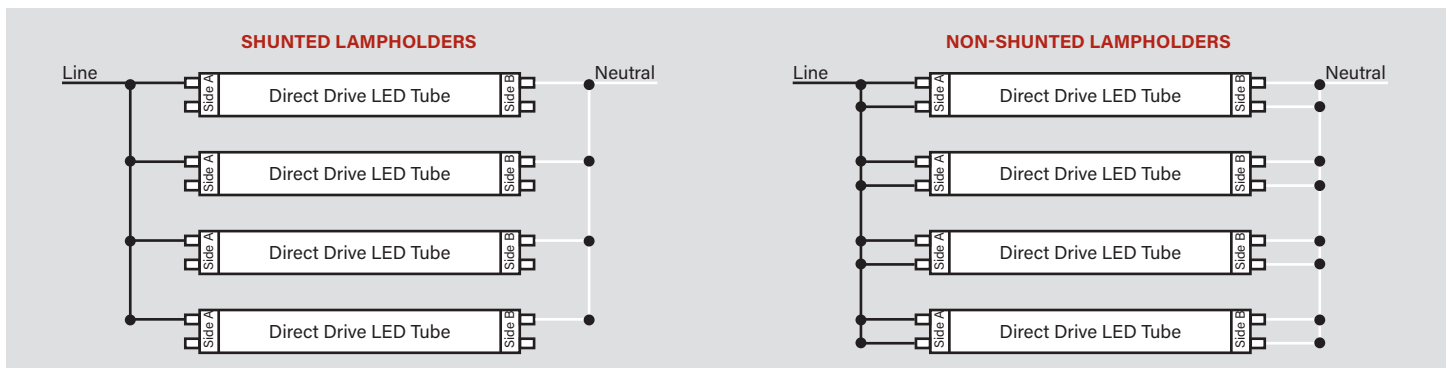
2. Rewire fixture as shown below.



For Single-ended wiring, do not install product in a fixture with shunted lampholders (found in all fixtures using instant start ballasts). If the current lampholders are shunted, remove them and replace them with non-shunted lampholders. Make new connections directly to terminals as indicated above. Keystone can provide any style replacement lampholders. Call us at 800-464-2680.

### DOUBLE-ENDED WIRING DIAGRAM

1. Cut all existing connections to ballast as shown below and remove ballast. See *Figure A* above for typical ballast configurations.  
2. Re-wire fixture as shown below. For double-ended wiring, use either shunted or nonshunted lampholders.  
**NOTE: There should not be any exposed wires at the end of installation.**

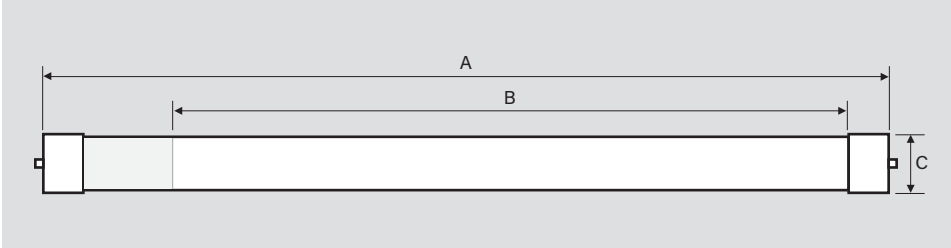




# KT-LED12.5T5HE-48GC-8CSJ-DX2

## T5 LED LAMP

### PHYSICAL SPECIFICATIONS



### LAMP DIMENSIONS

A (Body Length)	45.24"
B (Illuminated Length)	39.41"
C (Diameter)*	0.81"

NOMINAL LENGTH: 48"

BASE TYPE: G5 (Miniature Bi-Pin)

*\*Though nominally referred to as a T5, this lamp has a T6 diameter.*

### ORDERING INFORMATION

ORDER CODE	PACK QTY.	EASY CODE	UPC
KT-LED12.5T5HE-48GC-8CSJ-DX2	25 pcs	ZQY-41	843654167312

### CATALOG NUMBER BREAKDOWN

# KT-LED12.5T5HE-48GC-8CSJ-DX2

- 1
- 2
- 3
- 4
- 5
- 6
- 7
- 8
- 9
- 10

- 1 Keystone Technologies
- 2 LED Lamp
- 3 Wattage
- 4 Lamp Type
- 5 Nominal Length (Inches)
- 6 Shatter-Proof Coated Glass
- 7 80 CRI
- 8 Color Select
- 9 Color Select Designation
- 10 Single- or Double-Ended Wiring

- 9 Color Select Designation
- J 3000/3500/4000/5000/6500K