



# EXTERNAL DRIVE LED

TYPE C LED TUBES

## KT-LED12T8-48G-8XX-E

T8 LED LAMP

### DESCRIPTION

12W T8 LED Tube | Type C | 3000–5000K | >83 CRI | 0–10V Dimming



RoHS Compliant

5 YEAR WARRANTY

<b>LAMP TYPE:</b> Linear
<b>BULB TYPE:</b> T8 LED
<b>BASE TYPE:</b> G13 (Medium Bi-Pin)
<b>DIMMING TYPE:</b> 0–10V
<b>WATTAGE:</b> 12W
<b>LAMP INPUT VOLTAGE:</b> 36–45Vdc
<b>COLOR TEMPERATURE:</b> 3000–5000K
<b>COLOR RENDERING INDEX (CRI):</b> >83



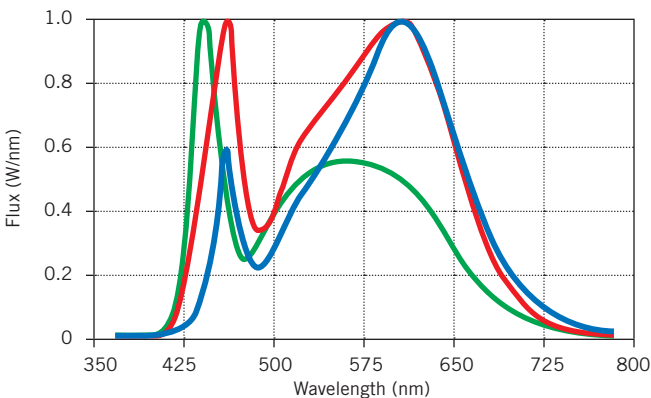
### PRODUCT FEATURES

- Compatible with Keystone external drive LED drivers
- Replacement for conventional fluorescent lamps
- 50,000+ hour lifetime
- Type C application for custom installations and maximum efficiency
- Environmentally friendly: No mercury used
- Instant startup
- Frosted glass eliminates pixelation
- UL Classified (pending)
- Operating temperature: -20°C/-4°F to 45°C/113°F
- 120+ lumens per watt
- DLC Listed

### OPERATING SPECIFICATIONS

Catalog Number	Color Temp.	KTLD-1LT8-UV-12C-VDIM													
		KTLD-2LT8-UV-12C-VDIM						KTLD-4LT8-UV-12C-VDIM							
		1 Lamp			2 Lamps			3 Lamps			4 Lamps			Power Factor	
Nominal Input Power	Nominal Lumens	Nominal Efficacy	Nominal Input Power	Nominal Lumens	Nominal Efficacy	Nominal Input Power	Nominal Lumens	Nominal Efficacy	Nominal Input Power	Nominal Lumens	Nominal Efficacy				
KT-LED12T8-48G-830-E	3000K	13W	1,650	127 lm/W	26W	3,300	127 lm/W	39W	4,950	127 lm/W	52W	6,600	127 lm/W	>0.9	
KT-LED12T8-48G-835-E	3500K	13W	1,700	131 lm/W	26W	3,400	131 lm/W	39W	5,100	131 lm/W	52W	6,800	131 lm/W	>0.9	
KT-LED12T8-48G-840-E	4000K	13W	1,750	135 lm/W	26W	3,500	135 lm/W	39W	5,250	135 lm/W	52W	7,000	135 lm/W	>0.9	
KT-LED12T8-48G-850-E	5000K	13W	1,800	139 lm/W	26W	3,600	139 lm/W	39W	5,400	139 lm/W	52W	7,200	139 lm/W	>0.9	

### SPECTRAL DISTRIBUTION



### RATED LIFE

L70 (Hours)	50,000
-------------	--------

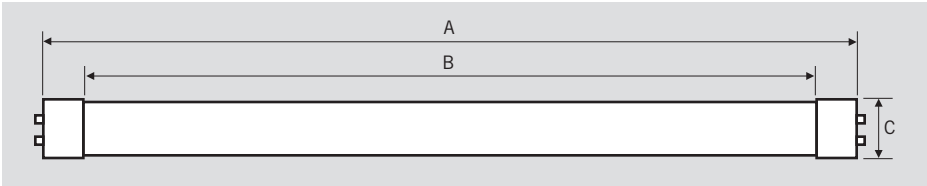
BEAM ANGLE: 240°

VISIBLE LIGHT AREA: 325°

Flux (W/nm)
3000K, 3500K
4000K
5000K

**KT-LED12T8-48G-8XX-E**  
T8 LED LAMP

**PHYSICAL CHARACTERISTICS**

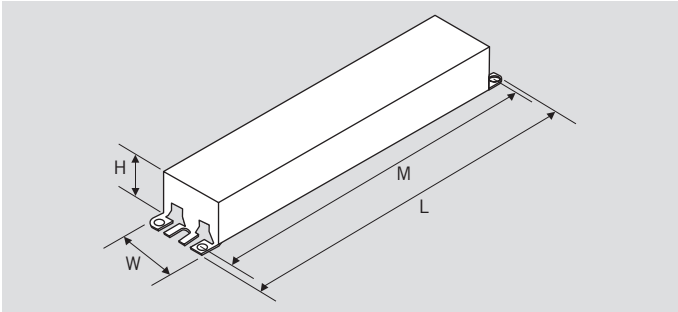


**LAMP DIMENSIONS**

A (Body Length)	47.19"
B (Illuminated Length)	46.19"
C (Diameter)	1.00"

**NOMINAL LENGTH: 48"**

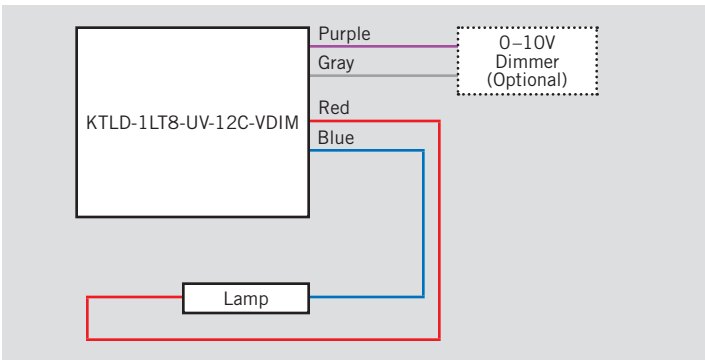
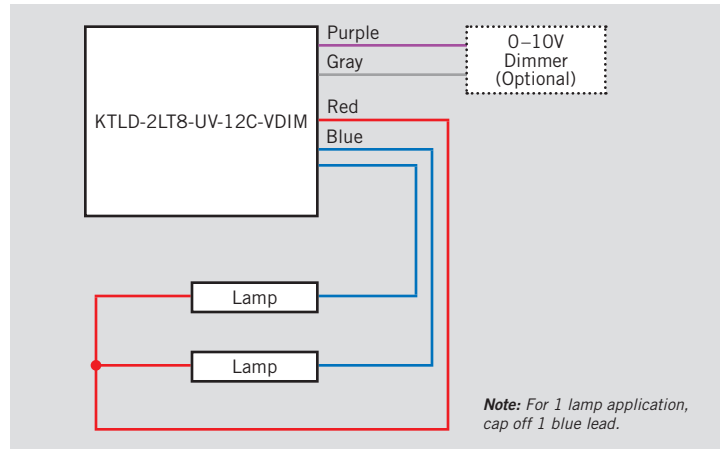
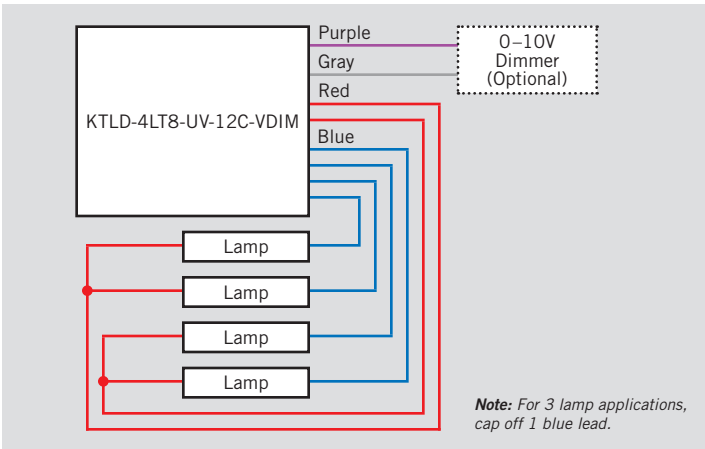
**BASE TYPE: G13 (Medium Bi-Pin)**



**DRIVER DIMENSIONS**

	KTLD-1LT8-UV-12C-VDIM	KTLD-2LT8-UV-12C-VDIM	KTLD-4LT8-UV-12C-VDIM
Length (L)	9.50"	9.50"	9.60"
Width (W)	1.30"	1.30"	1.80"
Height (H)	1.10"	1.10"	1.30"
Mounting (M)	8.90"	8.90"	8.90"

**WIRING DIAGRAMS**





# KT-LED12T8-48G-8XX-E

## T8 LED LAMP

**ORDERING INFORMATION**

ORDER CODE	PACK QTY.	EASY CODE	UPC
KT-LED12T8-48G-830-E-CP	25	TBD	TBD
KT-LED12T8-48G-835-E-CP	25	SND-25	843654128870
KT-LED12T8-48G-840-E-CP	25	XGE-06	843654128887
KT-LED12T8-48G-850-E-CP	25	COA-54	843654128894

**CATALOG NUMBER BREAKDOWN**

# KT-LED12T8-48G-8XX-E

1
2
3
4
5
6
7
8
9

- 1** Keystone Technologies
- 2** LED Lamp
- 3** Wattage
- 4** Lamp Type
- 5** Nominal Length (Inches)
- 6** Glass Construction
- 7** 800 Series
- 8** Color Temperature
- 9** External Drive Series