



# EXTERNAL DRIVE LED

TYPE C LED TUBES

## KT-LED12T8-48G-8XX-E /G2

T8 LED LAMP

### DESCRIPTION

12W T8 LED Tube | Type C | 3500K / 4000K / 5000K  
 | > 83 CRI | 0–10V Dimming



<b>LAMP TYPE:</b> Linear
<b>BULB TYPE:</b> T8 LED
<b>BASE TYPE:</b> G13 (Medium Bi-Pin)
<b>DIMMING TYPE:</b> 0–10V
<b>WATTAGE:</b> 12W
<b>LAMP INPUT VOLTAGE:</b> 36–45Vdc
<b>COLOR TEMPERATURE:</b> 3500K / 4000K / 5000K
<b>COLOR RENDERING INDEX (CRI):</b> > 83



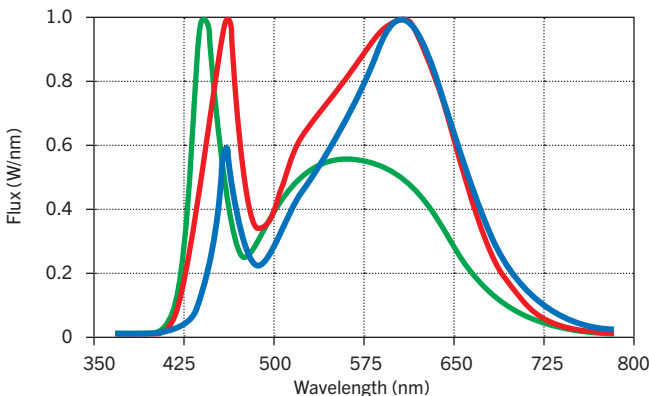
### PRODUCT FEATURES

- Compatible with Keystone external drive LED drivers
- Replacement for conventional fluorescent lamps
- 70,000+ hour lifetime
- Type C application for custom installations and maximum efficiency
- Environmentally friendly: No mercury used
- Low optical flicker
- Instant startup
- Frosted glass eliminates pixelation
- UL Classified (pending)
- Operating temperature: –20°C/–4°F to 45°C/113°F
- 120+ lumens per watt
- DLC Listed

### OPERATING SPECIFICATIONS

Catalog Number	Color Temp.	KTLD-1LT8-UV-12C-VDIM /G2						KTLD-2LT8-UV-12C-VDIM /G2						KTLD-4LT8-UV-12C-VDIM /G2					
		1 Lamp			2 Lamps			3 Lamps			4 Lamps			Power Factor					
		Nominal Input Power	Nominal Lumens	Nominal Efficacy	Nominal Input Power	Nominal Lumens	Nominal Efficacy	Nominal Input Power	Nominal Lumens	Nominal Efficacy	Nominal Input Power	Nominal Lumens	Nominal Efficacy						
KT-LED12T8-48G-835-E /G2	3500K	13W	1,700	131 lm/W	26W	3,400	131 lm/W	39W	5,100	131 lm/W	52W	6,800	131 lm/W	>0.9					
KT-LED12T8-48G-840-E /G2	4000K	13W	1,750	135 lm/W	26W	3,500	135 lm/W	39W	5,250	135 lm/W	52W	7,000	135 lm/W	>0.9					
KT-LED12T8-48G-850-E /G2	5000K	13W	1,800	139 lm/W	26W	3,600	139 lm/W	39W	5,400	139 lm/W	52W	7,200	139 lm/W	>0.9					

### SPECTRAL DISTRIBUTION



### RATED LIFE

L70 (Hours) 70,000

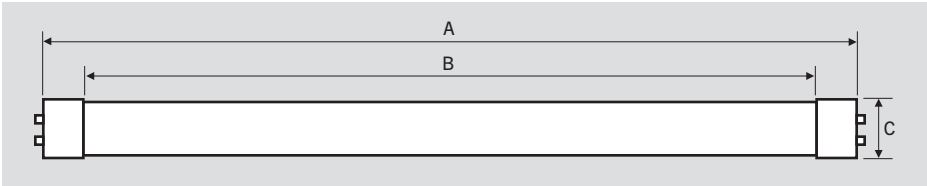
BEAM ANGLE: 240°

VISIBLE LIGHT AREA: 325°

# KT-LED12T8-48G-8XX-E /G2

## T8 LED LAMP

### PHYSICAL CHARACTERISTICS

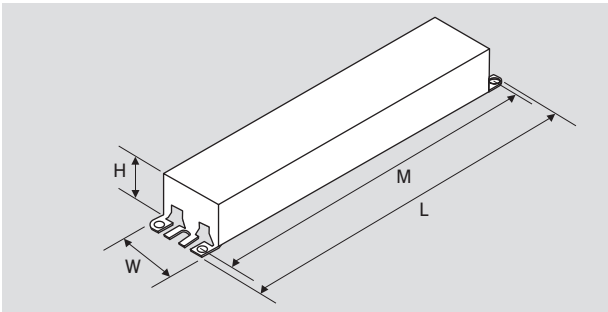


### LAMP DIMENSIONS

A (Body Length)	47.19"
B (Illuminated Length)	46.19"
C (Diameter)	1.00"

**NOMINAL LENGTH:** 48"

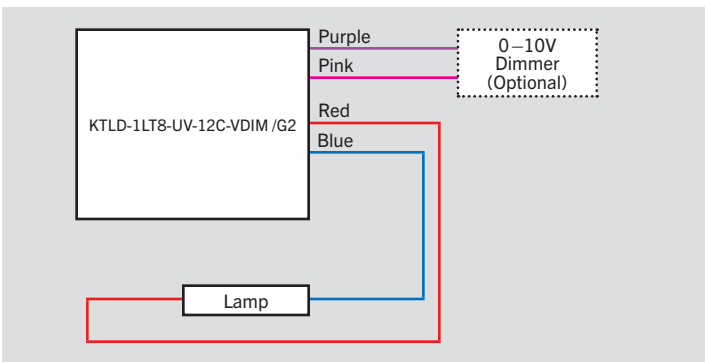
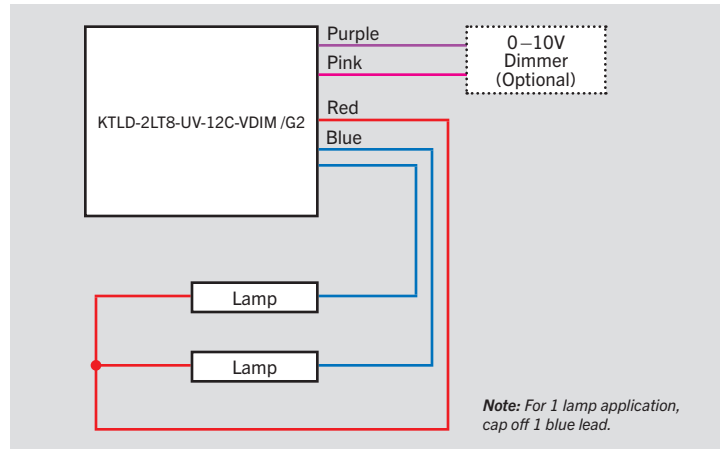
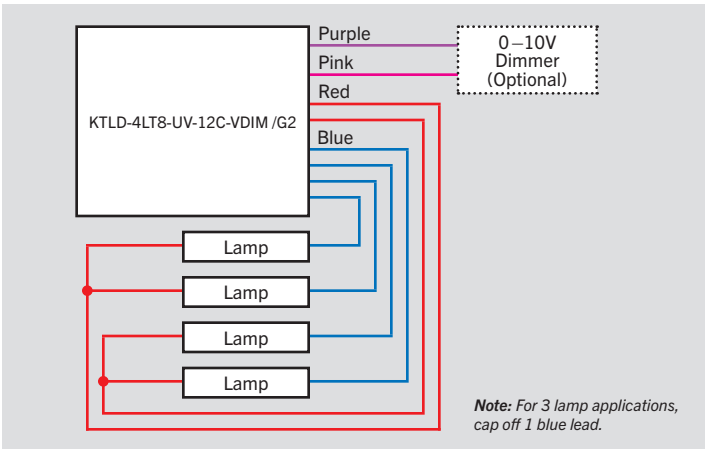
**BASE TYPE:** G13 (Medium Bi-Pin)



### DRIVER DIMENSIONS

KTLD-1LT8-UV-12C-VDIM /G2		KTLD-2LT8-UV-12C-VDIM /G2		KTLD-4LT8-UV-12C-VDIM /G2	
Length (L)	9.50"	Length (L)	9.50"	Length (L)	9.60"
Width (W)	1.30"	Width (W)	1.30"	Width (W)	1.80"
Height (H)	1.10"	Height (H)	1.10"	Height (H)	1.30"
Mounting (M)	8.90"	Mounting (M)	8.90"	Mounting (M)	8.90"

### WIRING DIAGRAMS





**EXTERNAL DRIVE LED**  
TYPE C LED TUBES

# KT-LED12T8-48G-8XX-E /G2

## T8 LED LAMP

### ORDERING INFORMATION

Order Code	Pack Qty.	UPC	Easy Code
KT-LED12T8-48G-835-E/G2	25	843654140957	G00-83
KT-LED12T8-48G-840-E/G2	25	843654140964	SAF-77
KT-LED12T8-48G-850-E/G2	25	843654140971	ZQW-68

### CATALOG NUMBER BREAKDOWN

# KT-LED12T8-48G-8XX-E /G2

1 2 3 4 5 6 7 8 9 10

- 1 Keystone Technologies
- 2 LED Lamp
- 3 Wattage
- 4 Lamp Type
- 5 Normal Length (Inches)
- 6 Material
- 7 80 CRI
- 8 Color Temp
- 9 External Drive Series
- 10 Generation 2