



KT-LED12T8-U6P-8CSA-E

T8 U-BEND LED LAMP

DESCRIPTION

12W T8 U-Bend LED | Type C | 3500K-5000K |
> 82 CRI | 0-10V Dimming



10 YEAR LIMITED WARRANTY

LAMP TYPE: U-Bend
BULB TYPE: T8 LED
BASE TYPE: G13 (Medium Bi-Pin)
DIMMING TYPE: 0-10V
WATTAGE: 12W
COLOR TEMPERATURE: 3500K-5000K
COLOR RENDERING INDEX (CRI): > 80



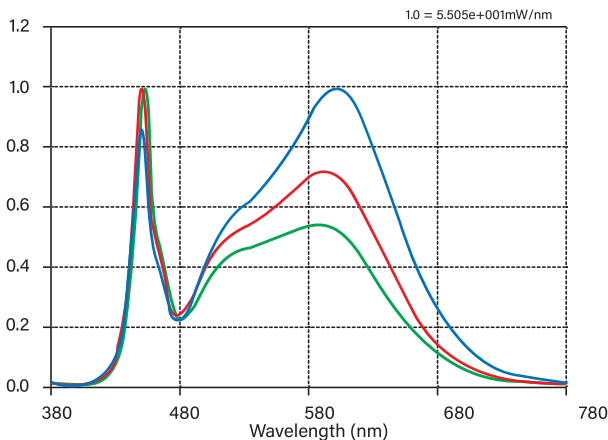
PRODUCT FEATURES

- UL Type C LED tubes, powered by Keystone Type C LED drivers
- UL Classified Std. 1598C
- Plastic construction
- Operating temperature: -20°C/-4°F to 45°C/113°F
- THD <15% at full driver load
- PF > 0.90 at full driver load
- 0-10V dimmable
- 50,000+ hours lifetime
- Keystone tube and driver pairing wires are exactly the same as an Instant Start T8 ballast for quick and easy installation
- Low optical flicker

LAMP SPECIFICATIONS

		Driver: KTLD-1LT8-UV-12C-VDIM /G2						
		Driver: KTLD-2LT8-UV-12C-VDIM /G2						
		1 Lamp			2 Lamps			
Catalog Number	Color Temp.	Nominal Input Power	Nominal Lumens	Nominal Efficacy	Nominal Input Power	Nominal Lumens	Nominal Efficacy	Power Factor
KT-LED12T8-U6P-8CSA-E	3500K	13W	1700 lm	130 lm/W	26W	3400 lm	130 lm/W	> 0.9
	4000K		1750 lm	134 lm/W		3500 lm	134 lm/W	> 0.9
	5000K		1800 lm	138 lm/W		3600 lm	138 lm/W	> 0.9

SPECTRAL DISTRIBUTION



RATED LIFE

L70 (Hours)	50,000
--------------------	--------

BEAM ANGLE: 220°

VISIBLE LIGHT AREA: 320°

Flux (W/nm)	
3500K	Blue line
4000K	Red line
5000K	Green line



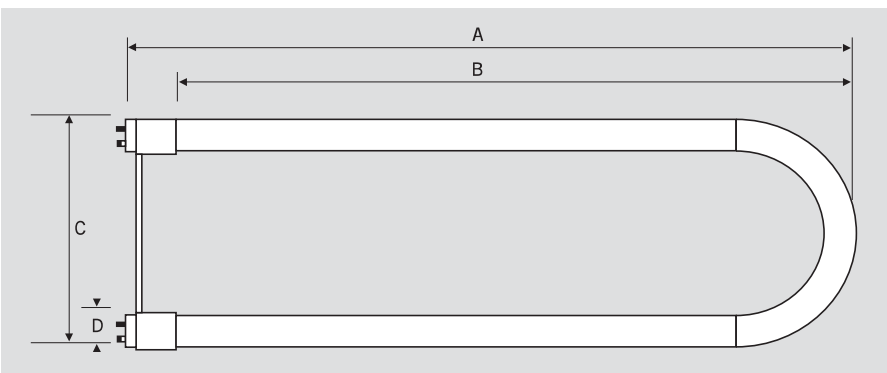
KT-LED12T8-U6P-8CSA-E

T8 U-BEND LED LAMP

DRIVER SPECIFICATIONS

Catalog Number	Description	Dimensions
KTLD-1LT8-UV-12C-VDIM	Driver for (1) T8 U-Bend lamp; 120-277V input, 0-10V dimming; 270mA output current	1.10" x 1.30" x 9.50"
KTLD-2LT8-UV-12C-VDIM	Driver for (2) T8 U-Bend lamps; 120-277V input, 0-10V dimming; 270mA output current	1.10" x 1.33" x 9.50"

PHYSICAL CHARACTERISTICS

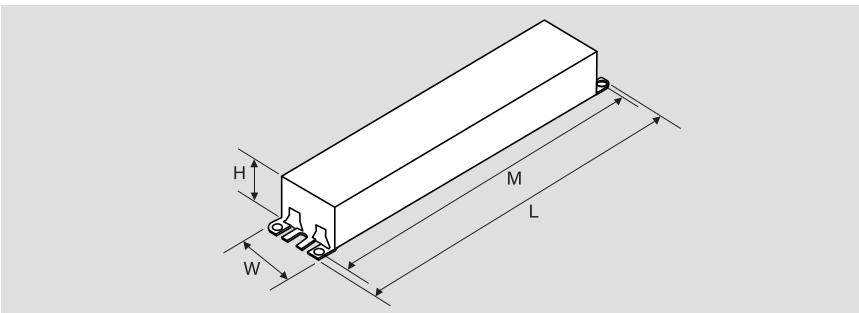


LAMP DIMENSIONS

A (Body Length)	22.55"
B (Illuminated Length)	20.71"
C (Body Width)	5.98"
D (Diameter)	1.10"

NOMINAL LENGTH: 48"

BASE TYPE: G13



DRIVER DIMENSIONS

	KTLD-1LT8-UV-12C-VDIM /G2	KTLD-2LT8-UV-12C-VDIM /G2
Length (L)	9.50"	Length (L) 9.50"
Width (W)	1.30"	Width (W) 1.30"
Height (H)	1.10"	Height (H) 1.10"
Mounting (M)	8.90"	Mounting (M) 8.90"



KT-LED12T8-U6P-8CSA-E

T8 U-BEND LED LAMP

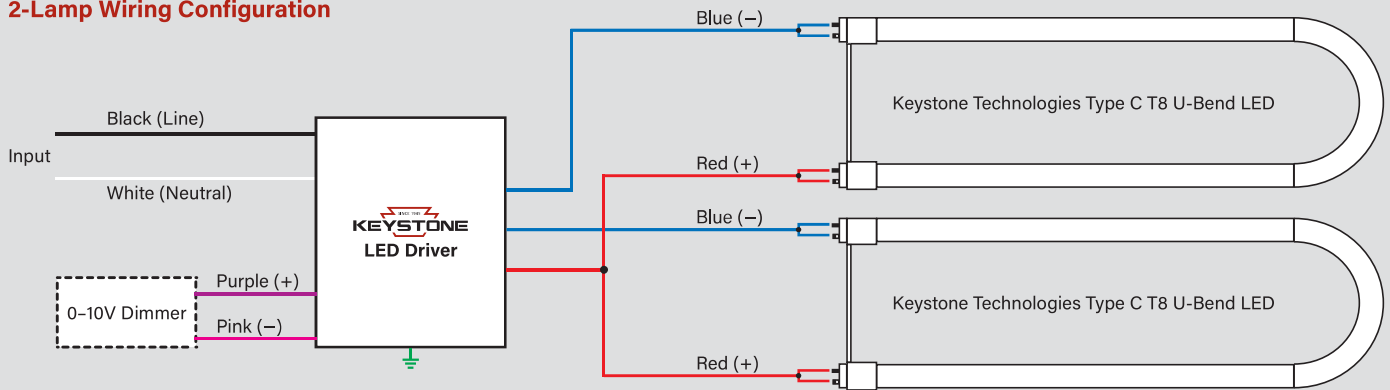
WIRING INSTRUCTIONS

1. Shut off power.
2. Wire according to diagrams (as shown below). **Note: Do not leave any loose wires exposed.**

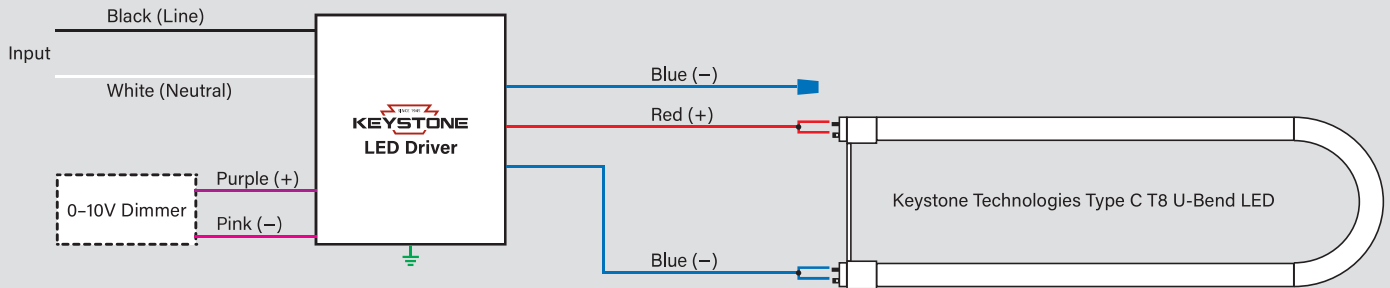
(continued on page 4)

NEW INSTALLATION: DOUBLE-ENDED WIRING

2-Lamp Wiring Configuration



1-Lamp Wiring Configuration





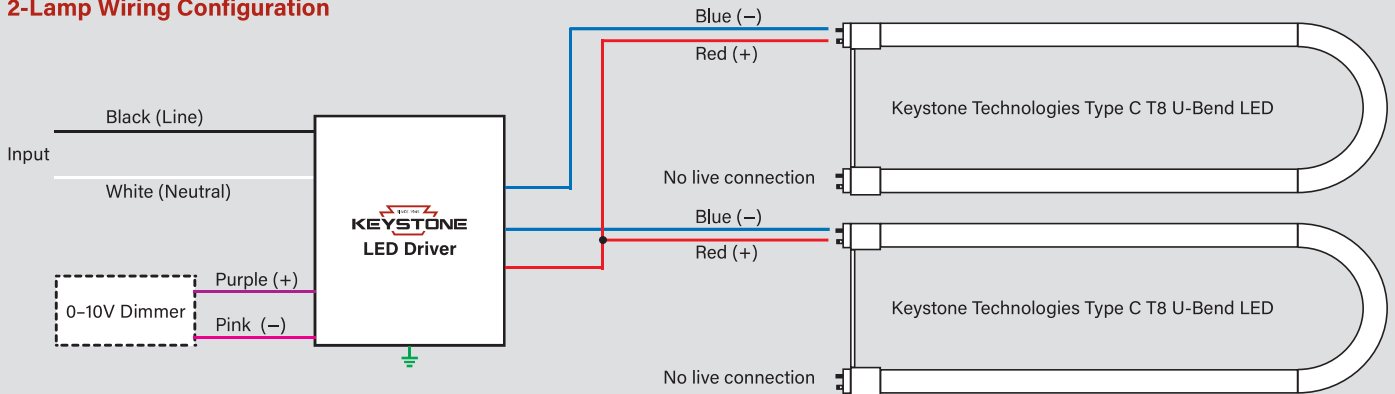
KT-LED12T8-U6P-8CSA-E

T8 U-BEND LED LAMP

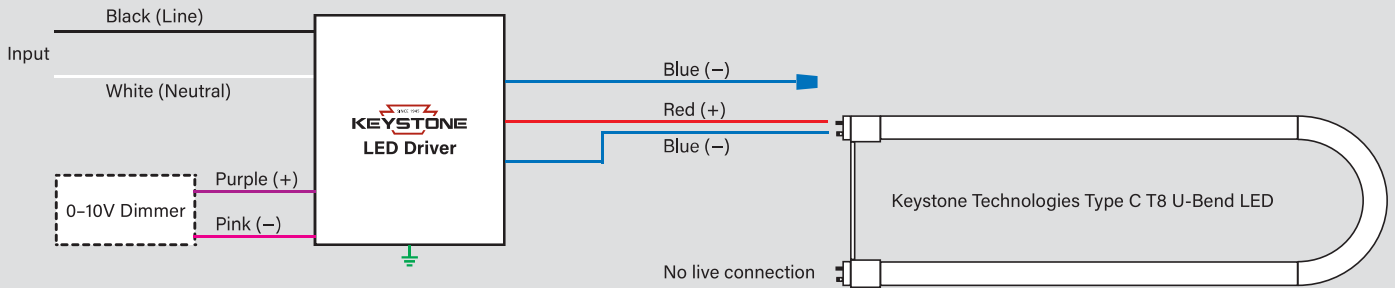
WIRING INSTRUCTIONS *(continued)*

NEW INSTALLATION: SINGLE-ENDED WIRING

2-Lamp Wiring Configuration



1-Lamp Wiring Configuration



3. Close compartment cover and make sure live parts are not accessible. Affix field-applied label in a visible section inside the luminaire.
4. Install the LED tubes and cover the diffuser (if applicable).
5. Turn on power and verify that the tubes are working correctly. **If not, immediately turn off power and contact Keystone Technologies.**

ORDERING INFORMATION

Order Code	Pack Qty.	UPC	Easy Code
KT-LED12T8-U6P-8CSA-E	25	843654141022	NMW-74

CATALOG NUMBER BREAKDOWN

KT-LED12T8-U6P-8CSA-E

1
2
3
4
5
6
7
8
9

- | | |
|---|---|
| <p>1 Keystone Technologies</p> <p>2 LED Lamp</p> <p>3 Wattage</p> <p>4 Lamp Type</p> <p>5 Nominal Size</p> | <p>6 Plastic Construction</p> <p>7 80 CRI</p> <p>8 Color Temperature</p> <p>9 External Drive Series</p> |
|---|---|