



EXTERNAL DRIVE LED

TYPE C LED TUBES

KT-LED13.5T8-48G-8XX-E /G2

T8 LED LAMP

DESCRIPTION

13.5W T8 LED Tube | Type C | 3500K / 4000K / 5000K
 | > 83 CRI | 0–10V Dimming



LAMP TYPE: Linear
BULB TYPE: T8 LED
BASE TYPE: G13 (Medium Bi-Pin)
DIMMING TYPE: 0–10V
WATTAGE: 13.5W
LAMP INPUT VOLTAGE: 36–45Vdc
COLOR TEMPERATURE: 3500K / 4000K / 5000K
COLOR RENDERING INDEX (CRI): > 83



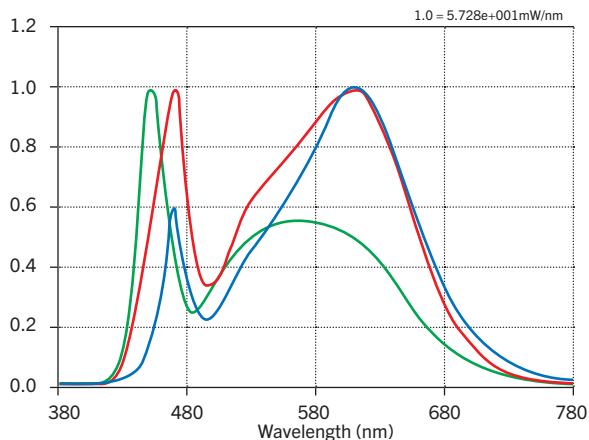
PRODUCT FEATURES

- Compatible with Keystone external drive LED drivers
- Replacement for conventional fluorescent lamps
- 70,000+ hour lifetime
- Type C application for custom installations and maximum efficiency
- Environmentally friendly: No mercury used
- Low Optical Flicker
- Instant startup
- Frosted glass eliminates pixelation
- UL Classified
- Operating temperature: –20°C/–4°F to 45°C/113°F
- 130+ lumens per watt
- DLC Listed

OPERATING SPECIFICATIONS

Catalog Number	Color Temp.	KTLD-2LT8-UV-13.5C-VDIM /G2						KTLD-4LT8-UV-13.5C-VDIM /G2						Power Factor
		1 Lamp			2 Lamps			3 Lamps			4 Lamps			
		Nominal Input Power	Nominal Lumens	Nominal Efficacy	Nominal Input Power	Nominal Lumens	Nominal Efficacy	Nominal Input Power	Nominal Lumens	Nominal Efficacy	Nominal Input Power	Nominal Lumens	Nominal Efficacy	
KT-LED13.5T8-48G-835-E /G2	3500K	15W	2,100	140 lm/W	30W	4,200	140 lm/W	45W	6,300	140 lm/W	60W	8,400	140 lm/W	>0.9
KT-LED13.5T8-48G-840-E /G2	4000K	15W	2,200	147 lm/W	30W	4,400	147 lm/W	45W	6,600	147 lm/W	60W	8,800	147 lm/W	>0.9
KT-LED13.5T8-48G-850-E /G2	5000K	15W	2,200	147 lm/W	30W	4,400	147 lm/W	45W	6,600	147 lm/W	60W	8,800	147 lm/W	>0.9

SPECTRAL DISTRIBUTION

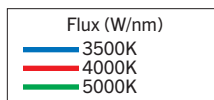


RATED LIFE

L70 (Hours) 70,000

BEAM ANGLE: 240°

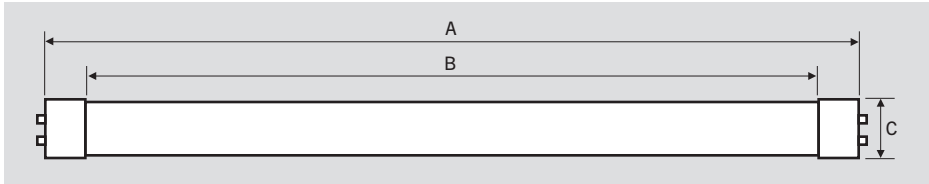
VISIBLE LIGHT AREA: 325°



KT-LED13.5T8-48G-8XX-E /G2

T8 LED LAMP

PHYSICAL CHARACTERISTICS

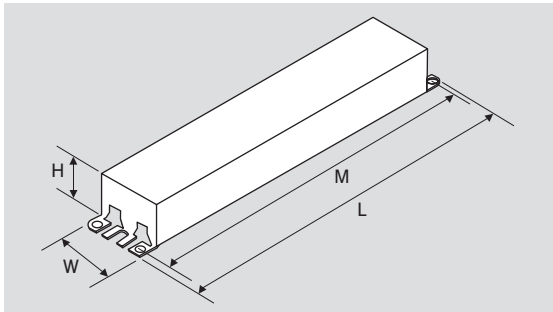


LAMP DIMENSIONS

A (Body Length)	47.19"
B (Illuminated Length)	46.19"
C (Diameter)	1.00"

NOMINAL LENGTH: 48"

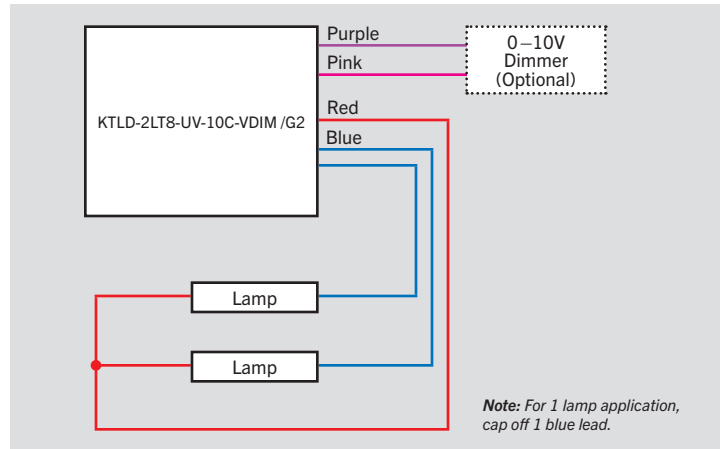
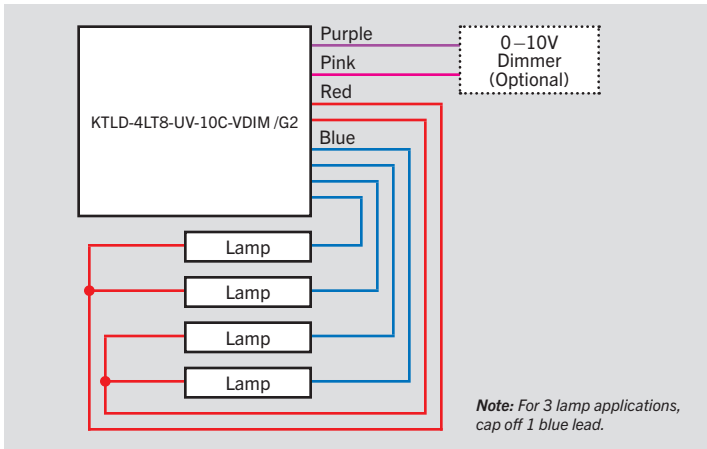
BASE TYPE: G13 (Medium Bi-Pin)



DRIVER DIMENSIONS

KTLD-2LT8-UV-13.5C-VDIM /G2		KTLD-4LT8-UV-13.5C-VDIM /G2	
Length (L)	9.50"	Length (L)	9.60"
Width (W)	1.30"	Width (W)	1.80"
Height (H)	1.10"	Height (H)	1.30"
Mounting (M)	8.90"	Mounting (M)	8.90"

WIRING DIAGRAMS





KT-LED13.5T8-48G-8XX-E /G2

T8 LED LAMP

ORDERING INFORMATION

Order Code	Pack Qty.	UPC	Easy Code
KT-LED13.5T8-48G-835-E /G2	25	843654140988	AMK-44
KT-LED13.5T8-48G-840-E /G2	25	843654140995	LSL-01
KT-LED13.5T8-48G-850-E /G2	25	843654141008	RYE-65

CATALOG NUMBER BREAKDOWN

KT-LED13.5T8-48G-8XX-E /G2

1 2 3 4 5 6 7 8 9 10

- 1 Keystone Technologies
- 2 LED Lamp
- 3 Wattage
- 4 Lamp Type
- 5 Normal Length (Inches)
- 6 Material
- 7 80 CRI
- 8 Color Temp
- 9 External Drive Series
- 10 Generation 2