



KT-LED15T8-48GC-8XX-DX2 /G2

T8 LED LAMP

DESCRIPTION

15W T8 LED | 3000-6500K | >82 CRI |
High Efficiency | Single or Double-ended Wiring



LAMP TYPE: Linear
BULB TYPE: T8 LED
BASE TYPE: G13 (Medium Bi-Pin)
WATTAGE: 15W
COLOR TEMPERATURE: 3000-6500K
COLOR RENDERING INDEX (CRI): >82
WARRANTY: 10 Years



PRODUCT FEATURES

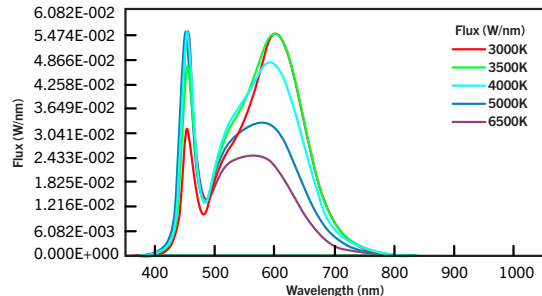
- Replacement for Conventional Fluorescent Lamp
- Single or Double-Ended Wiring
- 50,000+ Hour Lifetime
- Approximately 40% More Energy Efficient than Standard F32T8 Lamps
- Environmentally Friendly: No Mercury Used
- Instant Startup
- NSF listed: NSF/ANSI Standard 2: Food equipment, splash zone (component level—not for direct food zone without additional fixture considerations)
- Improved Lamp Durability with Shatterproof Coated Glass, designed to pass drop tests of 6' on hard surface
- Frosted Glass Lens Eliminates Pixelation
- UL Classified
- Operating Temperature: -20°C/-4°F to 45°C/113°F
- Storage Temperature: -40°C/-40°F to 70°C/158°F
- Operating Humidity: 35-80%
- THD 20%
- Integral Driver (Isolated), Eliminates the Need for External Driver or Ballast
- 125+ Lumens per Watt
- Meets FCC Part 15, Class B
- Compatible with Keystone AC Emergency Drivers: KT-EMRG-LED-5-500-AC, KT-EMRG-LED-5-500-AC/DF, KT-EMRG-LED-12-1200-AC, or KT-EMRG-LED-12-1200-AC /DF
- Lamp is dimmable when used with an appropriate dimming accessory (purchased separately). Contact Keystone for more details to find out what is best for the intended application.
- Not for use in sealed / vapor tight fixtures

PERFORMANCE SPECIFICATIONS

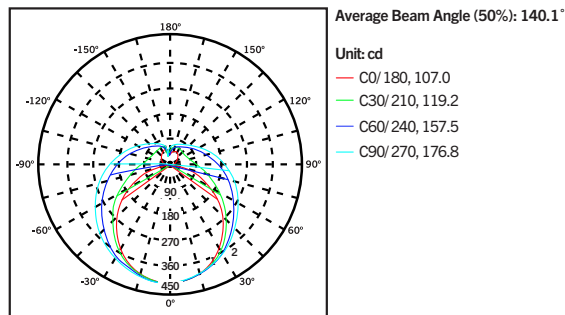
CATALOG NUMBER	INPUT VOLTAGE	WATTAGE	CCT	LUMEN OUTPUT	EFFICACY	CRI	BEAM ANGLE	VISIBLE LIGHT AREA	POWER FACTOR	INPUT CURRENT
KT-LED15T8-48GC-830-DX2 /G2	120-277V 60Hz	15W	3000K	1,900	127 lm/W	> 80.0	210	325	> 0.9	125mA @120V, 53mA @277V
KT-LED15T8-48GC-835-DX2 /G2			3500K	1,900	127 lm/W					
KT-LED15T8-48GC-840-DX2 /G2			4000K	2,000	133 lm/W					
KT-LED15T8-48GC-850-DX2 /G2			5000K	2,000	133 lm/W					
KT-LED15T8-48GC-865-DX2 /G2			6500K	2,000	133 lm/W					

PHOTOMETRIC SPECIFICATIONS

SPECTRAL DISTRIBUTION



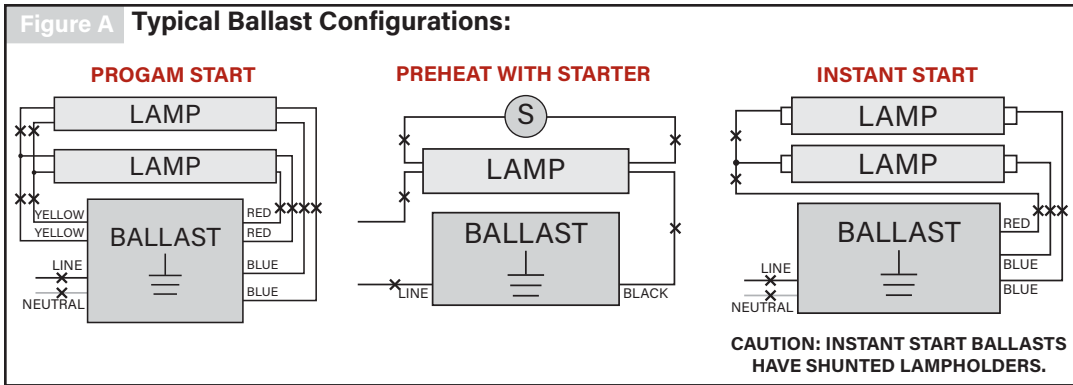
POLAR CANDELA DISTRIBUTION



KT-LED15T8-48GC-8XX-DX2 /G2
T8 LED LAMP

SINGLE-ENDED WIRING DIAGRAM

1. Cut all existing connections to ballast as shown below and remove ballast. See Figure A for typical ballast configurations. **Note: Single-ended wiring requires non-shunted lampholders.**



Typical Non-Shunted Lampholder

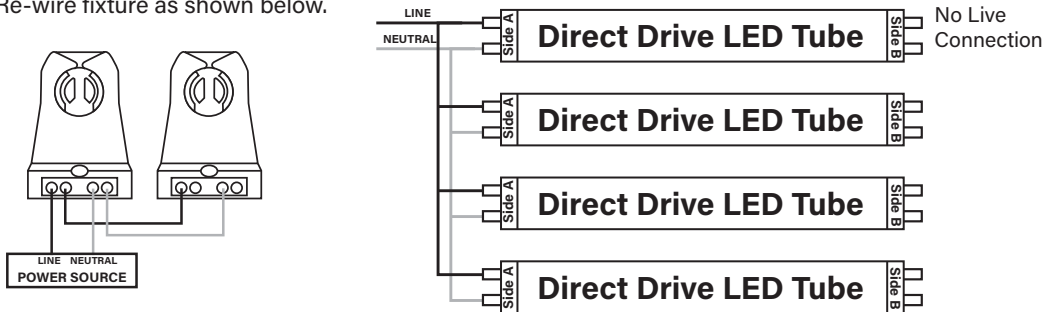
Connect wires directly to these terminals

CAUTION: For Single-ended wiring use only non-shunted lampholders.

For Single-ended wiring, do not install product in a fixture with shunted lampholders (found in all fixtures using instant start ballasts). If the current lampholders are shunted, remove them and replace them with non-shunted lampholders. Make new connections directly to terminals as indicated above.

Keystone can provide any style replacement lampholders. Call us at 800-464-2680.

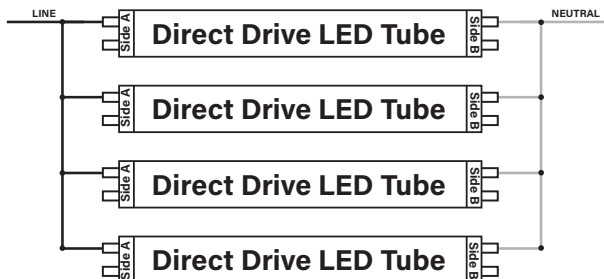
2. Re-wire fixture as shown below.



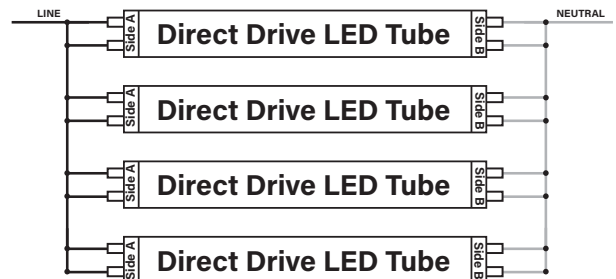
DOUBLE-ENDED WIRING DIAGRAM

1. Cut all existing connections to ballast as shown below and remove ballast. See Figure A above for typical ballast configurations.
2. Re-wire fixture as shown below. For Double-ended wiring, use either shunted or nonshunted lampholders. **Note: There should not be any exposed wires at the end of installation.**

Shunted Lampholders



Nonshunted Lampholders





DIRECT DRIVE DX2
SINGLE- OR DOUBLE-ENDED LINE VOLTAGE LED TUBES

KT-LED15T8-48GC-8XX-DX2 /G2

T8 LED LAMP

PHYSICAL SPECIFICATIONS

LAMP DIMENSIONS

	A (Illuminated Length)	42.63"
	B (Body Length)	47.15"
	C (Diameter)	1.02"

NOMINAL LENGTH: 48" BASE TYPE: G13 (Medium Bi-Pin)

ORDERING INFORMATION

ORDER CODE	PACK QTY.	UPC	EASY CODE	DLC PRODUCT ID
KT-LED15T8-48GC-830-DX2 /G2	25	843654150055	RGG-26	S-0BA9TI
KT-LED15T8-48GC-835-DX2 /G2	25	843654150062	WBP-71	S-IXHKZQ
KT-LED15T8-48GC-840-DX2 /G2	25	843654150079	LNS-41	S-5KGCNW
KT-LED15T8-48GC-850-DX2 /G2	25	843654150086	AHE-88	S-MP38GC
KT-LED15T8-48GC-865-DX2 /G2	25	843654150093	QLB-60	S-MPU2NS

CATALOG NUMBER BREAKDOWN

KT-LED15T8-48GC-8XX-DX2 /G2

1 2 3 4 5 6 7 8 9 10

- 1 Keystone Technologies
- 2 LED Lamp
- 3 Wattage
- 4 Lamp Type
- 5 Nominal Length (inches)
- 6 Glass Coated
- 7 80 CRI
- 8 Color Temp.
- 9 Single or Double-Ended Wiring
- 10 Second Generation