



KT-LED25T5HO-48GC-8CSJ-DX2

T5 LED LAMP

DESCRIPTION

25W T5 LED | 3000/3500/4000/5000/6500K | > 80 CRI | High-Efficiency | Single- or Double-Ended Wiring | Color Select



LAMP TYPE: Linear
BULB TYPE: T5 LED
BASE TYPE: G5 (Miniature Bi-Pin)
WATTAGE: 25W
COLOR TEMPERATURE: 3000/3500/4000/5000/6500K
COLOR RENDERING INDEX (CRI): > 80
WARRANTY: 5 Years



PRODUCT FEATURES

- Replacement for Conventional Fluorescent Lamps
- Bypass Ballast Application: 120-277 Line Voltage Wired Single- or Double-Ended
- Keystone Color Select Technology (3000/3500/4000/5000/6500K)
- Frosted Lens Provides Diffuse Distribution and Eliminates Pixelation
- Environmentally Friendly: No Mercury Used
- UL Classified; Listed on DLC Qualified Products List
- Suitable for Dry and Damp Locations
- Operating Temperature: -20°C / -4°F to 45°C / 113°F
- 50,000+ Hour Lifetime
- Meets FCC, Part 15 Class B Standards
- NSF Listed: NSF/ANSI Standard 2 - Food Equipment
- Lamp is Dimmable When Used with an Appropriate Dimming Accessory (Purchased Separately)

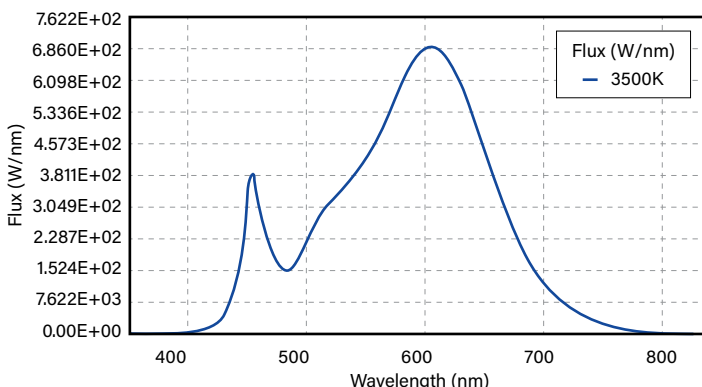
ELECTRICAL AND PERFORMANCE SPECIFICATIONS

Catalog Number	Bare Lamp Wattage	System Wattage*	Color Temperature (CCT)	Initial Lumens*	Nominal Bare Lamp Efficacy	Nominal System Efficacy	CRI	Power Factor	Max. THD
KT-LED25T5HO-48GC-8CSJ-DX2	25W	27.5W	3000K	3300	132 lm/W	120 lm/W	80	>0.9	25%
			3500K	3300	132 lm/W	120 lm/W			
			4000K	3500	140 lm/W	127 lm/W			
			5000K	3500	140 lm/W	127 lm/W			
			6500K	3500	140 lm/W	127 lm/W			

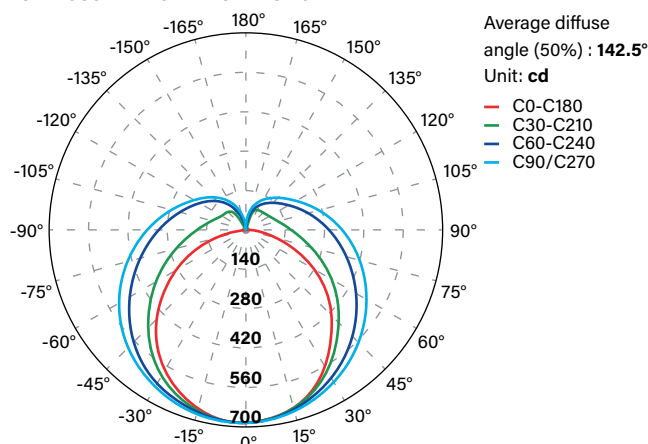
* Nominal values. Actual values may vary depending on electronic ballast used.

PHOTOMETRIC SPECIFICATIONS

SPECTRAL DISTRIBUTION



LUMINOUS INTENSITY DISTRIBUTION

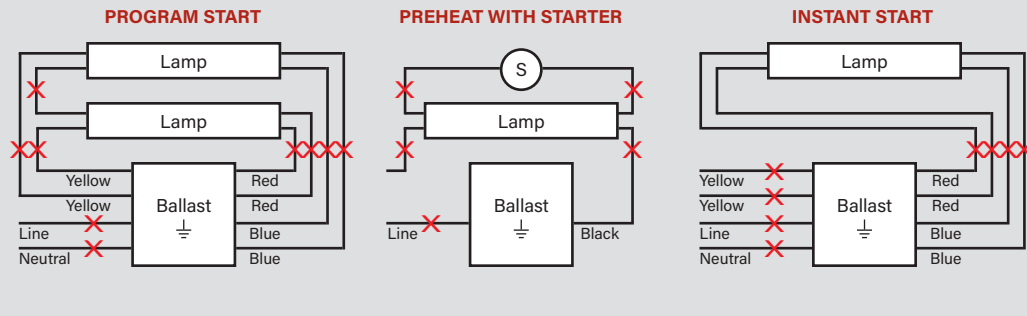


KT-LED25T5HO-48GC-8CSJ-DX2 T5 LED LAMP

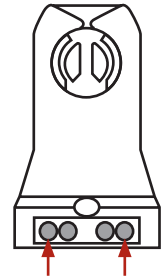
SINGLE-ENDED WIRING DIAGRAM

1. Cut all existing connections to ballast as shown below and remove ballast. *Figure A* for typical ballast configurations. **Note: Single-ended wiring requires non-shunted lampholders.**

FIGURE A TYPICAL BALLAST CONFIGURATIONS



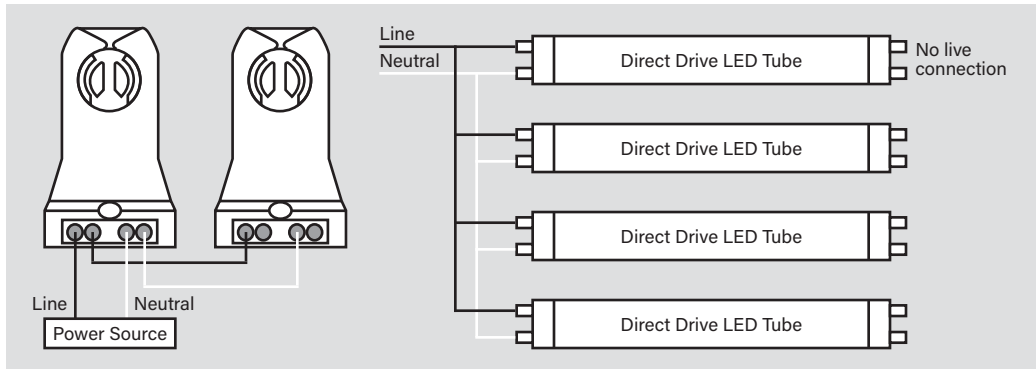
TYPICAL NON-SHUNTED LAMPHOLDER



Connect wires directly to these terminals

CAUTION: FOR SINGLE-ENDED WIRING USE ONLY NON-SHUNTED LAMPHOLDERS.

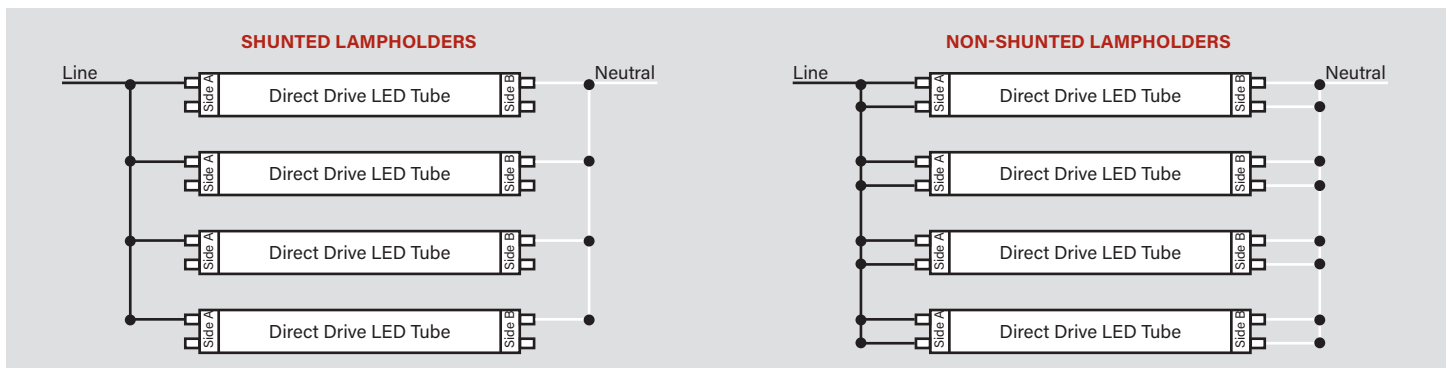
2. Rewire fixture as shown below.



For Single-ended wiring, do not install product in a fixture with shunted lampholders (found in all fixtures using instant start ballasts). If the current lampholders are shunted, remove them and replace them with non-shunted lampholders. Make new connections directly to terminals as indicated above. Keystone can provide any style replacement lampholders. Call us at 800-464-2680.

DOUBLE-ENDED WIRING DIAGRAM

1. Cut all existing connections to ballast as shown below and remove ballast. See *Figure A* above for typical ballast configurations.
2. Re-wire fixture as shown below. For double-ended wiring, use either shunted or nonshunted lampholders.
NOTE: There should not be any exposed wires at the end of installation.

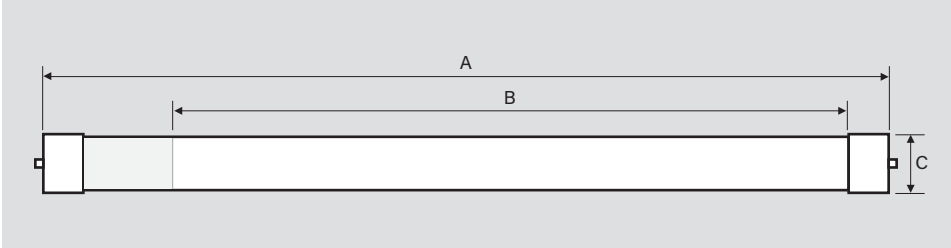




KT-LED25T5HO-48GC-8CSJ-DX2

T5 LED LAMP

PHYSICAL SPECIFICATIONS



LAMP DIMENSIONS

A (Body Length)	45.24"
B (Illuminated Length)	37.87"
C (Diameter)*	0.81"

NOMINAL LENGTH: 48"

BASE TYPE: G5 (Miniature Bi-Pin)

**Though nominally referred to as a T5, this lamp has a T6 diameter.*

ORDERING INFORMATION

ORDER CODE	PACK QTY.	EASY CODE	UPC	DLC PRODUCT ID
KT-LED25T5HO-48GC-8CSJ-DX2	25 pcs	OQT-20	843654167329	S-8BFB69

CATALOG NUMBER BREAKDOWN

KT-LED25T5HO-48GC-8CSJ-DX2

- 1
- 2
- 3
- 4
- 5
- 6
- 7
- 8
- 9
- 10

- 1 Keystone Technologies
- 2 LED Lamp
- 3 Wattage
- 4 Lamp Type
- 5 Nominal Length (Inches)
- 6 Shatter-Proof Coated Glass
- 7 80 CRI
- 8 Color Select
- 9 Color Select Designation
- 10 Single- or Double-Ended Wiring

9 Color Select Designation

J 3000/3500/4000/5000/6500K