



KT-LED35A25-O-E26-8XX-DIM /G2

300W REPLACEMENT LAMP

DESCRIPTION

36W Commercial A25/PS30 Lamp | 3000–5000K | > 80 CRI | Omni-Directional

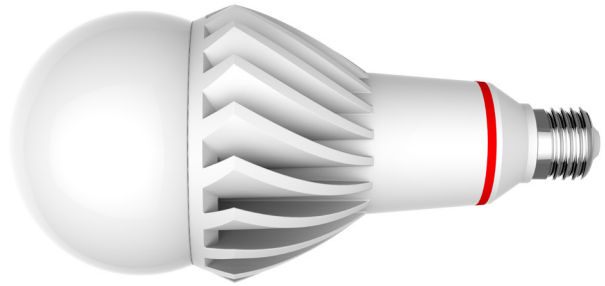


RoHS
Compliant



5 YEAR
WARRANTY

LAMP TYPE: A25/PS30
BASE TYPE: E26 (Medium)
WATTAGE: 36W
COLOR TEMPERATURE: 3000–5000K
COLOR RENDERING INDEX (CRI): > 80
WARRANTY: 5 Years



PRODUCT FEATURES

- Up to 75% energy saving compared to legacy equivalent lamps
- Can be used in base-up, base-down, or base-horizontal position
- Large metal heatsink for optimal heat dissipation
- THD < 20%
- PF > 0.90
- Operating temperature range –4°F/–20°C to 113°F/45°C; 95°F/35°C max for fully enclosed fixture
- Ideal for post top, bollards, and outdoor corridor lighting
- Suitable for dry and damp location
- Rated for open and enclosed fixtures
- Meets UL 1993 standards

PERFORMANCE SPECIFICATIONS

Keystone Catalog Number	Lamp Wattage	CCT	Lumens	Efficacy	Input Voltage	Legacy Equivalent Wattage	Base Type	Dimmable*	Light Distribution	CRI
KT-LED35A25-O-E26-830-DIM /G2	36W	3000K	5000	139 lm/W	120-277V	300W incand./ 150W HID	E26	Yes	330°	> 80
KT-LED35A25-O-E26-840-DIM /G2	36W	4000K	5000	139 lm/W	120-277V	300W incand./ 150W HID	E26	Yes	330°	> 80
KT-LED35A25-O-E26-850-DIM /G2	36W	5000K	5000	139 lm/W	120-277V	300W incand./ 150W HID	E26	Yes	330°	> 80

*Note: Lamp is TRIAC dimmable only at 120v.

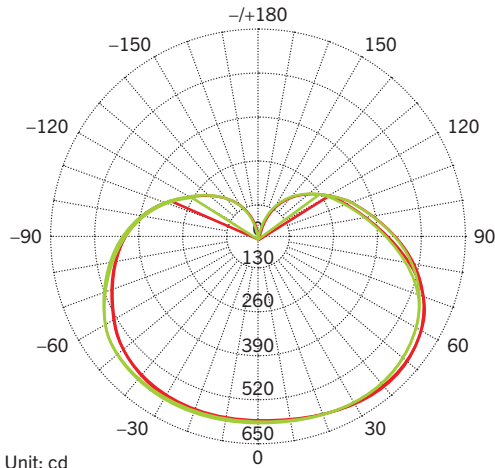


KT-LED35A25-O-E26-8XX-DIM /G2

300W REPLACEMENT LAMP

PHOTOMETRIC SPECIFICATIONS

POLAR CANDELA DISTRIBUTION

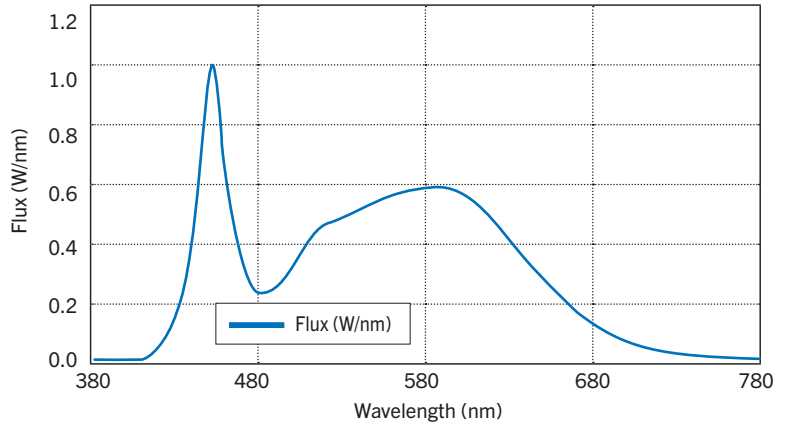


Unit: cd

— C0 / 180,235.7

— C90 / 270,245.4

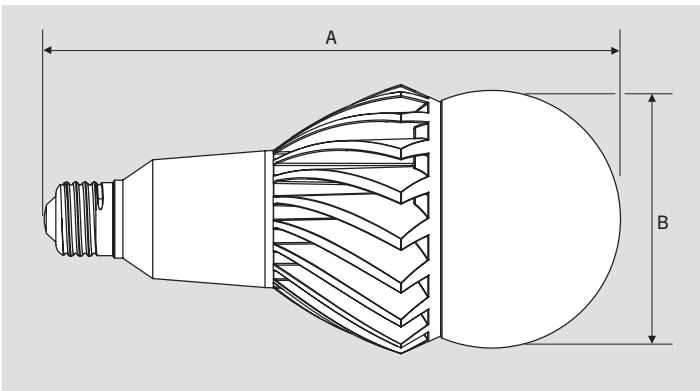
SPECTRAL DISTRIBUTION



RATED LIFE

L70 (Hours)	50,000
-------------	--------

PHYSICAL SPECIFICATIONS



LAMP DIMENSIONS

A (Length)	7.99"
B (Diameter)	3.74"

BASE TYPE: E26 (Medium) or EX39 (Mogul)

PACKAGING

Carton Quantity	12 pcs
Carton Dimensions	16.22" x 12.17" x 8.74"
Carton Weight	17 lbs



KT-LED35A25-O-E26-8XX-DIM /G2

300W REPLACEMENT LAMP

ORDERING INFORMATION

ORDER CODE	PACK QTY.	UPC	EASY CODE
KT-LED35A25-O-E26-830-DIM /G2	6 pcs	843654149561	MHC-80
KT-LED35A25-O-E26-840-DIM /G2	6 pcs	843654149578	FVQ-80
KT-LED35A25-O-E26-850-DIM /G2	6 pcs	843654149585	OHY-46

CATALOG NUMBER BREAKDOWN

KT-LED35A25-O-E26-8XX-DIM /G2

1 2 3 4 5 6 7 8 9 10

- 1 Keystone Technologies
- 2 LED Lamp
- 3 Wattage
- 4 Lamp Style
- 5 Omnidirectional
- 6 Base Type
- 7 80 CRI
- 8 CCT
- 9 Dimming
- 10 Second Generation