



# KT-LED7T8-18GC-840-DX2

## T8 LED LAMP

### DESCRIPTION

7W T8 LED | 4000K | >83 CRI | High Efficiency  
Single or Double-ended Wiring



**10 YEAR**  
LIMITED WARRANTY

<b>LAMP TYPE:</b> Linear
<b>BULB TYPE:</b> T8 LED
<b>BASE TYPE:</b> G13 (Medium Bi-Pin)
<b>WATTAGE:</b> 7W
<b>COLOR TEMPERATURE:</b> 4000K
<b>COLOR RENDERING INDEX (CRI):</b> >83
<b>WARRANTY:</b> 10 Years



### PRODUCT FEATURES

- Replacement for Conventional Fluorescent Lamp
- 50,000+ Hour Lifetime
- Environmentally Friendly: No Mercury Used
- Instant Startup
- Frosted Lens Eliminates Pixelation
- UL Classified

- Operating Temperature: -20°C/-4°F to 45°C/113°F
- Integral Driver (Isolated), Eliminates the Need for External Driver or Ballast
- 100+ Lumens per Watt
- Improved Lamp Durability with Shatterproof Coated Glass

### OPERATING SPECIFICATIONS

#### ELECTRICAL SPECIFICATIONS

Input Voltage	Power Consumption	Power Factor	THD	Input Current
120-277Vac	7W	>0.9	<20%	0.06A @ 120V 0.03A @ 277V

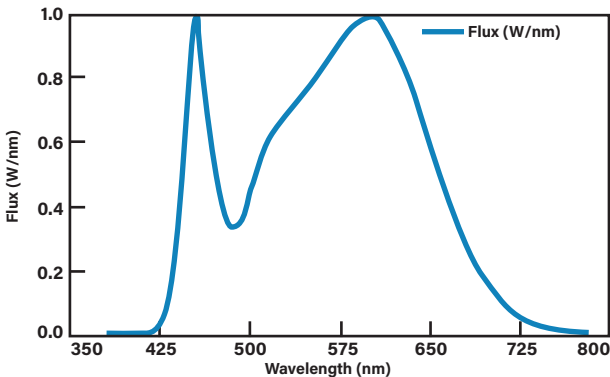
#### PHOTOMETRIC SPECIFICATIONS

Color Temperature (CCT)	4000K
Luminous Flux	750 lm
Color Rendering Index (CRI)	>83
Efficacy	107 lm/W
Beam Angle	240°
Visible Light Area	325°

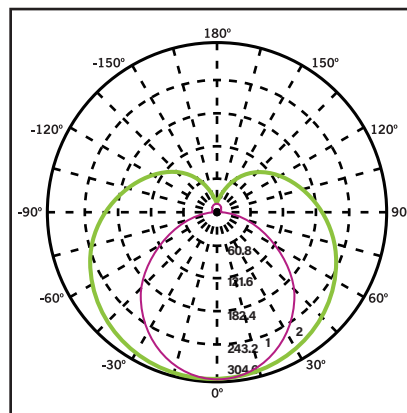
#### RATED LIFE

L70 (Hours)	50,000
-------------	--------

#### SPECTRAL DISTRIBUTION



#### POLAR CANDELA DISTRIBUTION



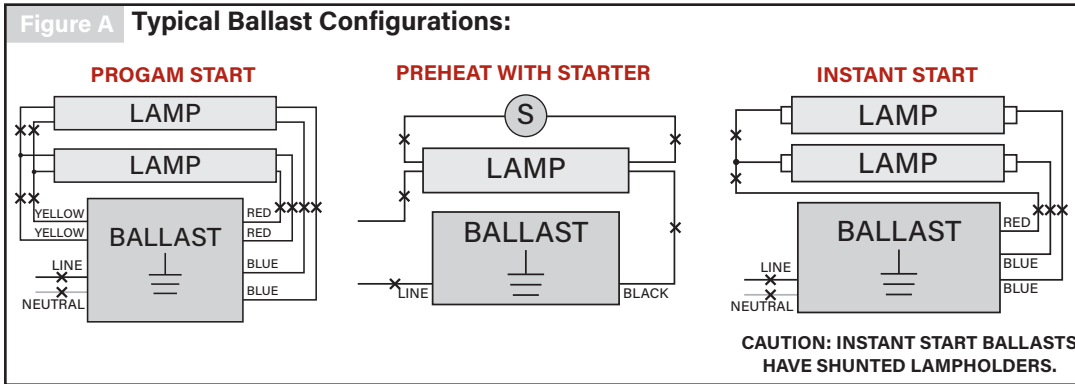
**Maximum Candela = 1248.55**  
Located at Horizontal Angle = 0,  
Vertical Angle 0

1. Violet Vertical Plane through Horizontal Angles (90-270)
2. Green Vertical Plane through Horizontal Angles (0-180)

**KT-LED7T8-18GC-840-DX2**  
T8 LED LAMP

**SINGLE-ENDED WIRING DIAGRAM**

1. Cut all existing connections to ballast as shown below and remove ballast. See Figure A for typical ballast configurations. **Note: Single-ended wiring requires non-shunted lampholders.**



**Typical Non-Shunted Lampholder**

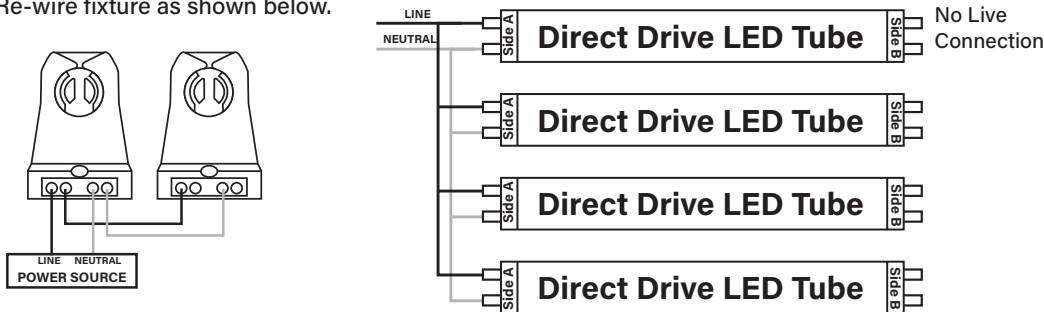
Connect wires directly to these terminals

**CAUTION: For Single-ended wiring use only non-shunted lampholders.**

For Single-ended wiring, do not install product in a fixture with shunted lampholders (found in all fixtures using instant start ballasts). If the current lampholders are shunted, remove them and replace them with non-shunted lampholders. Make new connections directly to terminals as indicated above.

Keystone can provide any style replacement lampholders.  
Call us at 800-464-2680.

2. Re-wire fixture as shown below.



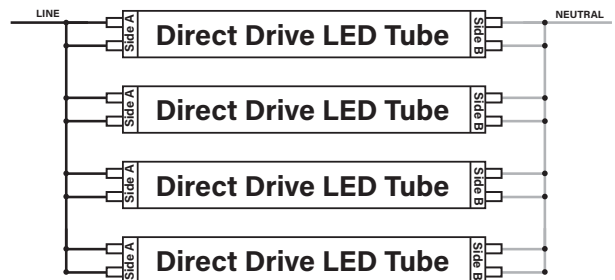
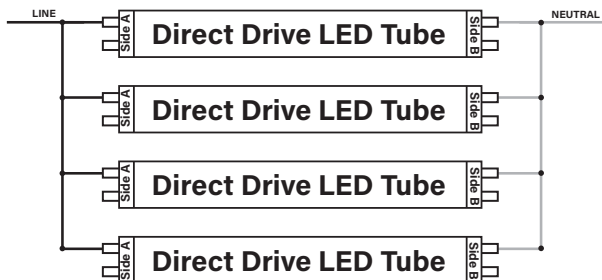
**DOUBLE-ENDED WIRING DIAGRAM**

1. Cut all existing connections to ballast as shown below and remove ballast. See Figure A above for typical ballast configurations.

2. Re-wire fixture as shown below. For Double-ended wiring, use either shunted or nonshunted lampholders. **Note: There should not be any exposed wires at the end of installation.**

Shunted Lampholders

Nonshunted Lampholders





**DIRECT DRIVE DX2**  
SINGLE- OR DOUBLE-ENDED LINE VOLTAGE LED TUBES

# KT-LED7T8-18GC-840-DX2

## T8 LED LAMP

### PHYSICAL SPECIFICATIONS

#### LAMP DIMENSIONS

	<b>A (Illuminated Length)</b>	14.24"
	<b>B (Body Length)</b>	17.12"
	<b>C (Diameter)</b>	1.10"

NOMINAL LENGTH: 18" BASE TYPE: G13 (Medium Bi-Pin)

### ORDERING INFORMATION

ORDER CODE	PACK QTY.	UPC	EASY CODE
KT-LED7T8-18GC-840-DX2	25	843654133386	DRS-93

### CATALOG NUMBER BREAKDOWN

# KT-LED7T8-18GC-840-DX2

1 2 3 4 5 6 7 8 9

- 1 Keystone Technologies
- 2 LED Lamp
- 3 Wattage
- 4 Lamp Type
- 5 Nominal Length (Inches)
- 6 Shatter-Proof Coated Glass
- 7 80 CRI
- 8 Color Temperature
- 9 DirectDrive Single or Double Ended Wiring