

KTEB-126-1-TP-LC	
Ballast Type	Electronic
Starting Method	Rapid Start
Lamp Connection	--
Input Voltage	120Vac ± 10%
Input Frequency	60Hz

ELECTRICAL SPECIFICATIONS:

Lamp Type	No. of Lamp	Input Watts	Input Current (Amps)	Power Factor	Crest Factor	Ballast Factor	Ballast Efficacy Factor	Max. THD %
CFQ26WG24q	1	24	0.40	0.54	< 1.7	0.90	3.75	150
CFS28W/GR10q	1	26	0.40	0.58	< 1.7	0.90	3.46	130
F32T8	1	32	0.45	0.59	< 1.7	0.95	2.97	130
F25T8	1	25	0.37	0.57	< 1.7	0.95	3.80	130
F19T5 (28" or 30")	1	18	0.29	0.52	< 1.7	1.00	5.56	150
F18T5 (24" or 26")	1	17	0.27	0.52	< 1.7	1.00	5.88	160
F17T8	1	18	0.27	0.54	< 1.7	1.0	5.55	150
F15T8	1	16	0.26	0.52	< 1.7	1.0	6.25	150
F13T8	1	16	0.26	0.51	< 1.7	1.10	6.88	160
FC9T5	1	23	0.35	0.55	< 1.7	1.05	4.57	140

PERFORMANCE:

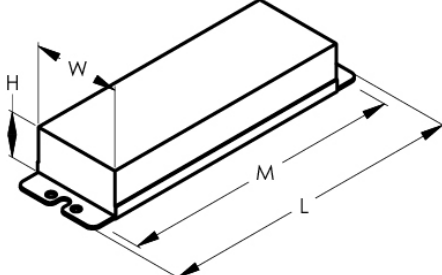
- Sound Rated: A
- Minimum Starting Temperature: 0°F, -18°C
- Maximum Case Temperature: 167°F, 75°C
- Meets FCC Part 18 (Class B) Consumer Limits
- Transient Protection meets ANSI/IEEE C62.41 Cat. A
- Lamp end-of-life protected
- Ballast frequency for all listed lamps: 20KHz-33KHz
- 3-Year Warranty

APPROVALS:

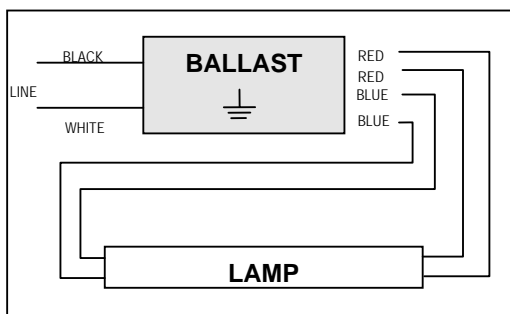
- UL & CSA listed.

PHYSICAL DIMENSIONS:

Length (L):	6.46"
Width (W):	1.89"
Height (H):	1.15"
Mounting (M)	6.00"
Lead Length:	
White, Black	20"
Blue	32"
Red	48"



WIRING DIAGRAM:



HOT SPOT LOCATION:

