



KTEB-454HO-UV-PS

T5HO ELECTRONIC BALLAST

Version A4

DESCRIPTION

4 x F54T5HO | 120-277 Multi-Voltage | High Power Factor | Program Start | 90°C Rated



STARTING METHOD: Program Start
LAMP CONNECTION: Series
INPUT VOLTAGE: 120-277Vac ±10%
INPUT FREQUENCY: 50/60 Hz
POWER FACTOR: High
WARRANTY: 5 Years



PRODUCT FEATURES

- 2014 DOE Compliant
- Sound Rated: A
- Minimum Starting Temperature: -20°F, -29°C
- Maximum Case Temperature: 194°F, 90°C
- Meets FCC Part 18 (Class A) Non-Consumer Limits
- Meets ANSI Standard C82.11 and C62.41
- Output Voltage: 400V
- Voltage to Ground: 360V
- UL, cUL Listed Class P, Type 1 Outdoor
- Lamp End-of-Life Protected
- Type HL, Type CC

PRODUCT SPECIFICATIONS

LAMP TYPE	NO. OF LAMPS	INPUT VOLTS	INPUT WATTS	NOMINAL LINE AMPS	POWER FACTOR	BALLAST FACTOR	BALLAST EFFICACY FACTOR	MAX THD	CREST FACTOR	WIRING DIAGRAM
F54T5HO	4	120V	240	1.93	>0.90	1.00	0.42	<10%	<1.70	4 Lamp
		277V	235	0.83	>0.90	1.00	0.43	<10%	<1.70	4 Lamp
	3	120V	184	1.42	>0.90	1.02	0.55	<10%	<1.70	3 Lamp
		277V	182	0.61	>0.90	1.02	0.56	<10%	<1.70	3 Lamp
	2	120V	122	1.02	>0.90	1.00	0.82	<10%	<1.70	2 Lamp
		277V	120	0.45	>0.90	1.00	0.83	<10%	<1.70	2 Lamp
1	120V	64	0.58	>0.90	1.02	1.59	<10%	<1.70	1 Lamp	
	277V	64	0.28	>0.90	1.02	1.59	<12%	<1.70	1 Lamp	
F54T5HO/ES (49W)	4	120V	215	1.83	>0.90	1.00	0.46	<10%	<1.70	4 Lamp
		277V	210	0.77	>0.90	1.00	0.47	<10%	<1.70	4 Lamp
	3	120V	162	0.37	>0.90	1.02	0.63	<10%	<1.70	3 Lamp
		277V	160	0.59	>0.90	1.02	0.64	<10%	<1.70	3 Lamp
	2	120V	107	0.90	>0.90	1.00	0.94	<10%	<1.70	2 Lamp
		277V	107	0.40	>0.90	1.00	0.94	<10%	<1.70	2 Lamp
1	120V	56	0.47	>0.90	1.02	1.82	<10%	<1.70	1 Lamp	
	277V	56	0.23	>0.90	1.02	1.82	<20%	<1.70	1 Lamp	
FT55W/2G11	4	120V	223	1.90	>0.90	0.85	0.38	<10%	<1.70	4 Lamp
		277V	217	0.80	>0.90	0.85	0.39	<10%	<1.70	4 Lamp
	3	120V	170	1.43	>0.90	0.87	0.51	<10%	<1.70	3 Lamp
		277V	168	0.62	>0.90	0.87	0.52	<10%	<1.70	3 Lamp
	2	120V	113	0.95	>0.90	0.85	0.75	<10%	<1.70	2 Lamp
		277V	113	0.42	>0.90	0.85	0.75	<10%	<1.70	2 Lamp
1	120V	60	0.50	>0.90	0.87	1.45	<10%	<1.70	1 Lamp	
	277V	60	0.24	>0.90	0.87	1.45	<15%	<1.70	1 Lamp	

(Product Specifications continued on next page)



KTEB-454HO-UV-PS

T5HO ELECTRONIC BALLAST

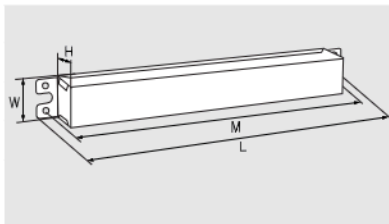
Version A4

PRODUCT SPECIFICATIONS

LAMP TYPE	NO. OF LAMPS	INPUT VOLTS	INPUT WATTS	NOMINAL LINE AMPS	POWER FACTOR	BALLAST FACTOR	BALLAST EFFICACY FACTOR	MAX THD	CREST FACTOR	WIRING DIAGRAM
FT50W/2G11	4	120V	240	2.00	>0.90	1.08	0.45	<10%	<1.70	4 Lamp
		277V	235	0.85	>0.90	1.08	0.46	<10%	<1.70	4 Lamp
	3	120V	182	1.52	>0.90	1.10	0.60	<10%	<1.70	3 Lamp
		277V	179	0.66	>0.90	1.10	0.61	<10%	<1.70	3 Lamp
	2	120V	120	1.00	>0.90	1.08	0.90	<10%	<1.70	2 Lamp
		277V	119	0.44	>0.90	1.08	0.91	<10%	<1.70	2 Lamp
1	120V	63	0.53	>0.90	1.10	1.75	<10%	<1.70	1 Lamp	
	277V	63	0.25	>0.90	1.10	1.75	<15%	<1.70	1 Lamp	
FT36W/2G11	4	120V	165	1.39	>0.90	1.08	0.66	<10%	<1.70	4 Lamp
		277V	165	0.61	>0.90	1.08	0.66	<10%	<1.70	4 Lamp
	3	120V	126	1.06	>0.90	1.10	0.87	<10%	<1.70	3 Lamp
		277V	126	0.47	>0.90	1.10	0.87	<10%	<1.70	3 Lamp
	2	120V	86	0.72	>0.90	1.08	1.26	<10%	<1.70	2 Lamp
		277V	86	0.33	>0.90	1.08	1.26	<12%	<1.70	2 Lamp
F58T8	4	120V	221	1.89	>0.90	1.03	0.47	<10%	<1.70	4 Lamp
		277V	217	0.80	>0.90	1.03	0.48	<10%	<1.70	4 Lamp
	3	120V	167	1.40	>0.90	1.05	0.63	<10%	<1.70	3 Lamp
		277V	164	0.60	>0.90	1.05	0.64	<10%	<1.70	3 Lamp
	2	120V	110	0.93	>0.90	1.03	0.94	<10%	<1.70	2 Lamp
		277V	110	0.41	>0.90	1.03	0.94	<10%	<1.70	2 Lamp
1	120V	57	0.48	>0.90	1.05	1.84	<10%	<1.70	1 Lamp	
	277V	57	0.23	>0.90	1.05	1.84	<20%	<1.70	1 Lamp	

PHYSICAL SPECIFICATIONS

CASE DIMENSIONS



LENGTH	16.70"
WIDTH	1.70"
HEIGHT	1.18"
MOUNTING	16.09"
CASE STYLE	L10

STANDARD LEAD LENGTHS*

BLACK	25"
WHITE	25"
BLACK/WHITE	25"
BLUE	25"
BLUE/WHITE	25"
RED	25"
BROWN	25"
YELLOW	25"
ORANGE	25"

Lead wires are 18 AWG 105 C/600V, solid copper.

CASE MATERIAL: Steel

*Consult Keystone for special lead length requirements.



KTEB-454HO-UV-PS

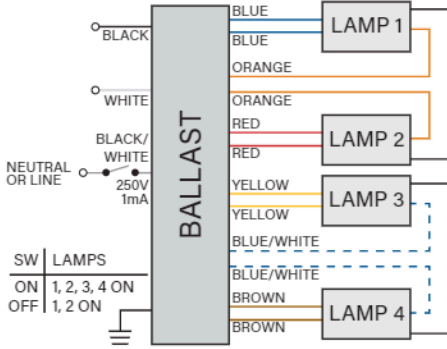
T5HO ELECTRONIC BALLAST

Version A4

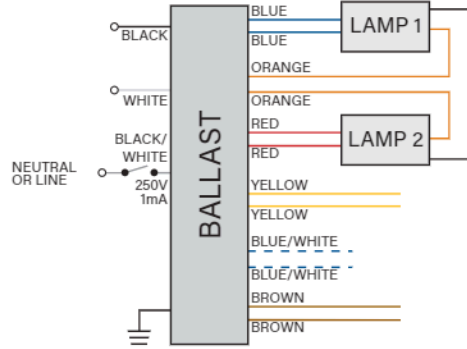
WIRING DIAGRAM

CURRENT MANUFACTURING REVISION - A4

4 Lamp Application

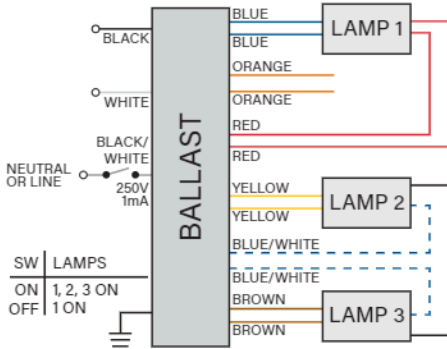


2 Lamp Application



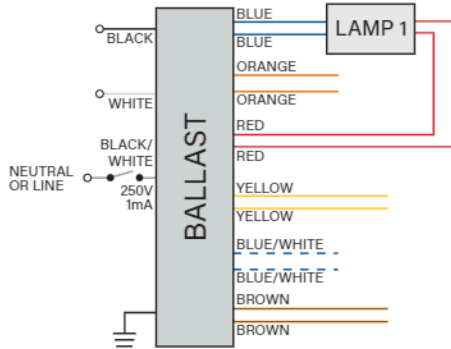
For 2 Lamp Application, Cap Blue/White, Black/White, Yellow, and Brown Leads Insulate to 600V.

3 Lamp Application



For 3 Lamp Application, Cap Orange Leads Insulate to 600V

1 Lamp Application



For 1 Lamp Application, Cap All Leads except Blue, Red, White, and Black Insulate to 600V.

(Wiring Diagram continued on next page)



KTEB-454HO-UV-PS

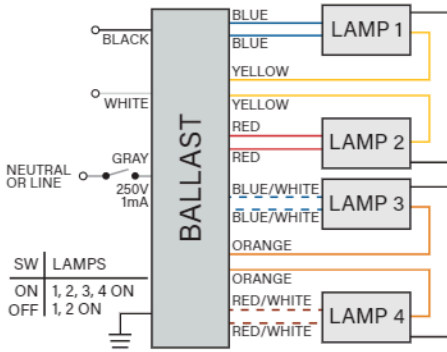
T5HO ELECTRONIC BALLAST

Version A4

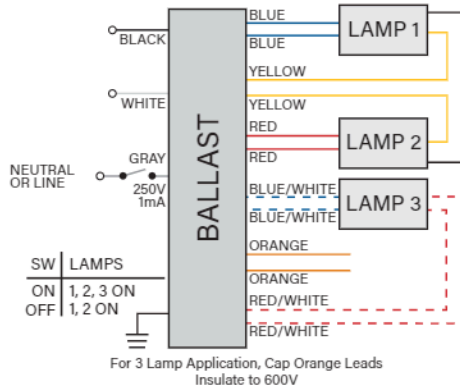
WIRING DIAGRAM (CONTINUED)

PREVIOUS MANUFACTURING REVISION - D3

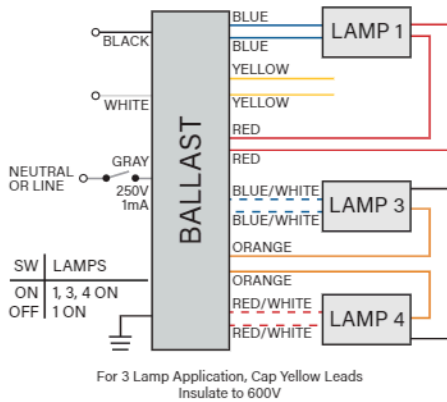
4 Lamp Application



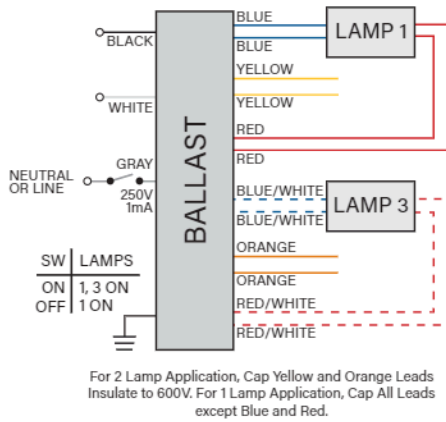
3 Lamp Application



3 Lamp Application



2 Lamp Application



ORDERING INFORMATION

ORDER CODE	PACKAGING STYLE	PACK QTY.	ITEM STATUS
KTEB-454HO-UV-PS-CP	Carton Pack	8	Quick Ship
KTEB-454HO-UV-PS-DP	Distributor Pack	8	Quick Ship

NOTE: Version A4 (Manufacturing Revision). Prior versions of this ballast exist. Spec sheets for prior versions available upon request. Contact Keystone for details.

CATALOG NUMBER BREAKDOWN

KTEB-454HO-UV-PS-CP

- 1
- 2
- 3
- 4
- 5
- 6
- 7
- 8

- 1 Keystone Technologies
- 5 High Output
- 2 Electronic Ballast
- 6 Universal Voltage
- 3 4 Lamp
- 7 Program Start
- 4 Max Wattage
- 8 Packaging Style