



KTLD-10-1-XXX-FDIM-AF1

LED DRIVER



Constant current LED driver
Total power: 10W (7W for KTLD-10-1-200-FDIM-AF1)
Input voltage: 120Vac \pm 10%
Number of outputs: One
UL Listed, Class P
IP20 design for dry and damp location
Dimmable with leading / trailing edge dimmer
5 year warranty

ELECTRICAL SPECIFICATIONS

Input voltage range:	120Vac \pm 10%
Frequency:	60Hz
Power factor:	> 0.9 under 120Vac input with 80~100% load condition (for all output voltage)
Inrush current:	20A @120V
Max input current:	0.12A @120V
THD:	< 20% under 120Vac input with 80~100% load condition (for all output voltage)
Load Regulation:	\pm 2%
Line Regulation:	\pm 1%
Voltage Tolerance:	\pm 5% at full load condition
Turn-on Delay Time:	< 0.75s at full load condition
Overshoot:	< 10% at full load condition
No Load Power Consumption:	< 1W
Ripple & Noise (pk-pk):	< 10%
Withstand voltage:	Input to output, 2,800Vdc, 2mA
Leakage current:	Maximum 0.5mA at 120Vac, 60Hz input
Protection:	Over voltage protection: Hiccup mode. Protection will trigger when load voltage exceed specified output voltage and will auto recover after the fault mode is removed. Over current protection: Hiccup mode. Protection will trigger when load current exceed specified output current and will auto recover after the fault mode is removed. Short circuit protection: Hiccup mode. Protection will trigger when short circuit and will auto recover after the fault mode is removed.

ENVIRONMENTAL SPECIFICATIONS

Operating temperature:	-40 to 60°C
Storage temperature:	-40 to 85°C
Humidity:	5% to 95%
MTBF:	570,000 hours at 40°C ambient (~70°C Case temp)
Life rating:	80,000 hours at 120Vac input, 100% load and 60°C case temperature
Maximum case Temperature :	90°C

SAFETY AND EMC COMPLIANCE

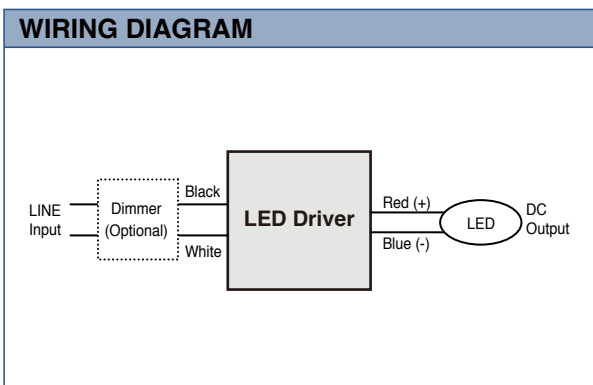
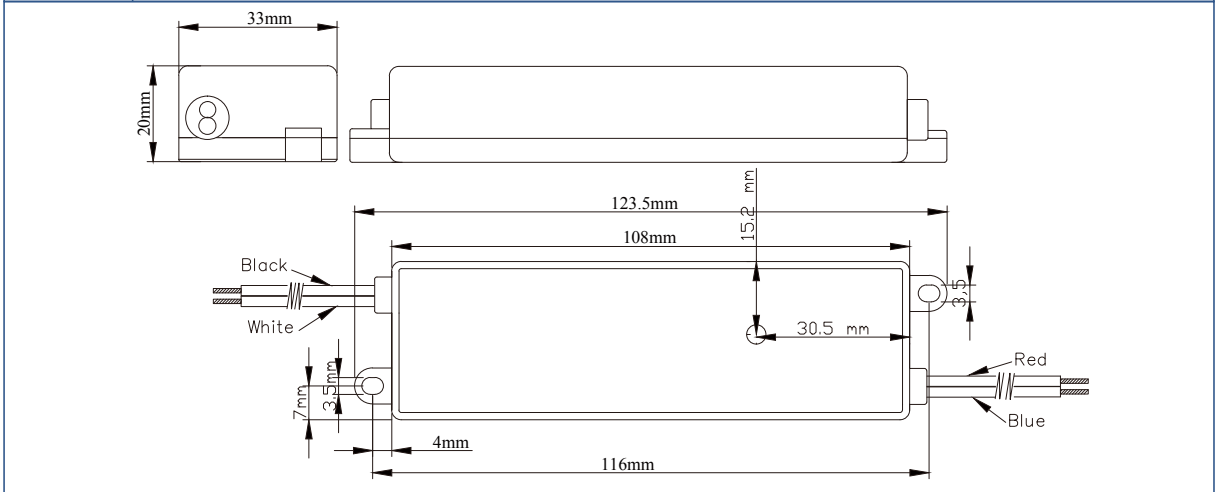
UL/cUL	UL Listed, Class P
CE	EN61347-1, EN61347-2-13
FCC, 47CFR Part 15	ANSI C63.4:2009 Class B (Consumer Limit)
EN61000-3-2	Harmonic Current Emissions Class C

PRODUCT SPECIFICATIONS								
Model Number	Max output power	Output Current	Output Voltage	OCV	Efficiency at 120V (Typ.)	Remote mounting distance (#18 AWG)	Class 2	
							US	Canada
KTLD-10-1-200-FDIM-AF1	7W	200mA	10-35V	50V	70%	187 ft	✓	✓
KTLD-10-1-300-FDIM-AF1	10W	300mA	10-33V	46V	75%	124 ft	✓	✓
KTLD-10-1-400-FDIM-AF1	10W	400mA	10-25V	38V	75%	93 ft	✓	✓
KTLD-10-1-500-FDIM-AF1	10W	500mA	10-20V	31V	75%	74 ft	✓	✓
KTLD-10-1-600-FDIM-AF1	10W	600mA	8-17V	28V	75%	62 ft	✓	✓
KTLD-10-1-700-FDIM-AF1	10W	700mA	7-14V	25V	75%	53 ft	✓	✓

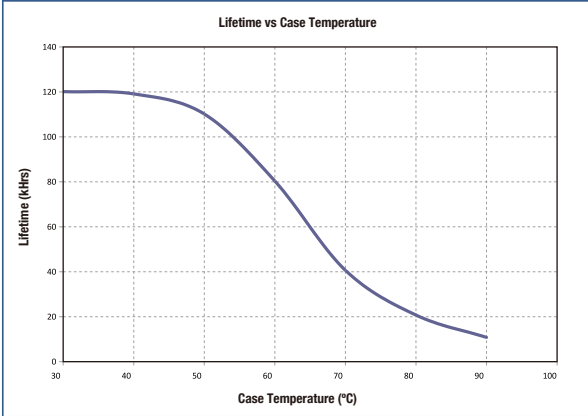
PHYSICAL DIMENSIONS	
Length (L):	4.86" (123.5mm)
Width (W):	1.30" (33mm)
Height (H):	0.79" (21mm)
Mounting (M):	4.57" (116mm)

PACKAGING	
0.1kg / unit ; 40pcs / carton ; 3,120pcs / pallet	
Carton size:	330 x 200 x 135 mm
Carton weight:	4.5 kg
Case Material:	Plastic

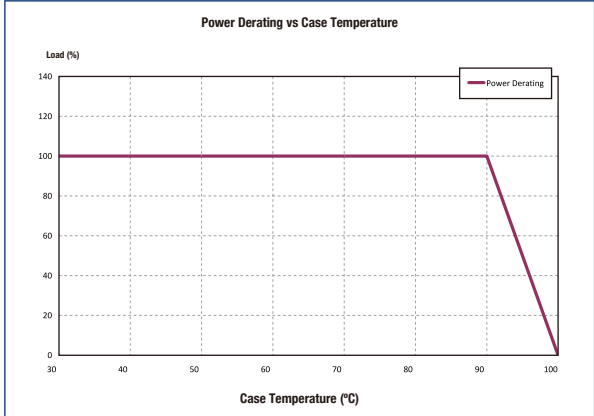
WIRE SPECIFICATIONS	
Input:	12", UL 1316 #18AWG (Black and White)
Output:	12", UL 1316 #18AWG (Red and Blue)



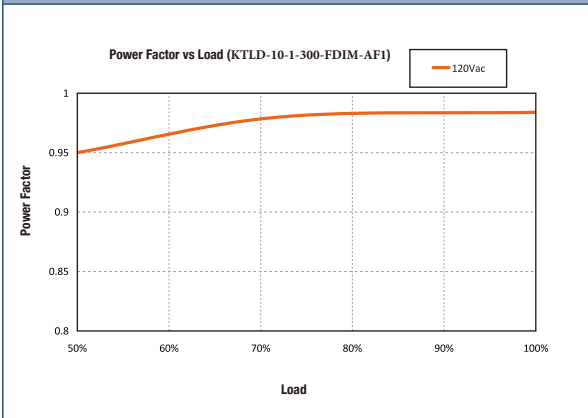
LIFETIME vs CASE TEMPERATURE



POWER DERATING vs CASE TEMPERATURE



POWER FACTOR vs LOAD



EFFICIENCY vs LOAD

