



KTLD-14-UV-XXX-VDIM-L7
Constant current LED driver
Total power: 14W
Input voltage: 120~277Vac ± 10%
Number of outputs: One
UL 8750
IP20 design for dry and damp location
Dimmable with 0-10V dimmer
5 year warranty

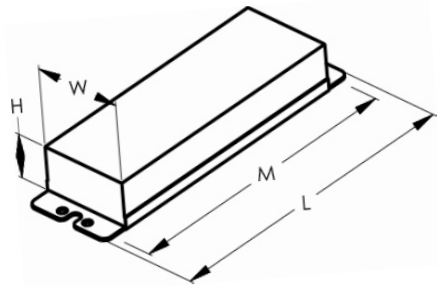
ELECTRICAL SPECIFICATIONS:		ENVIRONMENTAL SPECIFICATIONS:	
Input voltage range:	120~277Vac ± 10%	Operating temperature:	-30 to 60°C
Frequency:	50/60Hz	Storage temperature:	-40 to 85°C
Power factor:	>0.9 @full load, 120V through 277V	Humidity:	5% to 95%
Inrush current:	7A @230V	MTBF:	510,000 hours at 40°C ambient (~70°C Case temp)
Max input current:	0.15A @120V and 0.08A @ 277V	Maximum case Temperature	90°C
THD:	<20%		
Protection:	Over voltage, Over current and Short circuit		
Withstand voltage	I/P – O/P 2k Vac		

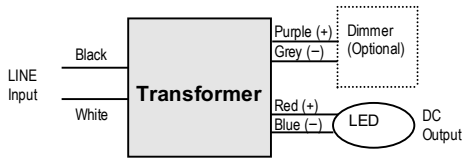
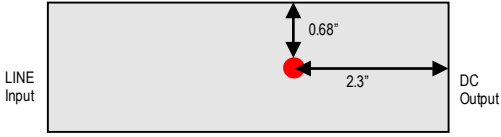
PRODUCT SPECIFICATIONS:							
Model Number	Max output power	Output Current	Output Voltage	Efficiency	Remote mounting distance (#18 AWG)	Class 2	
						US	Canada
KTLD-14-UV-260-VDIM-L7	14W	260mA	27 – 54V	82%	147 ft	√	
KTLD-14-UV-300-VDIM-L7	14W	300mA	23 – 47V	82%	128 ft	√	
KTLD-14-UV-350-VDIM-L7	14W	350mA	20 – 40V	82%	109 ft	√	√
KTLD-14-UV-380-VDIM-L7	14W	380mA	18 – 36V	82%	101 ft	√	√
KTLD-14-UV-400-VDIM-L7	14W	400mA	18 – 35V	82%	96 ft	√	√
KTLD-14-UV-450-VDIM-L7	14W	450mA	15 – 30V	82%	85 ft	√	√
KTLD-14-UV-500-VDIM-L7	14W	500mA	14 – 28V	82%	76 ft	√	√
KTLD-14-UV-600-VDIM-L7	14W	600mA	12 – 24V	82%	64 ft	√	√
KTLD-14-UV-700-VDIM-L7	14W	700mA	12 – 20V	82%	54 ft	√	√

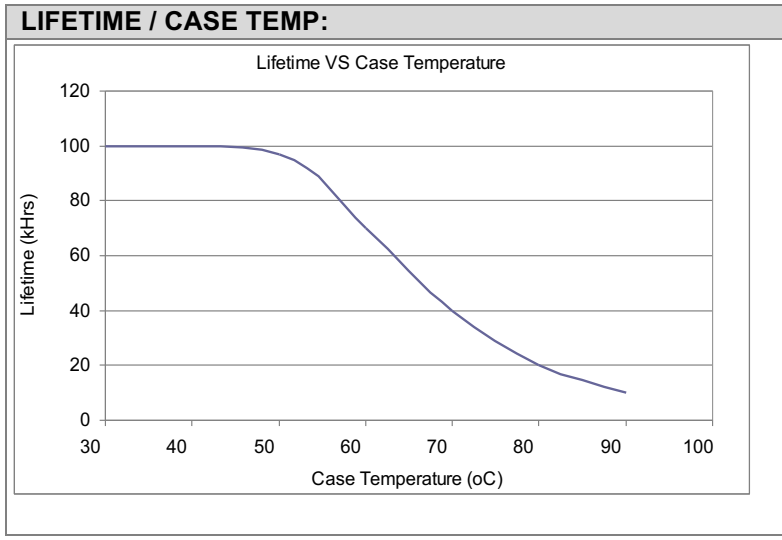
SAFETY AND EMC COMPLIANCE:	
UL/cUL	UL 8750
FCC, 47CFR Part 15	Class B Consumer Limit
EN61000-3-2	

PHYSICAL DIMENSIONS:	
Length (L):	6.46"
Width (W):	1.37"
Height (H):	1.00"
Mounting (M):	6.00"
Weight:	0.23 kg
WIRE SPECIFICATIONS:	
Input:	12", UL 1316 #18AWG (Black and White)

Keystone Technologies • 208 Progress Drive, Montgomeryville, PA 18936
 Phone (800) 464-2680 • Fax (888) 966-0556 • www.keystoneballast.com

Output:	12", UL 1316/1430 #22AWG (Red and Blue)	
Dimming:	12" UL 1316/1430 #22AWG (Purple and Grey)	

WIRING DIAGRAM:	HOTTEST SPOT LOCATIONS:
	



Keystone Technologies • 208 Progress Drive, Montgomeryville, PA 18936
 Phone (800) 464-2680 • Fax (888) 966-0556 • www.keystoneballast.com