



# KTLD-150-UV-A4200-56-VDIM-LW3 2900

## CONSTANT CURRENT LED DRIVER

### DESCRIPTION

LED Driver | 150W | 100-277V Input | 4200mA Output | 0-10V Dimming



<b>TOTAL POWER:</b> 150W	<b>LOCATION TYPE:</b> IP67
<b>INPUT VOLTAGE:</b> 100-277Vac ±10%	<b>OUTPUT CURRENT:</b> 4200mA
<b>INPUT FREQUENCY:</b> 50/60 Hz	<b>DIMMING:</b> 0-10V
<b>NUMBER OF OUTPUTS:</b> One	<b>WARRANTY:</b> 5 Years
<b>SAFETY COMPLIANCE:</b> UL 8750	<b>LIFETIME:</b> 50,000 Hours

### ELECTRICAL SPECIFICATIONS

Input Voltage Range	100~277Vac ± 10%
Frequency	50/60 Hz
Power Factor	> 0.9 under 100~277Vac input with 80~100% Load Condition (for all output voltage)
Inrush Current	100A @ 100V, 125A @220V, and 150A @ 277V
Max. Input Current	1.9A @100Vac, Full Load
THD	< 20% under 100~277Vac input with 80~100% Load Condition (for all output voltage)
Load Regulation	± 2%
Line Regulation	± 2%
Voltage Tolerance	± 5% at full load condition
Turn-On Delay Time	< 2s at full load condition
Overshoot	< 10% at full load condition
No Load Power Consumption	< 1.5W
Ripple and Noise (pk-pk)	< 3%
Withstand Voltage	Input to output, 2,800Vdc, 2mA
Leakage Current	Maximum 0.75mA at 277Vac, 60Hz input
Protection	<ul style="list-style-type: none"> <li>• <b>Over Voltage Protection:</b> Hiccup mode. Protection will trigger when load voltage exceeds specified output voltage and will auto recover after the fault mode is removed.</li> <li>• <b>Over Current Protection:</b> Hiccup mode. Protection will trigger when load current exceeds specified output current and will auto recover after the fault mode is removed.</li> <li>• <b>Short Circuit Protection:</b> Hiccup mode. Protection will trigger when short circuited and will auto recover after the fault mode is removed.</li> </ul>

### PRODUCT SPECIFICATIONS

Catalog Number	Max. Output Power	Output Current	Output Voltage	Typical Efficiency at 120V	Typical Efficiency at 220V	Typical Efficiency at 277V
KTLD-150-UV-A4200-56-VDIM-LW3 2900	150W	4200mA	22-56V	88%	92%	92%

### ENVIRONMENTAL SPECIFICATIONS

Operating Temperature	-40°C to 90°C / -40°F to 194°F
Storage Temperature	-40°C to 90°C / -40°F to 194°F
Humidity	10% to 90%
MTBF	198,200 hours at 220Vac, Full load, Ta=25°C / 77°F
Life Rating	TBD
Maximum Case Temperature	90°C / 194°F

### SAFETY AND EMC COMPLIANCE

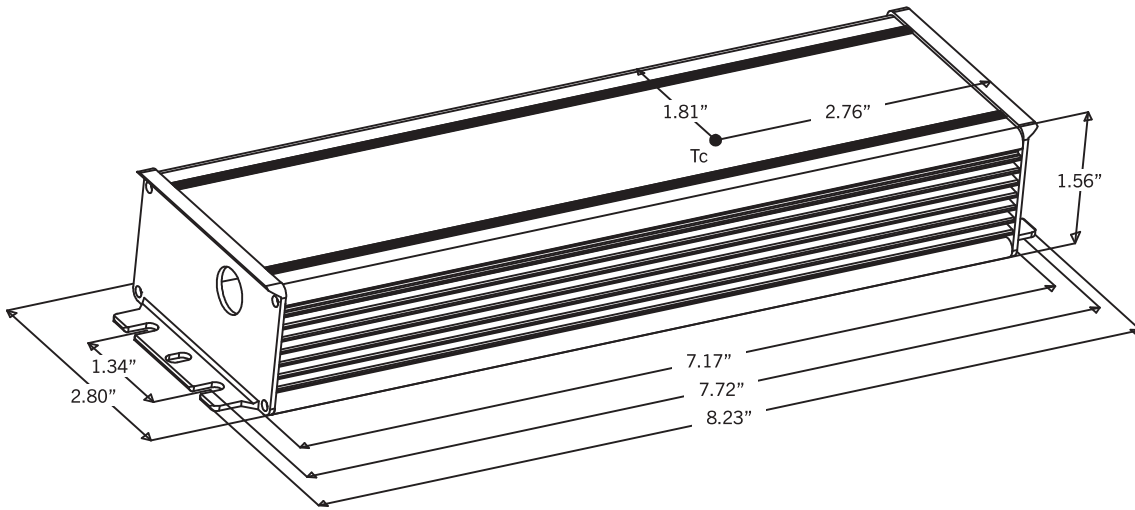
UL/cUL	UL 8750
CE	EN61347-1, EN61347-2-13
FCC, 47CFR Part 15	ANSI C63.4:2014 Class B
EN61000-3-2	Harmonic Current Emissions Class C



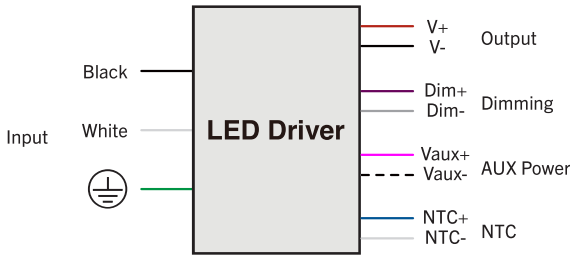
# KTLD-150-UV-A4200-56-VDIM-LW3 2900

## CONSTANT CURRENT LED DRIVER

### PHYSICAL SPECIFICATIONS



### WIRING DIAGRAM



### WIRING SPECIFICATIONS

<b>INPUT</b>	12", UL1316 #18AWG (Black and White)
<b>OUTPUT</b>	12", UL1316 #18AWG (Red and Blue)
<b>DIMMING</b>	12", UL1430 #22AWG (Purple and Pink)

### ORDERING INFORMATION

ORDER CODE	PACK QTY.	EASY CODE	UPC
KTLD-150-UV-A4200-56-VDIM-LW3 2900	TBD	HYR-97	843654141718

### CATALOG NUMBER BREAKDOWN

# KTLD-150-UV-A4200-56-VDIM-LW3 2900

- 1
- 2
- 3
- 4
- 5
- 6
- 7
- 8

- 1 Keystone Technologies LED Driver
- 2 Max. Output Wattage
- 3 120-277V Input
- 4 Output Current
- 5 Max. Output Voltage
- 6 0-10V Dimming
- 7 Case Style
- 8 mA Output Setting