



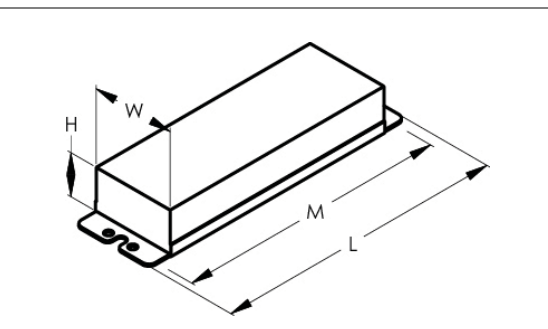
KTLD-25-1-xxx-FDIM-AF4
Constant current LED driver
Total power: 25W
Input voltage: 120Vac ± 10%
Number of outputs: One
UL 8750
IP20 design for dry and damp location
Dimmable with leading / trailing edge dimmer
5 year warranty

ELECTRICAL SPECIFICATIONS:		ENVIRONMENTAL SPECIFICATIONS:	
Input voltage range:	120Vac ± 10%	Operating temperature:	-30 to 60°C
Frequency:	50/60Hz	Storage temperature:	-40 to 85°C
Power factor:	>0.9 @full load	Humidity:	5% to 95%
Inrush current:	10A @120V	MTBF:	440,000 hours at 40°C ambient (~70°C Case temp)
Max input current:	0.27A @120V	Maximum case Temperature	90°C
THD:	<20%		
Protection:	Over voltage, Over current and Short circuit		
Withstand voltage	I/P – O/P 2k Vac		

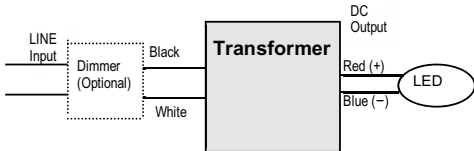
PRODUCT SPECIFICATIONS:							
Model Number	Max output power	Output Current	Output Voltage	Efficiency	Remote mounting distance (#18 AWG)	Class 2	
						US	Canada
KTLD-25-1-600-FDIM-AF4	25W	600mA	21 – 42V	82%	64 ft	√	√
KTLD-25-1-700-FDIM-AF4	25W	700mA	18 - 36V	82%	54 ft	√	√
KTLD-25-1-800-FDIM-AF4	25W	800mA	16 – 32V	82%	48 ft	√	√
KTLD-25-1-900-FDIM-AF4	25W	900mA	14 – 28V	82%	42 ft	√	√
KTLD-25-1-1000-FDIM-AF4	25W	1000mA	13 – 25V	82%	38 ft	√	√
KTLD-25-1-1100-FDIM-AF4	25W	1100mA	12 – 23V	82%	34 ft	√	√
KTLD-25-1-1200-FDIM-AF4	25W	1200mA	11 – 21V	82%	32 ft	√	√
KTLD-25-1-1300-FDIM-AF4	25W	1300mA	10 – 19V	82%	29 ft	√	√
KTLD-25-1-1380-FDIM-AF4	25W	1380mA	9 – 18V	82%	27 ft	√	√

SAFETY AND EMC COMPLIANCE:	
UL/cUL	UL 8750
FCC, 47CFR Part 15	Class B Consumer Limit
EN61000-3-2	

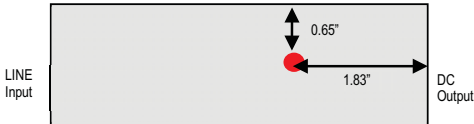
PHYSICAL DIMENSIONS:	
Length (L):	5.49"
Width (W):	1.30"
Height (H):	0.82"
Mounting (M):	5.20"
Weight:	0.14 kg
WIRE SPECIFICATIONS:	
Input:	12", UL 1316 #18AWG (Black and White)
Output:	12", UL 1316 #18AWG (Red and Blue)



WIRING DIAGRAM:



HOTTEST SPOT LOCATIONS:



LIFETIME / CASE TEMP:

TBD