



KTLD-25-UV-SC1050-56-VDIM-AQ7

CONSTANT CURRENT PROGRAMMABLE LED DRIVER

DESCRIPTION

LED Driver | 25W | 120-277V Input | 350-1050mA Programmable Output Current



TOTAL POWER: 25W	OUTPUT CURRENT: 350-1050mA
INPUT VOLTAGE: 120-277Vac \pm 10%	DIMMING: 0-10V
INPUT FREQUENCY: 50/60 Hz	WARRANTY: 10 year limited



PRODUCT FEATURES

- Meets FCC Part 15 (Class B) consumer limits
- Short circuit overload and open load protection
- Dimmable with 0–10V dimmer (down to 1% at max. output current)
- THD: < 20%
- Programmable output current via Keystone supplied programming jig
- -40°C/-40°F to 50°C/122°F operating temperature
- 90°C/194°F maximum case temperature
- Input frequency: 50/60 Hz
- Class A Sound Rating

PROGRAMMING FEATURES

- Drive Current (10mA Increments)
- Minimum Dimming Level (1%,3%, 5%,7%, or 10%)
- Dimming Curve (Linear, Log, Inverse Log, or Square-law)
- Minimum Dimming Voltage (1V, 1.5V, or 2V)
- Maximum Dimming Voltage (7V, 8V, or 9V)
- Dim-to-off Voltage (.8V, 1V, 1.2V, or N/A)
- Thermal Foldback Temperature (75°C, 80°C, 85°C, or 90°C)

WHAT'S NEEDED? A SmartCurrent Programmable LED Driver, the SmartCurrent Cradle, and a computer.



REQUIRED ACCESSORIES

Order Code	Description
KTLD-SC-ADPT-1D	AQ7 Case Adapter for Smart Current Programming Cradle
KTLD-SC-PGMR-1	Smart Current Programming Cradle with Micro-USB Cable

ELECTRICAL SPECIFICATIONS

Input Voltage Range	120-277Vac \pm 10%
Frequency	50/60 Hz
Power Factor	>0.9 under 120~277Vac Input with 80~100% Load Condition (For All Output Currents)
Inrush Current	20A @277V
Max. Input Current	TBD
THD	< 20% under 120~277Vac input with 80~100% load condition (For All Output Currents)
Load Regulation	\pm 2%
Line Regulation	\pm 1%
Output Tolerance	\pm 5% at Full Load Condition, \pm 10% for Aux 12Vdc
Turn-On Delay Time	< 0.5 Seconds at 50~100% load, input 120V
Overshoot	< 10% at Full Load Condition
No Load Power Consumption	< 1W
Ripple and Noise (pk-pk)	< 3%
Withstand Voltage	Input to output, 2,800Vdc, 2mA
Surge Rating	2.5KV for Combination Wave / Ring Wave
Leakage Current	Maximum 0.5mA at 277Vac, 60Hz input
Protection	<ul style="list-style-type: none"> • Over Voltage Protection: Hiccup mode. Protection will trigger when load voltage exceed specified output voltage and will auto recover after the fault mode is removed. • Over Current Protection: Hiccup mode. Protection will trigger when load current exceed specified output current and will auto recover after the fault mode is removed. • Short Circuit Protection: Hiccup mode. Protection will trigger when short circuit and will auto recover after the fault mode is removed. • Over Temperature Protection: Protection will trigger when driver overheat and auto-recovery when cooled down.



KTLD-25-UV-SC1050-56-VDIM-AQ7

CONSTANT CURRENT PROGRAMMABLE LED DRIVER

PRODUCT SPECIFICATIONS

Max. Output Power	Output Current	Output Voltage	OCV	Typical Efficiency at 120V	Typical Efficiency at 240V	Typical Efficiency at 277V	Remote Mounting Distance (#18 AWG)	Class 2	
								US	Canada
25W	350-1050mA	10-56V	60V	TBD	TBD	TBD	13 ft.	3	

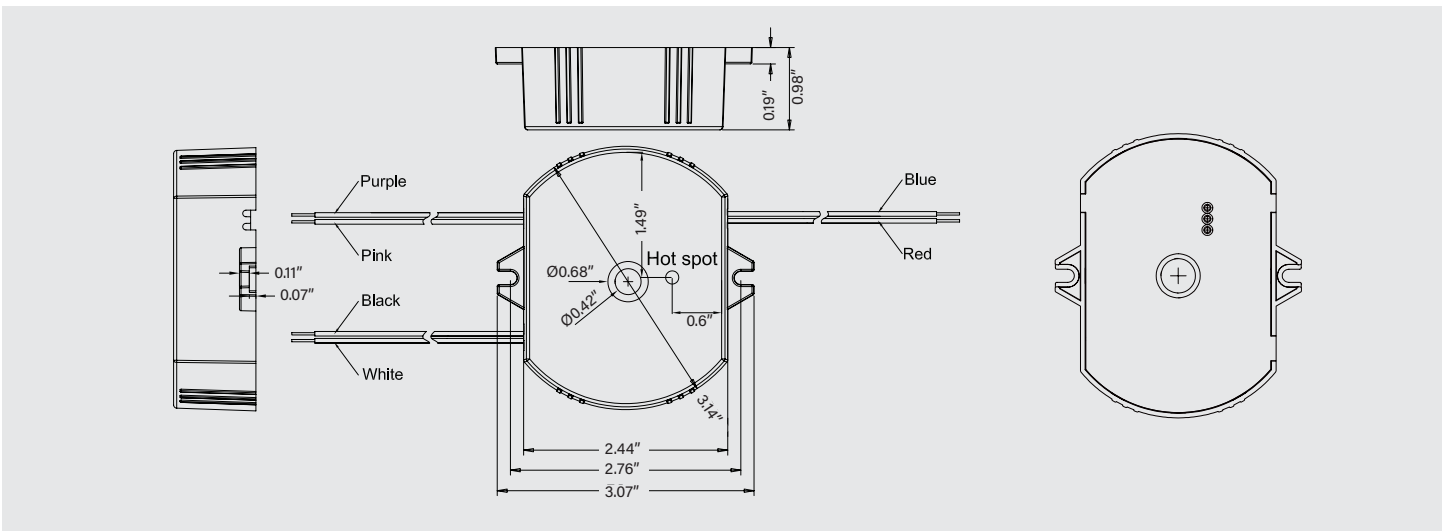
PHYSICAL SPECIFICATIONS

	LENGTH	3.15"
	WIDTH	3.07"
	HEIGHT	1.00"
	MOUNTING	2.76"
	CASE STYLE	AQ7
	CASE MATERIAL	Plastic

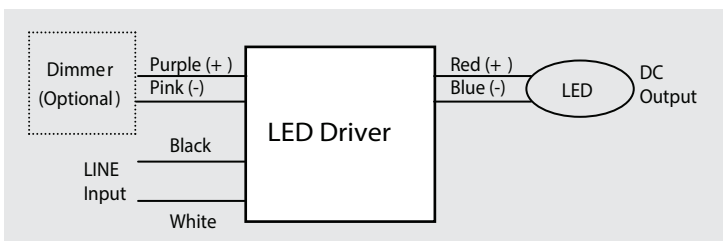
WIRING SPECIFICATIONS

INPUT	12", UL 1316 #18AWG (Black and White)
OUTPUT	12", UL 1316/1430 #22AWG (Red and Blue)
DIMMING	12", UL 1316/1430 #22AWG (Purple and Pink)

WIRE SPECIFICATIONS



WIRE DIAGRAM

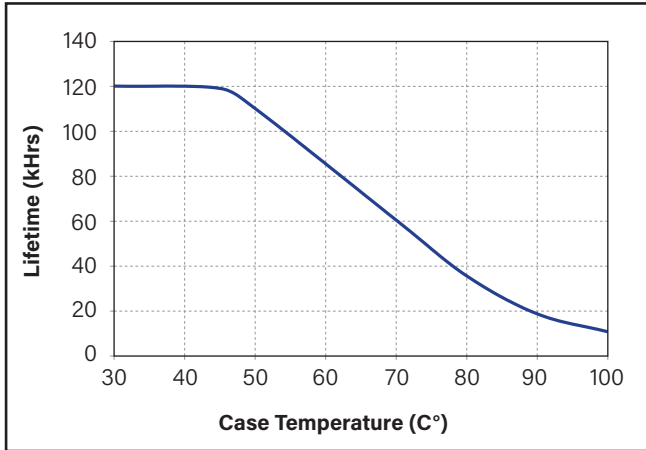




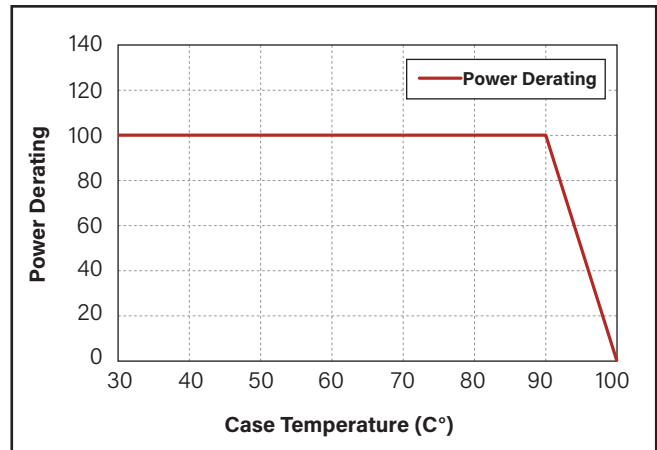
KTLD-25-UV-SC1050-56-VDIM-AQ7

CONSTANT CURRENT PROGRAMMABLE LED DRIVER

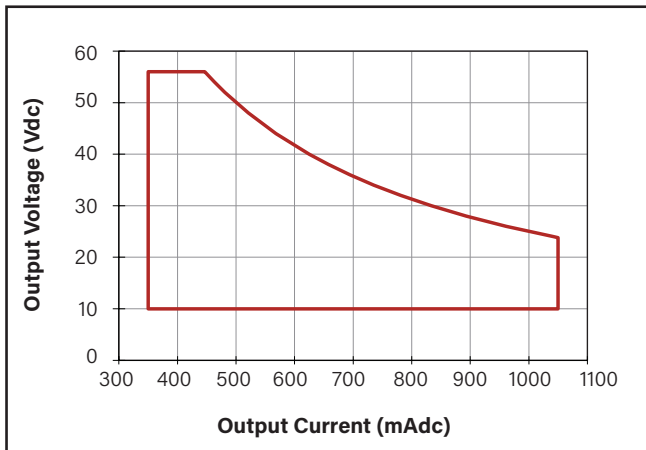
LIFETIME VS CASE TEMPERATURE



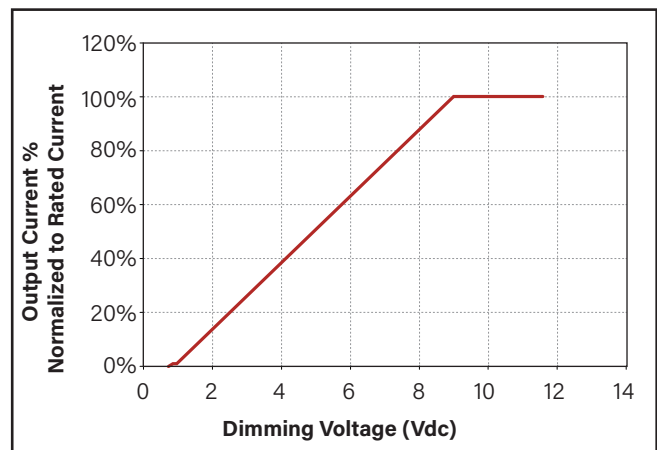
POWER DERATING VS CASE TEMPERATURE



LED DRIVER OUTPUT WINDOW



DIMMING CURVE





KTLD-25-UV-SC1050-56-VDIM-AQ7

CONSTANT CURRENT PROGRAMMABLE LED DRIVER

ENVIRONMENTAL SPECIFICATIONS

Operating Temperature	-40 to 50°C
Storage Temperature	-40 to 85°C
Humidity	5% to 95%
MTBF	TBD
Life Rating	85,000 hours at 120Vac input, 100% load and 60°C case temperature
Maximum Case Temperature	90°C
Maximum Case Temperature (tc) for 5-Year Warranty	75°C/167°F

SAFETY AND EMC COMPLIANCE

UL/cUL	UL 8750 pending, Class P, UL1310 Class 2
CE	EN61347-1, EN61347-2-13
FCC, 47CFR Part 15	ANSI C63.4:2009 Class B (Consumer Limit)
EN61000-3-2	Harmonic Current Emissions Class C

ORDERING INFORMATION

Order Code	Packaging Style	UPC	Easy Code
KTLD-25-UV-SC1050-56-VDIM-AQ7	Carton Pack	843654151632	EAM-63

CATALOG NUMBER BREAKDOWN

KTLD-25-UV-SC1050-56-VDIM-AQ7

1

2

3

4

5

6

7

8

- 1** Keystone Technologies LED Driver
- 2** Max. Output Wattage
- 3** 120-277V Input
- 4** Smart Current
- 5** Max. Output Current
- 6** Max. Output Voltage
- 7** 0-10V Dimming
- 8** Case Style