

## KTLD-2LT8-UV-10C-VDIM /G2

### CONSTANT CURRENT LED DRIVER FOR TYPE C T8 LAMPS

#### DESCRIPTION

Constant Current Output | 120-277V Input | 0-10V Dimming



RoHS  
Compliant



**7YEAR**  
WARRANTY



**DRIVER TYPE:** Constant Current

**MAX. OUTPUT POWER:** 24.3W

**INPUT VOLTAGE:** 120-277Vac ±10%

**OUTPUT VOLTAGE:** 36~45 Vdc

**OUTPUT CURRENT:** 260mA x 2 channels

**WARRANTY:** 7 Years

#### PRODUCT FEATURES

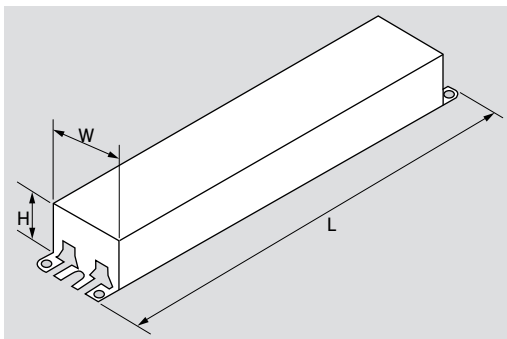
- Compatible with Keystone External Drive T8 LED Lamps
- Meets FCC Part 15 (Class B) consumer limits
- Short circuit overload and open load protection
- Type 1 outdoor, suitable for dry and damp locations
- UL8750 recognized component
- Dimmable with 0–10V dimmer, minimum dim 10%
- Operating temperature: -20°C/-4°F to 45°C/113°F
- 85°C/185°F maximum case temperature
- Input frequency: 50/60 Hz
- THD: < 20%
- 70,000 hour lifetime

#### ELECTRICAL SPECIFICATIONS

INPUT CHARACTERISTICS				OUTPUT CHARACTERISTICS			FEATURES
Input Voltage	Input Power	Power Factor	Max. Current	Max. Output Power	Rated Output Current	Output Voltage	Efficiency
120-277Vac	28.8W	>0.9	0.24A @ 120V	24.3W	260mA x 2 Channels	36-45Vdc	88%

#### MECHANICAL SPECIFICATIONS

##### CASE DIMENSIONS



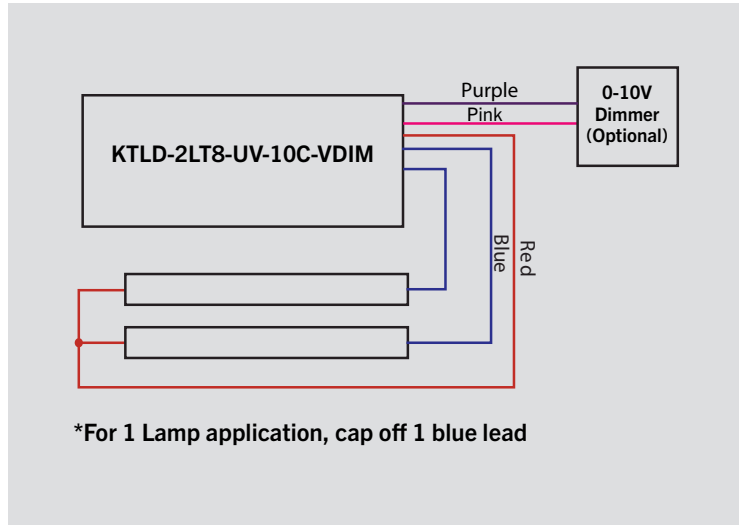
LENGTH (L)	9.50"
WIDTH (W)	1.33"
HEIGHT (H)	1.10"

\*TC Point (85°C) is noted on each driver label

# KTLD-2LT8-UV-10C-VDIM /G2

## CONSTANT CURRENT LED DRIVER FOR TYPE C T8 LAMPS

**WIRING**



**STANDARD LEAD LENGTHS\***

Input	Black	30.00"
	White	30.00"
Output	Red	30.00"
	Blue	30.00"
Dimming	Purple	30.00"
	Pink	30.00"

Lead wires are 18 AWG 105° C/600V.  
\*Consult Keystone for special lead length requirements.

**ORDERING INFORMATION**

ORDER CODE	PACKAGING STYLE	UPC	EASY CODE
KTLD-2LT8-UV-10C-VDIM-CP /G2	Carton Pack	843654141053	DLF-77

**CATALOG NUMBER BREAKDOWN**

# KTLD-2LT8-UV-10C-VDIM-CP /G2

- |          |          |          |          |          |          |          |          |
|----------|----------|----------|----------|----------|----------|----------|----------|
| <b>1</b> | <b>2</b> | <b>3</b> | <b>4</b> | <b>5</b> | <b>6</b> | <b>7</b> | <b>8</b> |
|----------|----------|----------|----------|----------|----------|----------|----------|
- 1** Keystone Technologies LED Driver
  - 2** # of Lamps
  - 3** Lamp Type
  - 4** 120-277V Input
  - 5** Lamp Wattage
  - 6** 0-10V Dimming
  - 7** Packaging Style
  - 8** Generation 2