



KTLD-40-UV-1100-VDIM-LA3

CONSTANT CURRENT LED DRIVER



DESCRIPTION

LED Driver | 40W | 120–277V Input | 1100mA Output

TOTAL POWER: 40W
INPUT VOLTAGE: 120–277Vac ±10%
INPUT FREQUENCY: 50/60 Hz
OUTPUT CURRENT: 1100mA
DIMMING: 0–10V
LOCATION TYPE: UL Type 1 outdoor rated for dry and damp locations
WARRANTY: 5 Years

ELECTRICAL SPECIFICATIONS

Input Voltage Range	120–277Vac ±10%
Frequency	50/60 Hz
Power Factor	>0.9 under 120–277Vac Input with 80–100% load condition (for all output currents)
Inrush Current	<30A @120V, <50A @277V
Max. Input Current	0.41A @120V
THD	<20% under 120–277Vac input with 80–100% load condition (for all output voltages)
Load Regulation	± 5%
Line Regulation	± 5%
Output Tolerance	± 5% at full load condition
Turn-On Delay Time	<0.5 second at full load condition
Ripple Factor (pk–pk/[2*mean])	<5%
Withstand Voltage	Input to output, 2,800Vdc, <5mA
Leakage Current	Maximum 0.5mA at 277Vac, 60Hz input
Protection	<ul style="list-style-type: none"> Over Voltage Protection: When operating under any line condition into any over voltage of load condition for an indefinite period of time, the power supply shall be self-recovering when fault condition is removed. Over Current Protection: When operating under any line condition into any over load condition for an indefinite period of time, the power supply shall be self-recovering when fault condition is removed. Short Circuit Protection: When operating under any line condition into a short circuit condition for an indefinite period of time, the power supply shall be self-recovering when fault condition is removed.

PRODUCT SPECIFICATIONS

Model Number	Max. Output Power	Output Current	Output Voltage	OCV	Typical Efficiency at 120V	Typical Efficiency at 277V	Class 2	
							US	Canada
KTLD-40-UV-1100-VDIM-LA3	40W	1100mA	21–34V	50V	84%	86%	✓	✓

ENVIRONMENTAL SPECIFICATIONS

Operating temperature	–20°C/–4°F to 55°C/131°F
Storage temperature	–40°C/–40°F to 85°C/185°F
Humidity	5% to 95%
Life rating	>50,000 hours at 120Vac input, 100% load and Tc = 90°C/194°F
Maximum case temperature	90°C/194°F

SAFETY AND EMC COMPLIANCE

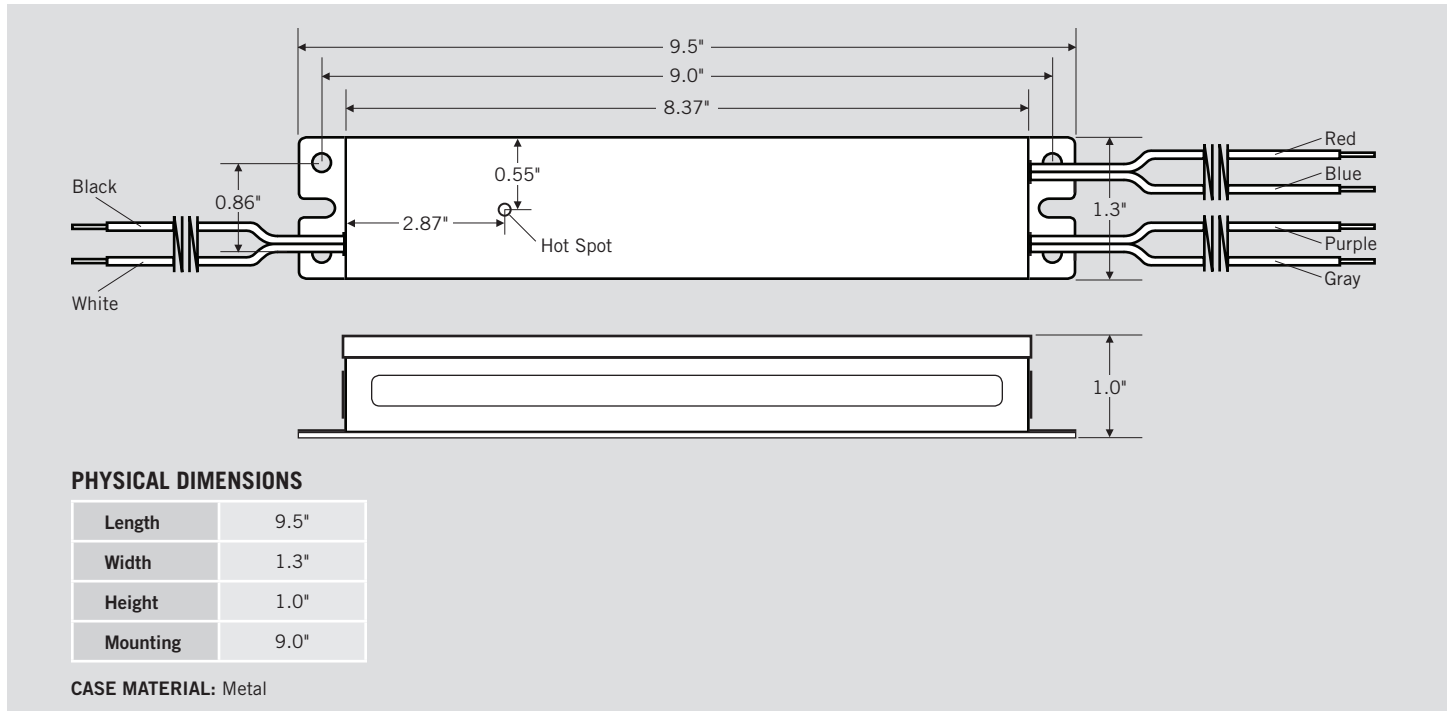
UL/cUL	UL 8750 Class P, Type HL
FCC, 47CFR Part 15	ANSI C63.4:2009 Class B @120Vac, Class A @277Vac
EN61000-3-2	Harmonic Current Emissions Class C



KTLD-40-UV-1100-VDIM-LA3

CONSTANT CURRENT LED DRIVER

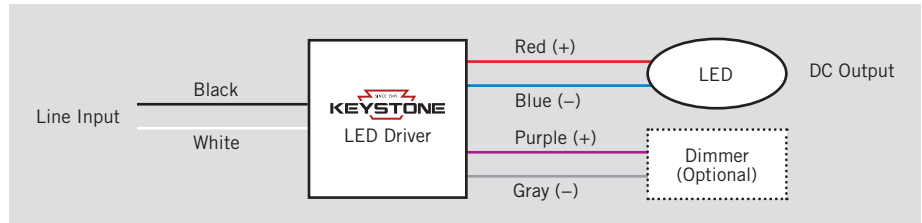
PHYSICAL SPECIFICATIONS



WIRING SPECIFICATIONS

Input	Black, White: 12", UL 1316 #18AWG
Output	Red, Blue: 12", UL 1316 #18AWG
Dimming	Purple, Gray: 12", UL 1316 #18AWG

WIRING DIAGRAM



ORDERING INFORMATION

ORDER CODE	PACKAGING STYLE	PACK QUANTITY	ITEM STATUS
KTLD-40-UV-1100-VDIM-LA3-CP	Carton Pack	TBD	Quick Ship

CATALOG NUMBER BREAKDOWN

KTLD-40-UV-1100-VDIM-LA3-CP

1

2

3

4

5

6

7

- | | |
|------------------------------------|-------------------|
| 1 Keystone Technologies LED Driver | 5 0–10V Dimming |
| 2 Max. Output Wattage | 6 Case Style |
| 3 120–277V Input | 7 Packaging Style |
| 4 Output Current | |