



EXTERNAL DRIVE LED

TYPE C LED TUBES

KTLD-XLT8-UV-PS15C-BL-VDIM

CONSTANT CURRENT LED DRIVER FOR TYPE C T8 LAMPS

DESCRIPTION

LED Driver | 30W / 60W | 120-277V Input | 300/240/180mA x 2 or 4 Channels
12V Aux | Power Select | Bi-Level Dimming | 0-10V Dimming



Class 2 Class P     **10 YEAR LIMITED WARRANTY**

PRODUCT FEATURES

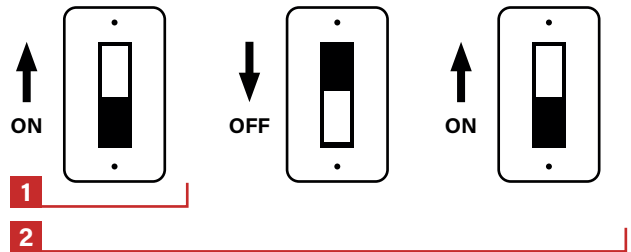
- Compatible with Keystone External Drive T8 Color Select LED Lamps
- **Bi-Level Dimming:**
Toggle Between Partial & Full Brightness using Wall Switch
- Suitable for Dry and Damp Locations
- Dimmable with 0-10V Dimmer, 10% Minimum - Dim to Off
- 70,000 Hour Lifetime
- Operating Temperature: -20°C/-4°F to 45°C/113°F
- Power Factor > 0.9
- DLC Listed
- 12V Aux Power Tap
- Power Selectable: 300mA / 240mA / 180mA per channel
- 2 and 4 channel options
- Linear Form Factor, Metal Casing
- 2.5kV Ring Wave, 2kV Combination Wave

MODE 1 Partial Brightness (settable to 50/70/100%)

Flip wall switch to ON position

MODE 2 Full Brightness (100%)

Flip wall switch twice within 5 seconds



PRODUCT SPECIFICATIONS

Catalog Numbers	Input Characteristics				Output Characteristics			
	Input Voltage	Input Max. Power	Input Max Current	Power Factor	Max Output Power	Max Output Current (per Channel)	Output Voltage	Efficiency
KTLD-2LT8-UV-PS15C-BL-VDIM	120/277Vac	37W	0.31	>0.9	30W	300mA	25-48Vdc	86%
KTLD-4LT8-UV-PS15C-BL-VDIM	120/277Vac	71W	0.60A	>0.9	60W	300mA	25-48Vdc	86%

ENVIRONMENTAL SPECIFICATIONS

Operating Temperature	-20°C/-4°F to 45°C/113°F
Storage Temperature	-20°C/-4°F to 45°C/113°F
Humidity	5% to 95%
Life Rating	70,000 hours at 120Vac input, 100% load and 25°C/77°F ambient temperature
Maximum Case Temperature	90°/194°F
Maximum Case Temperature (tc) for 5-Year Warranty	80°C/176°F

SAFETY AND EMC COMPLIANCE

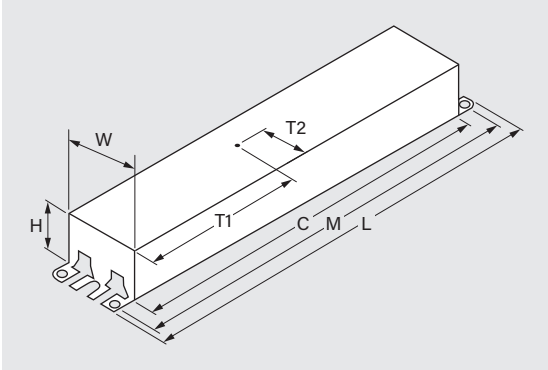
UL/cUL	UL 8750, Class P, UL1310 Class 2
FCC, 47CFR Part 15	ANSI C63.4:2009 Class B (Consumer Limit)

KTLD-XLT8-UV-PS15C-BL-VDIM

CONSTANT CURRENT LED DRIVER FOR TYPE C T8 LAMPS

PHYSICAL SPECIFICATIONS

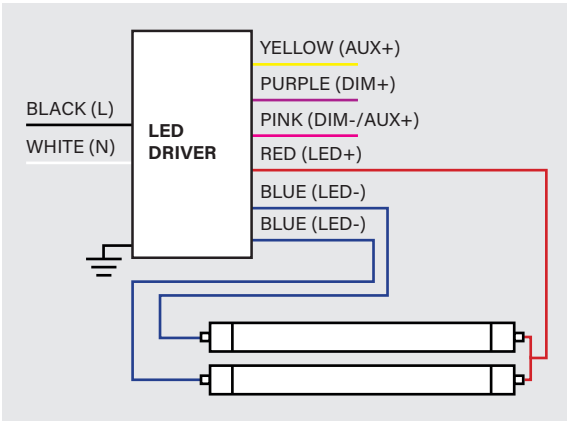
CASE DIMENSIONS



Length (L)	11.02"
Mounting Length (M)	10.49"
Case Length (C)	9.58"
Width (W)	1.18"
Height (H)	0.87"
Tc Point (T1)	4.50"
Tc Point (T2)	0.59"

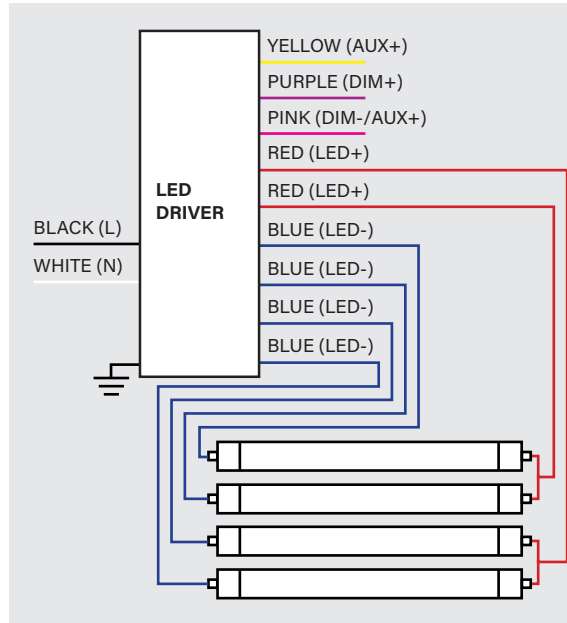
WIRING DIAGRAM

KTLD-2LT8-UV-PS15C-BL-VDIM



*For 1 Lamp application, cap off 1 blue lead

KTLD-4LT8-UV-PS15C-BL-VDIM



*For 3 Lamp application, cap off 1 blue lead

STANDARD LEAD LENGTHS*

Input	Black	30.00"
	White	30.00"
Output	Red	30.00"
	Blue	30.00"
	Purple	30.00"
	Pink	30.00"
	Yellow	30.00"

Input Wires are 18 AWG
105°C / 600V

Output Wires are 20 AWG
105°C / 300V

*Consult Keystone for special lead length requirements.



KTLD-XLT8-UV-PS15C-BL-VDIM

CONSTANT CURRENT LED DRIVER FOR TYPE C T8 LAMPS

ORDERING INFORMATION

ORDER CODE	PACKAGING STYLE	PACK QUANTITY	UPC	EASY CODE
KTLD-2LT8-UV-PS15C-BL-VDIM	Carton Pack	25	843654177359	CJZ-81
KTLD-4LT8-UV-PS15C-BL-VDIM	Carton Pack	25	843654177366	QFU-06

CATALOG NUMBER BREAKDOWN

KTLD-XLT8-UV-PS15C-BL-CR-VDIM

1
2
3
4
5
6
7
8
9
10

- | | |
|---|--|
| <ul style="list-style-type: none"> 1 Keystone Technologies LED Driver 2 Number of Lamps 3 Lamp Type 4 120-277V Input 5 Power Select | <ul style="list-style-type: none"> 6 Maximum Lamp Wattage 7 Type C 8 Bi-Level Dimming 9 Aux Power 10 0-10V Dimming |
|---|--|